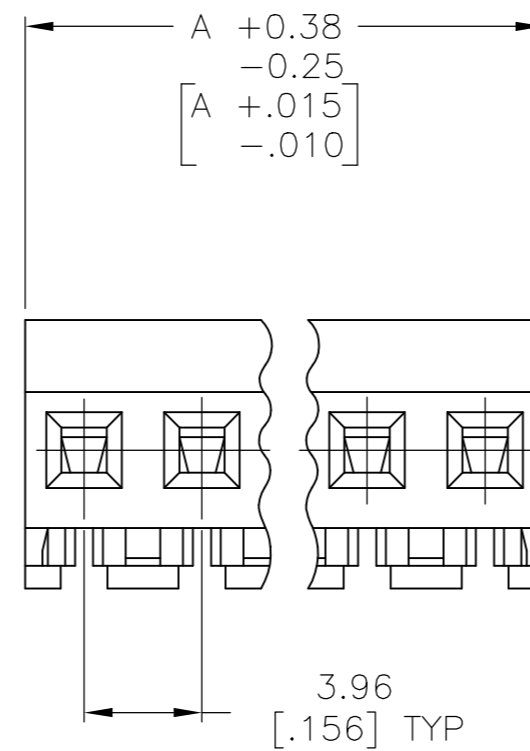
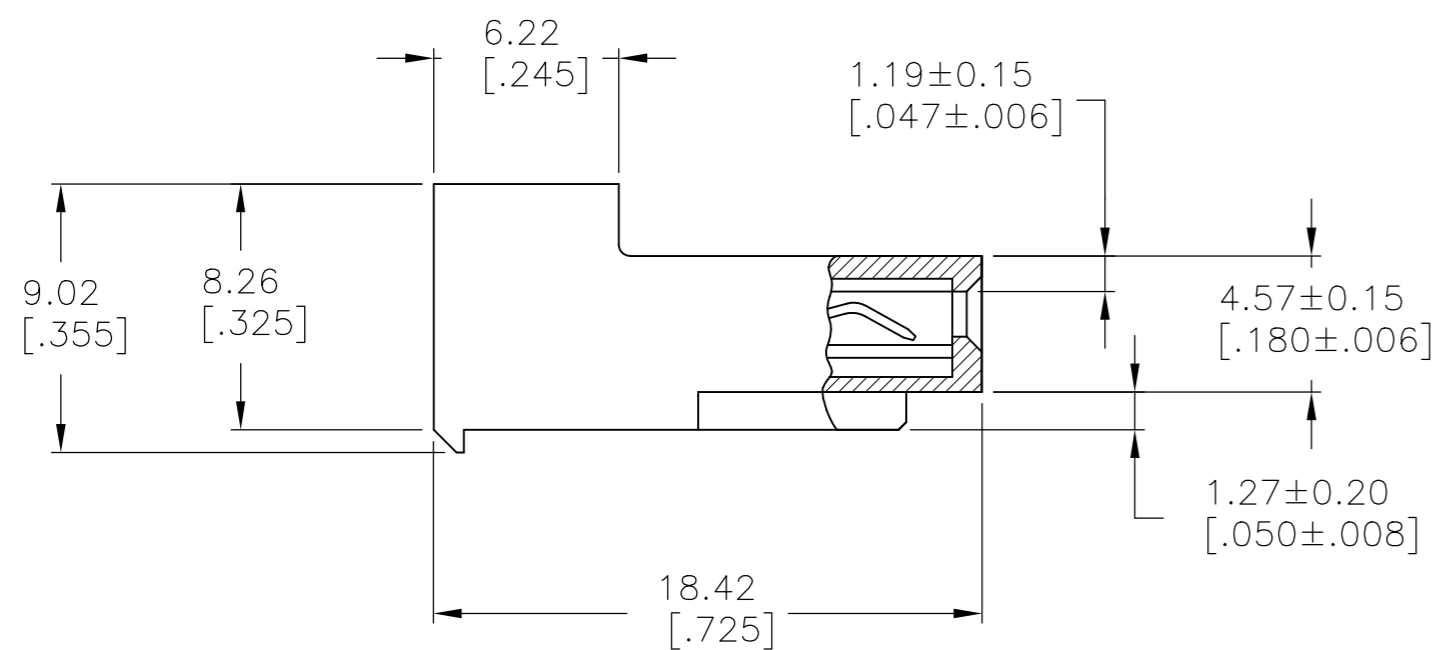
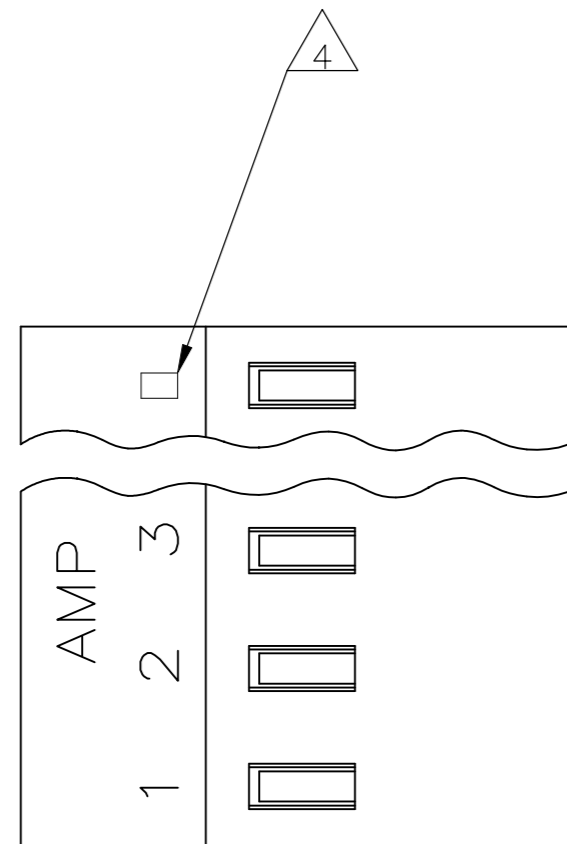


THIS DRAWING IS UNPUBLISHED. RELEASED FOR PUBLICATION
 © COPYRIGHT - TE Connectivity Ltd. ALL RIGHTS RESERVED.

REVISIONS				
P	LTR	DESCRIPTION	DATE	DWN / APVD
	D2	REVISED PER ECR-17-018283	07FEB2018	BDA / SG



1 MATERIAL: CONNECTOR - NYLON UL94V-0 (BLACK).
 CONTACTS - 0.30[.012] THICK COPPER ALLOY (BRIGHT-TIN LEAD 0.00203 [.000080] MIN THK FOR CONTACTS 644501-2 THRU 1-644501-2, MATTE WHISKER MITIGATED TIN 0.00203 (.000080) MIN THICKNESS OVER NICKEL UNDERPLATE FOR 3-644501-2 THRU 4-644501-2)

- 2. CONTACTS ACCEPT 22 AWG WIRE WITH 2.41[.095] MAX INSULATION DIAMETER.
- 3. CONTACTS MUST ACCEPT 1.14±0.03[.045±.001] SQUARE POST AND REMAIN LOCKED IN POSITION.
- 4 IDENTIFICATION NUMBER FOR LAST CIRCUIT MAY NOT APPEAR ON ALL ASSEMBLIES.
- 5. DIMENSIONS IN BRACKETS ARE IN INCHES.
- 6. HOUSING FEATURES ARE: CLOSED END WITHOUT LOCKING RAMP.

- 7 OBSOLETE PARTS: OBSOLETE CIS STREAMLINING PER D.RENAUD/D.SINISI
- 8 OBSOLETE PARTS

	47.55 [1.872]	12	4-644501-2	
	43.59 [1.716]	11	4-644501-1	
	39.62 [1.560]	10	4-644501-0	
	35.66 [1.404]	9	3-644501-9	
	31.70 [1.248]	8	3-644501-8	
	27.74 [1.092]	7	3-644501-7	
	23.77 [.936]	6	3-644501-6	
	19.81 [.780]	5	3-644501-5	
	15.85 [.624]	4	3-644501-4	
	11.89 [.468]	3	3-644501-3	
	7.92 [.312]	2	3-644501-2	
7	SUPERSEDED	47.55 [1.872]	12	4-644501-2
7	SUPERSEDED	43.59 [1.716]	11	4-644501-1
8	SUPERSEDED	39.62 [1.560]	10	4-644501-0
		35.66 [1.404]	9	3-644501-9
		31.70 [1.248]	8	3-644501-8
		27.74 [1.092]	7	3-644501-7
		23.77 [.936]	6	3-644501-6
		19.81 [.780]	5	3-644501-5
		15.85 [.624]	4	3-644501-4
		11.89 [.468]	3	3-644501-3
		7.92 [.312]	2	3-644501-2
		DIM A	NO. OF CIRCUITS	PART NO.

THIS DRAWING IS A CONTROLLED DOCUMENT.		DWN B. LEWIS 12FEB91	TE Connectivity Ltd.	
DIMENSIONS: mm [INCHES]		CHK R. SWING 12FEB91		
TOLERANCES UNLESS OTHERWISE SPECIFIED:		APVD D. CLARK 20FEB91	NAME MTA 156 CONNECTOR ASSEMBLY, 22 AWG,UL94V-0, SPECIAL	
0 PLC ± -		PRODUCT SPEC 108-1051		
1 PLC ± -		APPLICATION SPEC 114-1020		
2 PLC ± -		WEIGHT	SIZE A2	CAGE CODE 00779
3 PLC ± -		FINISH	DRAWING NO 644501	RESTRICTED TO -
4 PLC ± -			SCALE 4:1	SHEET 1 of 1
ANGLES ± -				REV D2
MATERIAL		CUSTOMER DRAWING		

Mouser Electronics

Authorized Distributor

Click to View Pricing, Inventory, Delivery & Lifecycle Information:

[TE Connectivity:](#)

[4-644501-0](#)