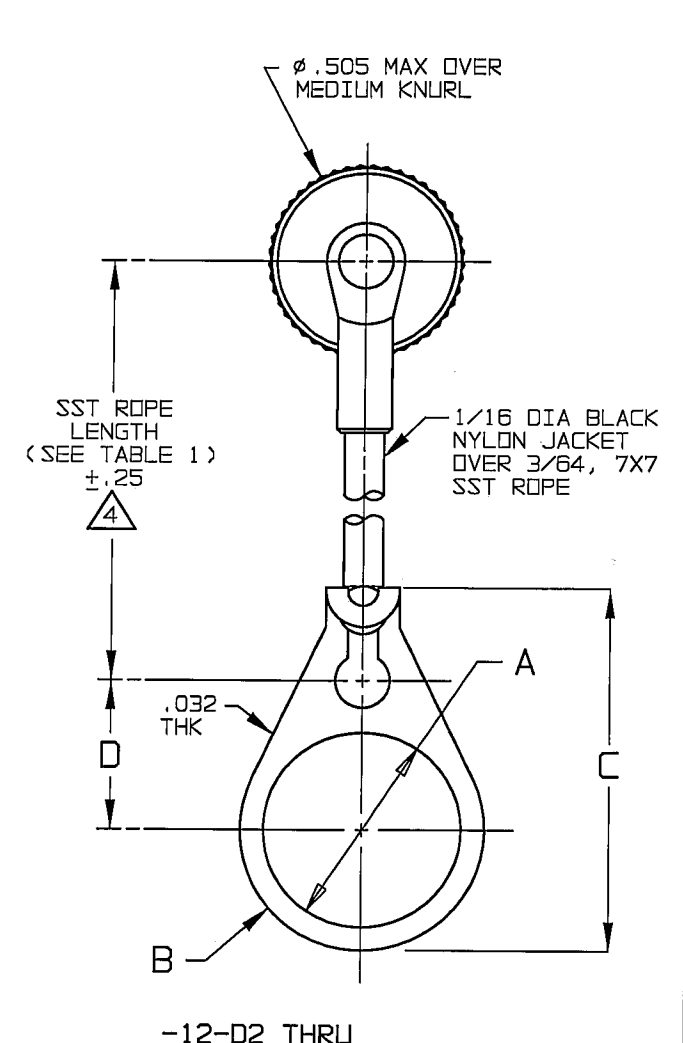
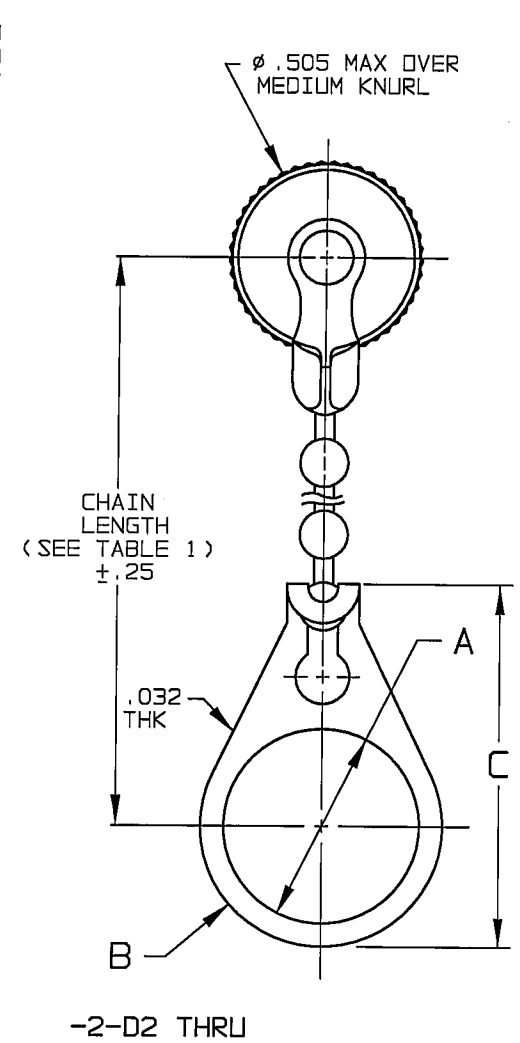
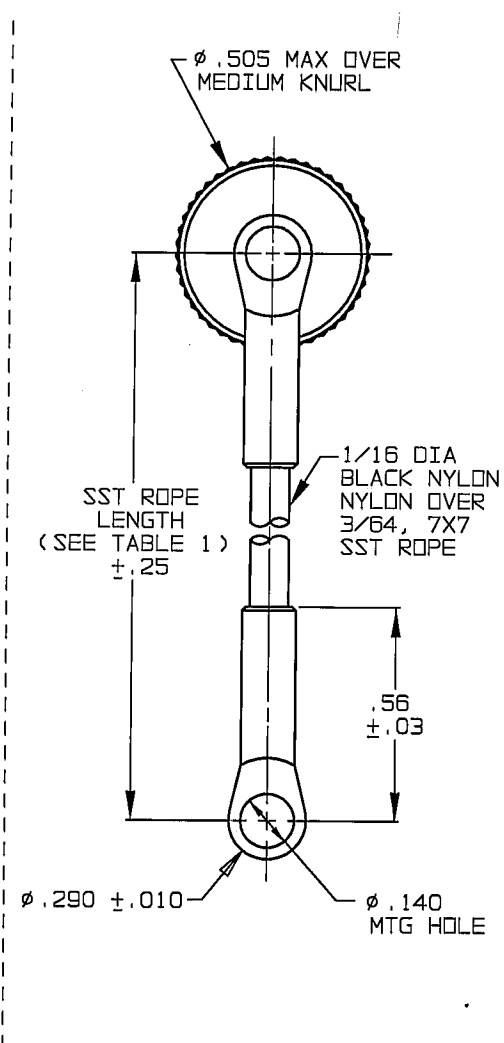
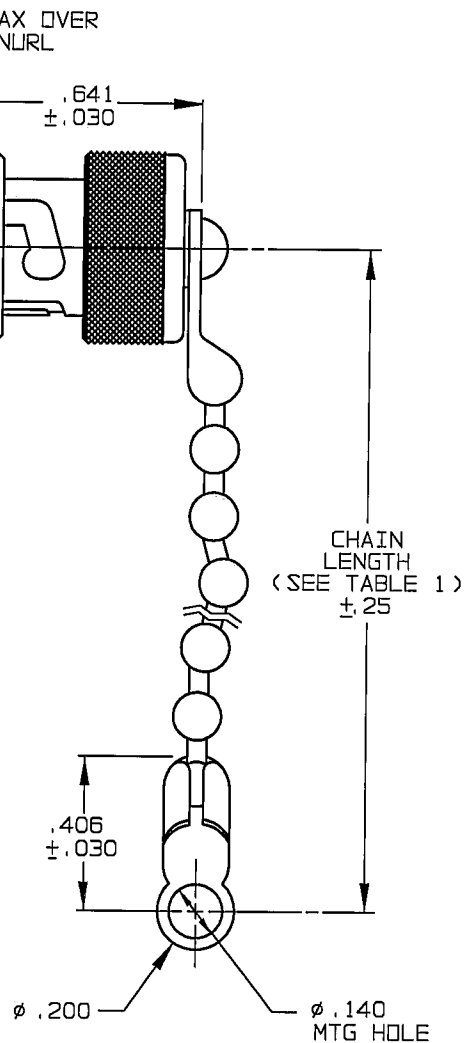
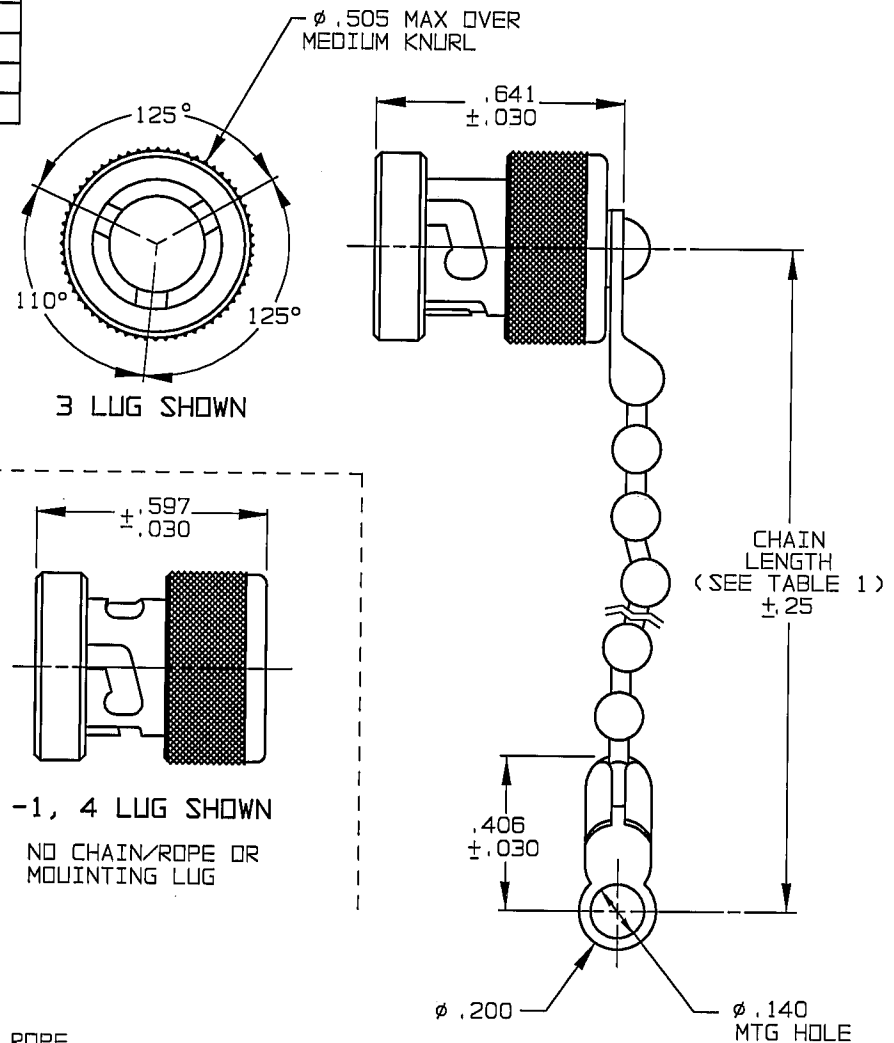


DATA CONTAINED IN THIS DOCUMENT IS PROPRIETARY TO TROMPETER ELECTRONICS INC. AND SHALL NOT BE DISCLOSED, COPIED OR USED FOR PROCUREMENT OR MANUFACTURE WITHOUT EXPRESS WRITTEN PERMISSION OF TROMPETER ELECTRONICS INC.

| REVISIONS |                        | 1-0064   | SH 1C              |
|-----------|------------------------|----------|--------------------|
| REV       | DESCRIPTION            | DATE     | APPROVED           |
| H         | REVISED PER ECO #13746 | 12/11/00 | <i>[Signature]</i> |

| DASH NO | DESCRIPTION               |
|---------|---------------------------|
| -1      | CAP (NO CHAIN)            |
| -2      | CAP WITH 2.5 BRASS CHAIN  |
| -3      | CAP WITH 2.5 NYLON CHAIN  |
| -4      | CAP WITH 3.0 BRASS CHAIN  |
| -5      | CAP WITH 3.0 NYLON CHAIN  |
| -6      | CAP WITH 6.0 BRASS CHAIN  |
| -7      | CAP WITH 6.0 NYLON CHAIN  |
| -8      | CAP WITH 4.0 BRASS CHAIN  |
| -9      | CAP WITH 4.0 NYLON CHAIN  |
| -10     | CAP WITH 10.0 BRASS CHAIN |
| -11     | CAP WITH 10.0 NYLON CHAIN |
| -12     | CAP WITH 2.5 SST ROPE     |
| -13     | CAP WITH 3.0 SST ROPE     |
| -14     | CAP WITH 6.0 SST ROPE     |
| -15     | CAP WITH 4.0 SST ROPE     |
| -16     | CAP WITH 7.0 SST ROPE     |
| -17     | CAP WITH 4.5 SST ROPE     |

| DASH NO | "A" $\phi$ | "B" $\phi$ | "C" DIM | "D" DIM |
|---------|------------|------------|---------|---------|
| -02     | .630       | .750       | 1.066   | .450    |
| -03     | .505       | .625       | .941    | .388    |
| -04     | .439       | .562       | .878    | .355    |
| -05     | .380       | .500       | .816    | .325    |
| -06     | .317       | .437       | .753    | .295    |
| -07     | .281       | .406       | .722    | .278    |
| -08     | .610       | .750       | 1.066   | .450    |
| -09     | .567       | .687       | 1.003   | .419    |
| -008    | .330       | .450       | .766    | .300    |



NOTE THAT LENGTH FOR SST ROPE WITH MOUNTING LUG OPTION IS NOT MEASURED TO CENTER OF BULKHEAD MOUNTING LUG

3. EXAMPLE OF COMPLETE MODEL NO:  
**RFI455-2-D3**  
 BASIC MODEL NO: RFI455 (3 LUG) / RFI455FL (4 LUG)  
 BULKHEAD JACK MOUNTING LUG (OPTIONAL) AVAILABLE WITH BRASS & NYLON CHAIN OR SST ROPE (SEE TABLE 2)  
 CHAIN/ROPE MATL AND LENGTH (SEE TABLE 1)

2. 3 & 4 LUG RFI DUST CAP WITH & WITHOUT CHAIN/ROPE OR MOUNTING LUG OPTIONS

1. FINISH: TFS-1U (500 HRS SALT SPRAY)

-2 THRU -11 SHOWN  
 STANDARD CHAIN AND MOUNTING LUG

-12 THRU -17 SHOWN  
 STAINLESS STEEL ROPE AND MOUNTING LUG

-2-D2 THRU -11-DD8 SHOWN  
 STANDARD CHAIN AND BULKHEAD JACK MOUNTING LUG

-12-D2 THRU -17-DD8 SHOWN  
 STAINLESS STEEL ROPE AND BULKHEAD JACK MOUNTING LUG

|  |  |   |                         |                           |
|--|--|---|-------------------------|---------------------------|
| INTERPRET DRAWING PER MIL-STD-100 DIMENSIONS ARE IN INCHES AND INCLUDE FINISH THICKNESS UNLESS OTHERWISE SPECIFIED |  | TOL: UNLESS SPECIFIED<br>.XX<br>.XXX ±.010<br>.XXXX ANGLS |                         |                           |
| DRAWN DKC DATE 12-7-00   |  | MATERIAL:   |                         |                           |
| CHECKED <i>[Signature]</i> DATE 12/8/00  |  | FINISH: SEE NOTE: 1                                       |                         | TITLE: RFI455/ RFI455FL   |
| APPROVED <i>[Signature]</i> DATE 12-11-00  |  | SIZE: <b>B</b>  | CAGE CODE: <b>14949</b> | DRAWING NO: <b>1-0064</b> |
| NEXT ASSY: 1-0064H1  |  | SCALE: 2/1  | DATE: 6-8-87            | REV: <b>H</b>             |
|  |  | DO NOT SCALE DWG  | SHEET: 1C               |                           |

# Mouser Electronics

Authorized Distributor

Click to View Pricing, Inventory, Delivery & Lifecycle Information:

[Cinch Connectivity Solutions:](#)

[RFI455-15](#) [RFI55-18](#) [RFI455-4](#) [RFI455-12](#) [RFI55-14](#)