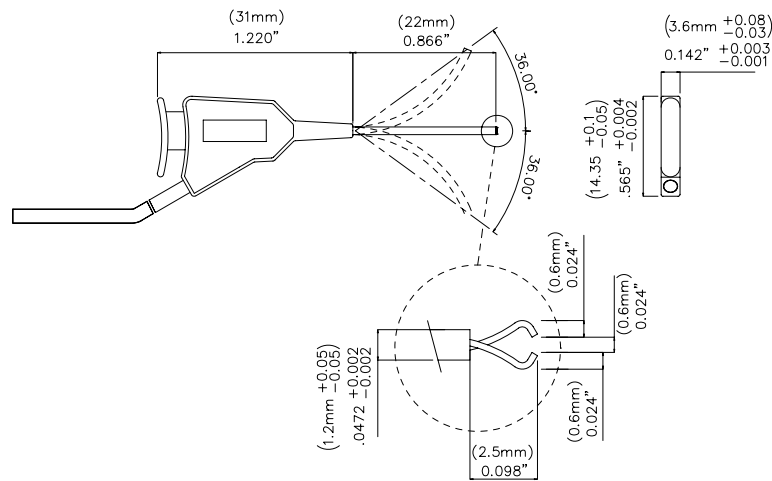


**Models 72906  
Mini SMD Grabber Test Clips**



**Mini SMD Grabber Test Clips**

**Features**

- **Designed for easy attachment to SMD chips with pitches down to 0.032" (0.80 mm)**
- Insulated shaft can be bent up to 36 degrees for versatile attachment in awkward locations or close proximity to other clips
- Rotating jaws increase versatility in connection and stacking.
- Thin (3mm) profile allows close placement to adjacent clips.
- Compatible with leads with Ø0.8 mm female connectors
- Order Pomona model number 72905-0 for clip lead for SMD Mini Grabber - 0.8mm female/4 mm female for easy attachment to standard test leads.

**Materials**

- **Insulation: Polyamide**
- **Jaws: Steel**

**Ordering Information**

Model: 72906-Color  
Available colors: Black (-0), Red (-2)

**Specifications**

Max Current Admissible	1A
Voltage; Max - Tension	33 V AC / 70 V DC
Temperature	-20° C + 80° C
Max Resistance	Less than 15 mΩ

**Rating:** *hands free testing* in controlled environment: 70Vrms max. For CE compliance: Not intended for hand-held use at voltages above 33Vrms/70Vdc

**USA:** Sales: 800-490-2361 Technical Support: 800-241-2060 Fax: 888-403-3360

**Europe:** 31-(0) 40 2675 150 **International:** 425-446-5500

e-mail: [technicalsupport@pomonatest.com](mailto:technicalsupport@pomonatest.com)

Where to Buy: [www.pomonaelectronics.com](http://www.pomonaelectronics.com)

All dimensions are in inches. Tolerances (except noted): .xx = ±.02" (.51 mm), .xxx = ±.005" (.127 mm). All specifications are to the latest revisions. Specifications are subject to change without notice. Registered trademarks are the property of their respective companies.

# Mouser Electronics

Authorized Distributor

Click to View Pricing, Inventory, Delivery & Lifecycle Information:

[Pomona:](#)

[72906-0](#) [72906-2](#)