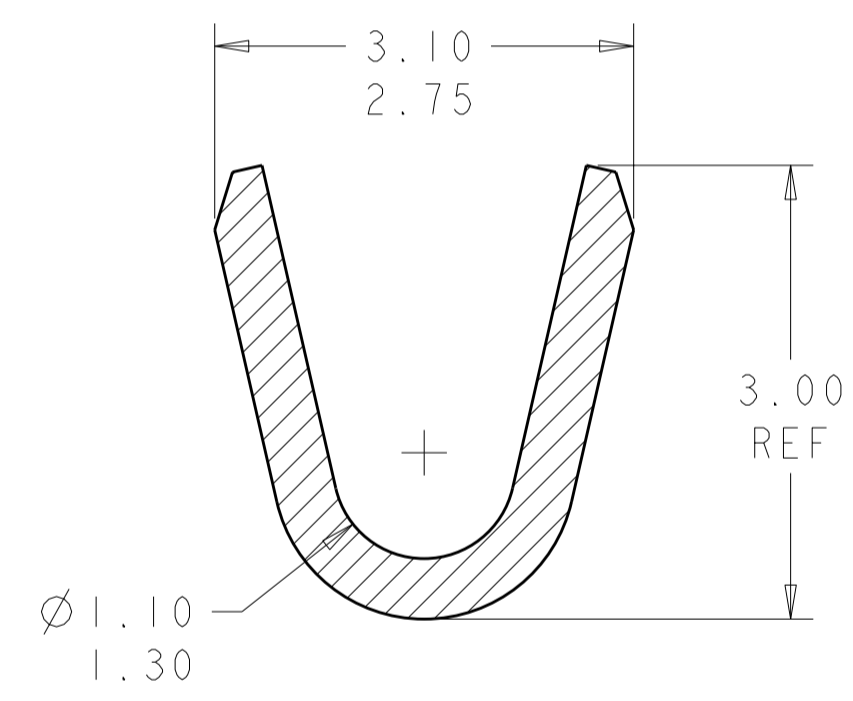
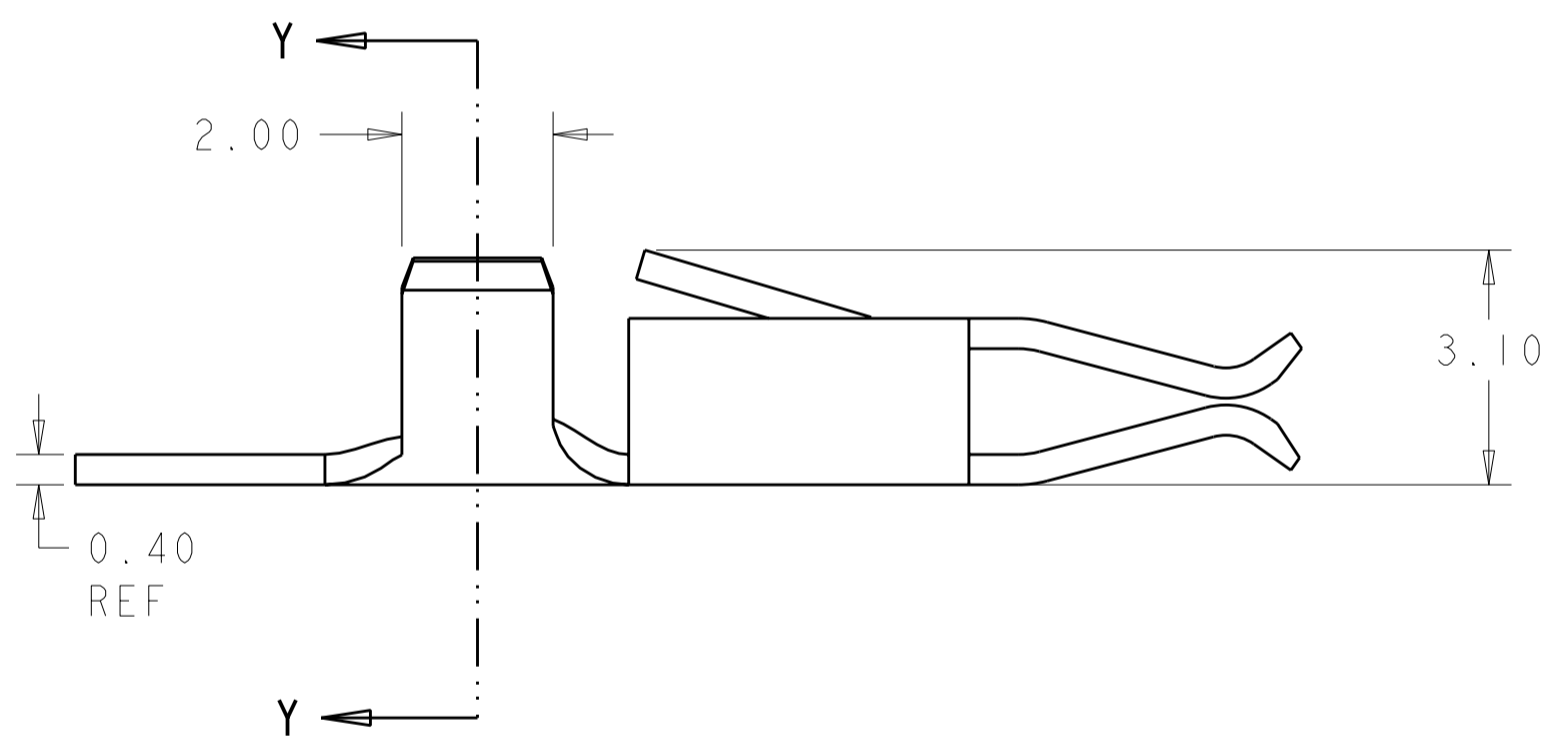
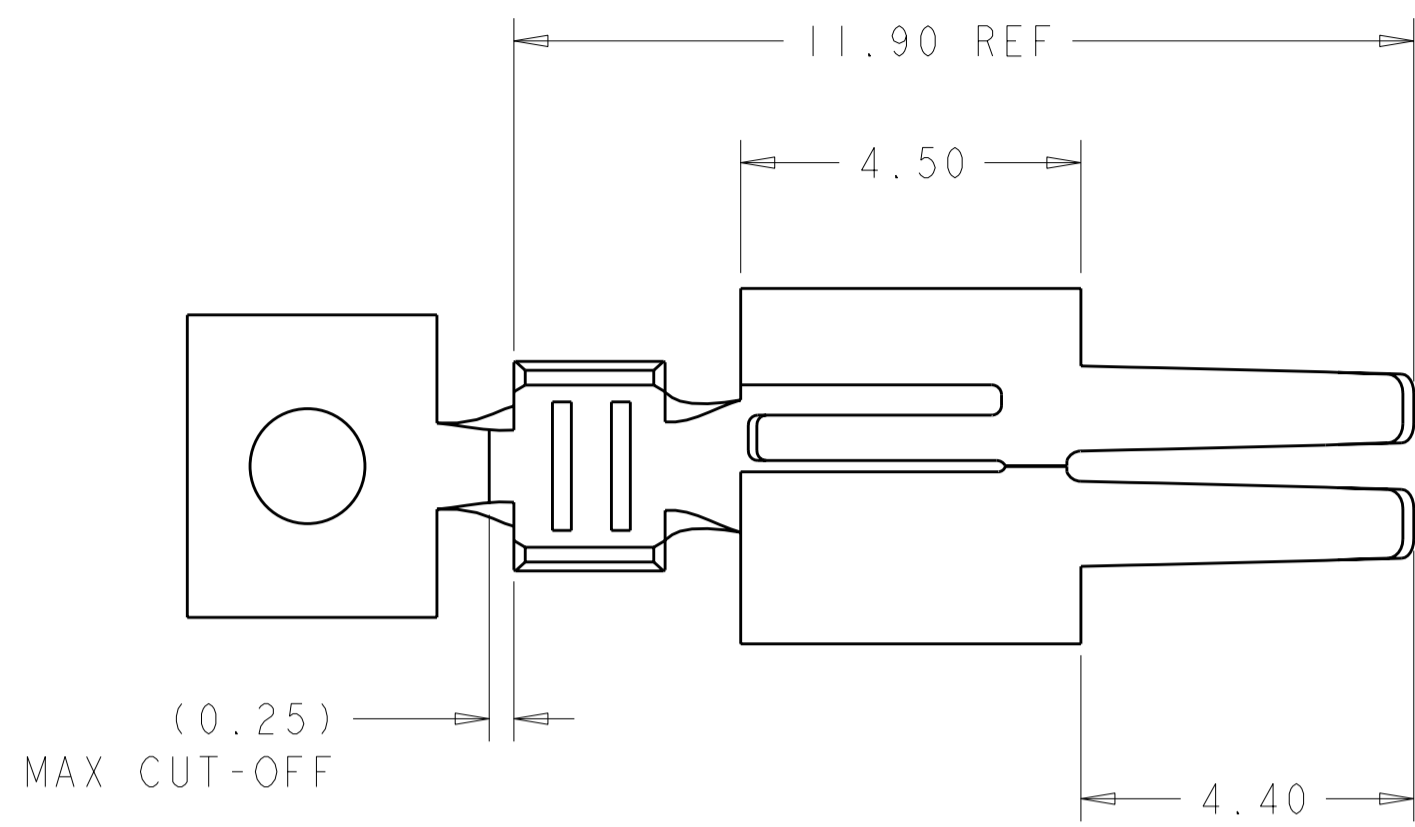


THIS DRAWING IS UNPUBLISHED. RELEASED FOR PUBLICATION 20  
 © COPYRIGHT 20 BY TYCO ELECTRONICS CORPORATION. ALL RIGHTS RESERVED.

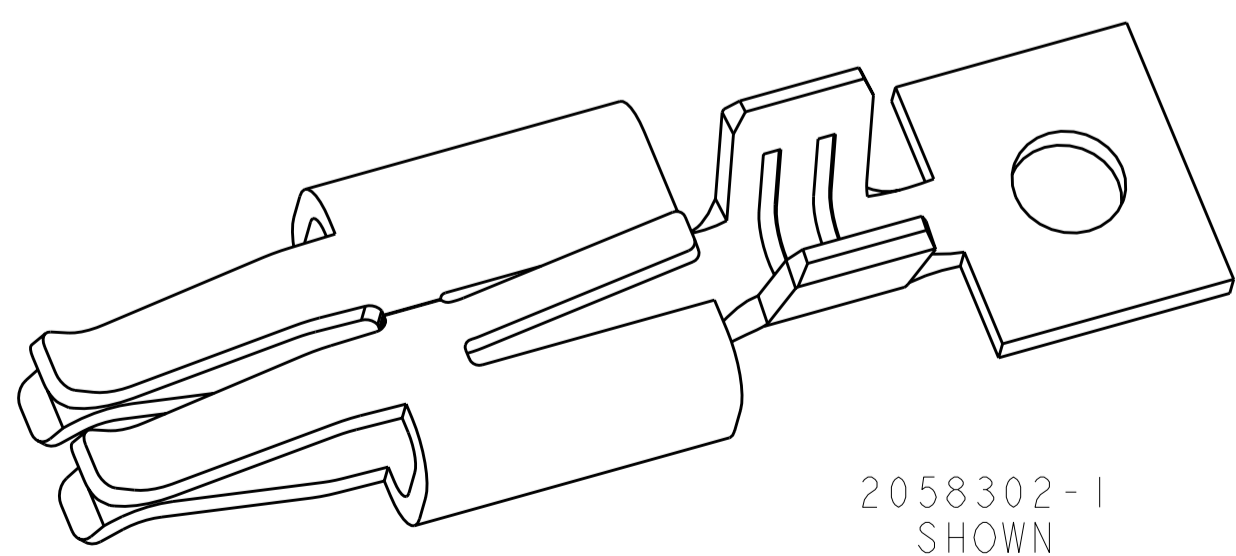
LOC		DIST		REVISIONS			
P	LTR	DESCRIPTION	DATE	DWN	APVD		
-	-	AI	REVISED PER ECR-09-010783	13MAY2009	HMR	DD	



SECTION Y-Y  
 SCALE 20:1

NOTES:

- 1. MATERIALS AND FINISH:  
 - COPPER ALLOY, FINISH: TIN
- 2. MUST COMPLY WITH DIRECTIVE 2002/95/EC (ROHS)
- 3. THIS PRODUCT HAS NOT COMPLETED VALIDATION TESTING
- 4. WIRE RANGE : 18-22 AWG, STRANDED
- 5. MAX INSULATION DIA: 2.03
- 6. RECOMMENDED TE HOUSING P/N X-2058299-X



LOOSE PIECE	2058302-2
ON STRIP	2058302-1
REMARKS	PART NO.

THIS DRAWING IS A CONTROLLED DOCUMENT FOR TYCO ELECTRONICS CORPORATION IT IS SUBJECT TO CHANGE AND THE CONTROLLING ENGINEERING ORGANIZATION SHOULD BE CONTACTED FOR THE LATEST REVISION.		DWN S. FISHER 07MAY2008	Tyco Electronics Harrisburg, PA 17105-3608	
DIMENSIONS: mm		CHK R. NARANG 07MAY2008	NAME SOCKET CONTACT WIRE TO BOARD CONNECTOR	
TOLERANCES UNLESS OTHERWISE SPECIFIED: 0 PLC ± 1 PLC ± 2 PLC ±0.13 3 PLC ± 4 PLC ± ANGLES ± FINISH		APVD -	PRODUCT SPEC 108-2387	RESTRICTED TO -
MATERIAL		APPLICATION SPEC 114-13252	SIZE A200779	CAGE CODE C-2058302
CUSTOMER DRAWING		WEIGHT -	SCALE 10:1	SHEET 1 OF 1

# Mouser Electronics

Authorized Distributor

Click to View Pricing, Inventory, Delivery & Lifecycle Information:

[TE Connectivity:](#)

[2058302-1](#)