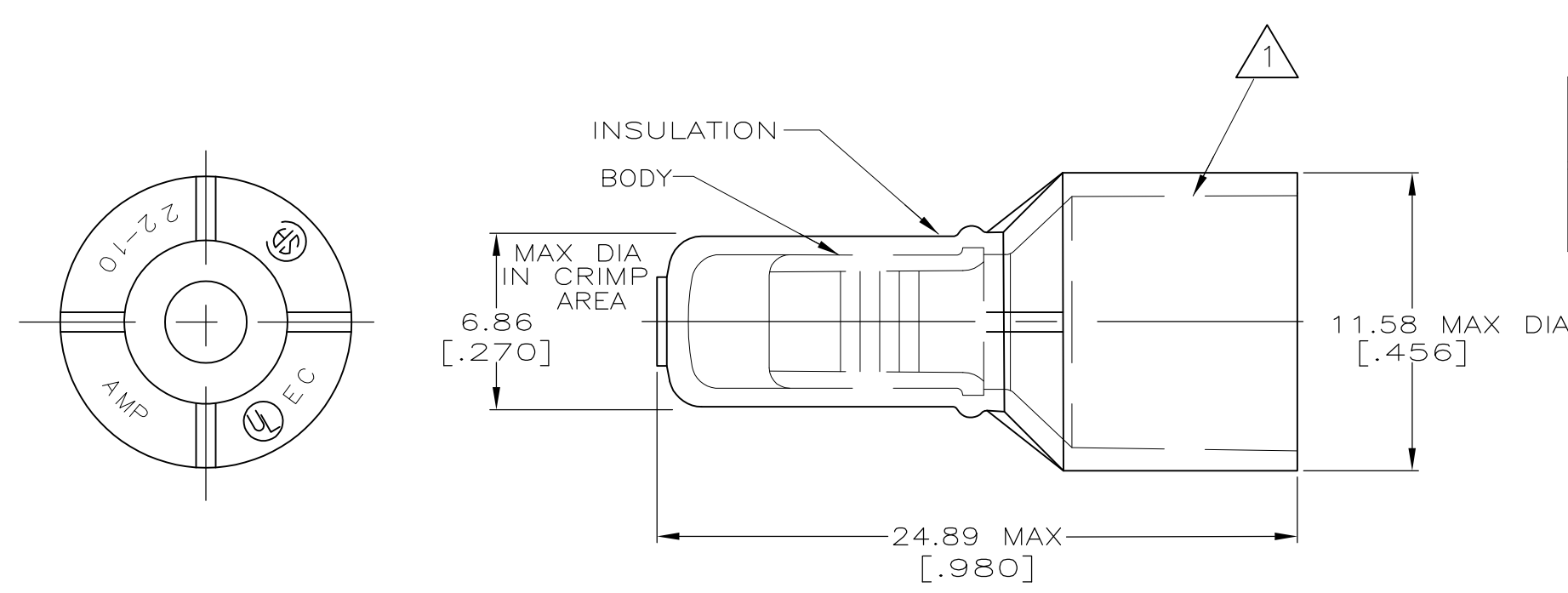


THIS DRAWING IS UNPUBLISHED. RELEASED FOR PUBLICATION
 © COPYRIGHT - By - ALL RIGHTS RESERVED.

LOC	DIST	REVISIONS					
		P	LTR	DESCRIPTION	DATE	DWN	APVD
G	14		S1	REVISED PER ECO-11-004917	11MAR11	RK	HMR

- △1 FOR 9.40 [.370] MAX WIRE INSULATION DIA
- △2 SUPERSEDED BY 53915-1
- △3 MATERIAL: BODY; COPPER PER ASTM B152 INSULATION; NYLON COLOR; SEE TABLE
- △4 FINISH: BODY; TIN PL. PER ASTM B545



AMP WIRE RANGE	Listed	LR7189 Certified
22-10 AWG SOLID OR STRANDED	22-10 AWG SOLID OR STRANDED	22-10 AWG SOLID OR STRANDED

△2	OBS	100	LOOSE PC BOX (NATURAL)	8-53915-1
	OBS	-	LOOSE PIECE (BLACK)	53915-4
		1500	TAPE MOUNTED	53915-2
		1000	LOOSE PIECE (NAT'L)	53915-1
		QTY	DESCRIPTION	PART NO

AMP INCORPORATED CUSTOMER SERVICE SYSTEMS		MAX RECOMMENDED OPERATING TEMPERATURE: 105° C MAX	THIS DRAWING IS A CONTROLLED DOCUMENT.		DWN G KRUPER 1/12/93	TE Connectivity				
FOR ADDITIONAL PRODUCT INFORMATION OR COPIES OF DRAWINGS AND TECHNICAL DOCUMENTS	PRODUCT INFORMATION CENTER 1-800-522-6752	VOLTAGE RATING: 600V MAX (BUILDING & WIRING) 1000V MAX (FIXTURES & SIGNS)	DIMENSIONS: INCHES	TOLERANCES UNLESS OTHERWISE SPECIFIED:	CHK R HERSEY 1/12/93				NAME SPLICE, CLOSED-END, WIRE SIZE, 22-10 AWG	
FOR APPLICATION TOOLING INFORMATION	TOOLING ASSISTANCE CENTER 1-800-722-1111	CIRCULAR MIL AREA: 1.65-6.64mm ² [3248-13100] SOLID OR STRANDED		0 PLC ± - 1 PLC ± - 2 PLC ± 0.20 [.008] 3 PLC ± - 4 PLC ± - ANGLES ± -	APVD M ELLIS 1/12/93	PRODUCT SPEC UL 486 C	SIZE	CAGE CODE	DRAWING NO	RESTRICTED TO
FOR ORDER ENTRY	1-800-526-5142	THIS DRAWING IS A CONTROLLED DOCUMENT FOR AMP INCORPORATED. IT IS SUBJECT TO CHANGE AND THE CONTROLLING ENGINEERING ORGANIZATION SHOULD BE CONTACTED FOR THE LATEST REVISION.	MATERIAL △3	FINISH △4	WEIGHT -	-	A3	00779	C-53915	-
CUSTOMER DRAWING						SCALE	4:1	SHEET	1 OF 1	REV S1

Mouser Electronics

Authorized Distributor

Click to View Pricing, Inventory, Delivery & Lifecycle Information:

[TE Connectivity:](#)

[53915-1](#) [53915-2](#)