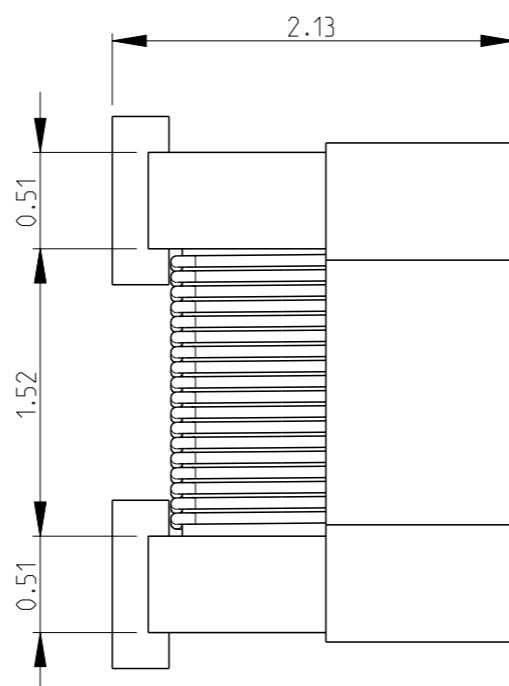
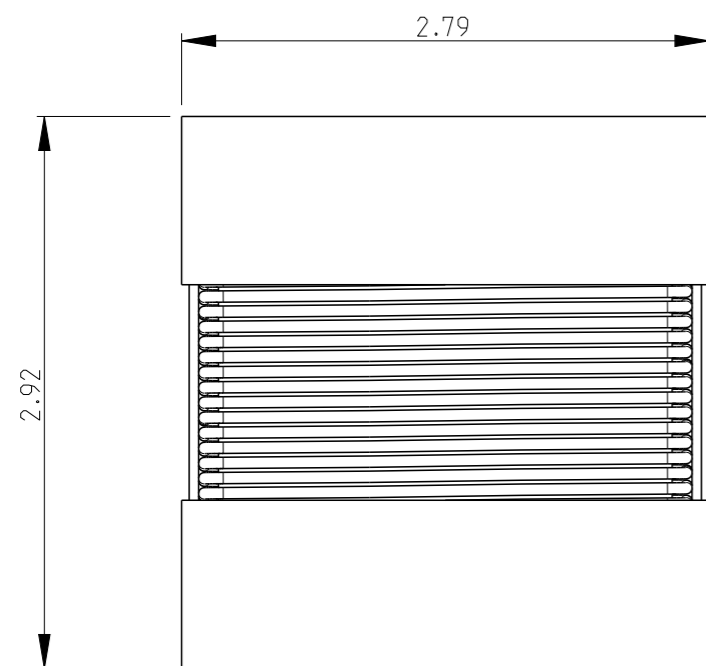


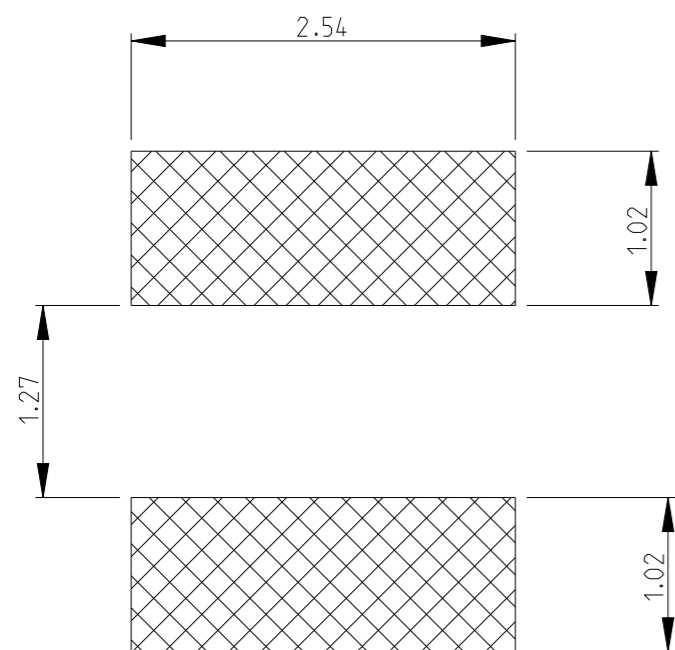
REVISIONS

P	LTR	DESCRIPTION	DATE	DWN	APVD
	BA1	ECR-14-010250	16JUL2014	KR	TN

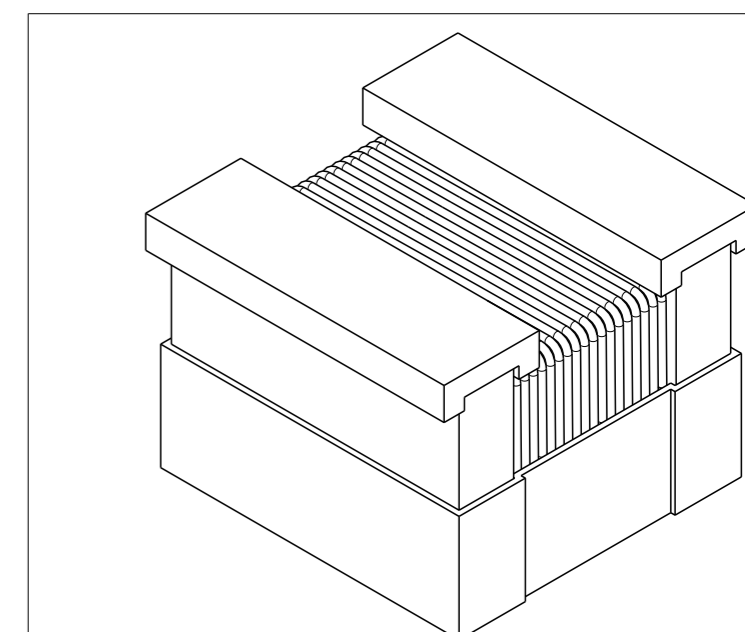
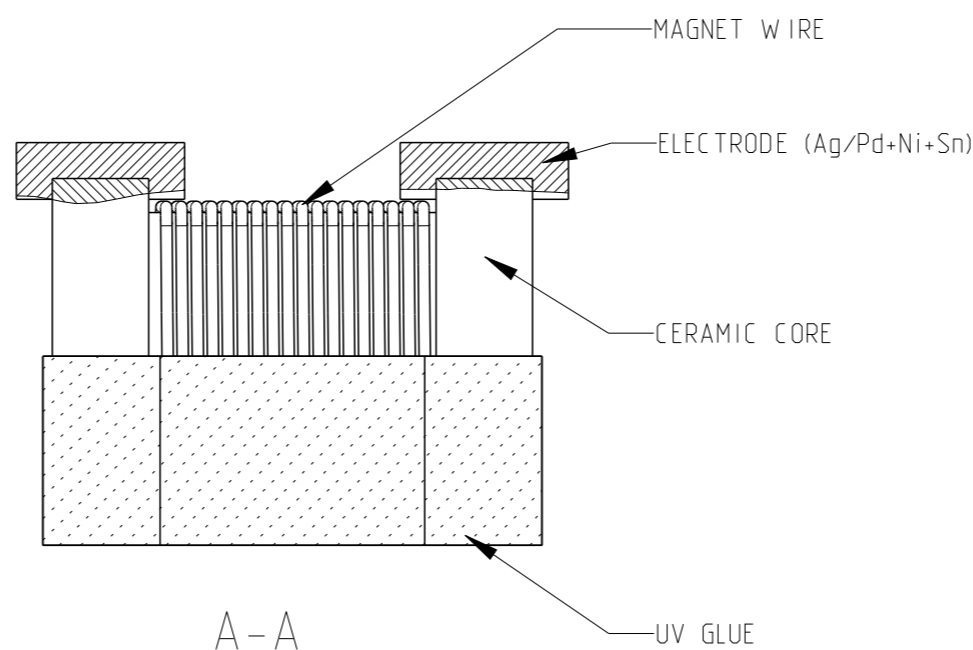


- 1 TERMINAL WRAPAROUND APPROX 0.007" (0.18mm) BOTH ENDS
- 2 FOR FURTHER INFORMATION SEE DATA SHEET FOR 3650 SERIES-LOW INDUCTANCE, HIGH FREQUENCY CHIP INDUCTOR

RECOMMENDED LAND PATTERN FOR 3650-2C SERIES

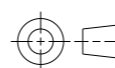


ROHS Compliant



THIS DRAWING IS A CONTROLLED DOCUMENT.

DIMENSIONS: mm



TOLERANCES UNLESS OTHERWISE SPECIFIED:	
0 PLC	±0.2
1 PLC	±0.1
2 PLC	±
3 PLC	±
4 PLC	±
ANGLES	±5°
FINISH	-

MATERIAL -

DWN 04-AUG-09

SUBHASH.M

CHK 04-AUG-09

ALLAN.P

APVD 04-AUG-09

STEPHEN.P

PRODUCT SPEC -

APPLICATION SPEC -

WEIGHT -

Customer Drawing

NAME LOW INDUCTANCE, HIGH FREQUENCY CHIP INDUCTOR SERIES 3650 2C

SIZE A3 CAGE CODE 00779 DRAWING NO C-1879023 RESTRICTED TO -

SCALE NTS SHEET 1 OF 1 REV BA1



Mouser Electronics

Authorized Distributor

Click to View Pricing, Inventory, Delivery & Lifecycle Information:

[TE Connectivity:](#)

[36502C6R8JTDG](#)