

4

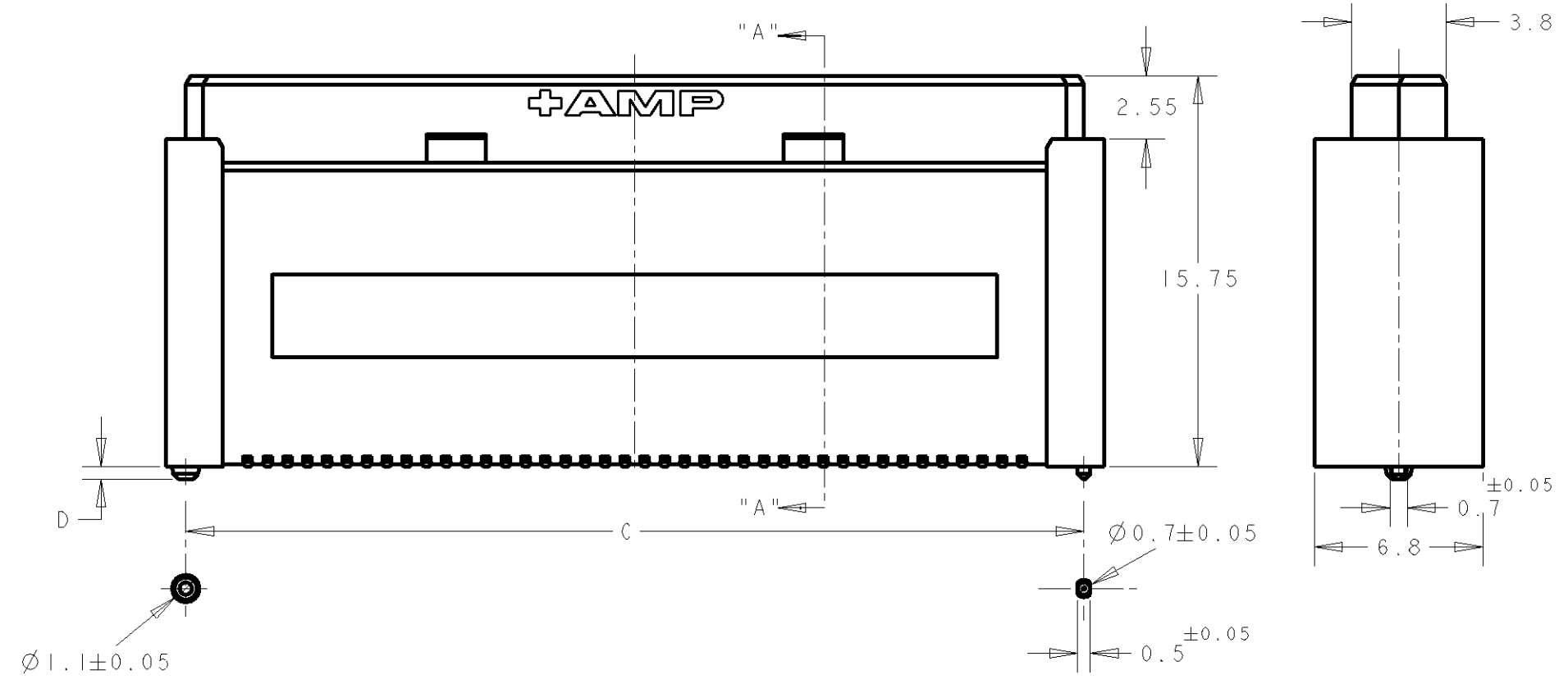
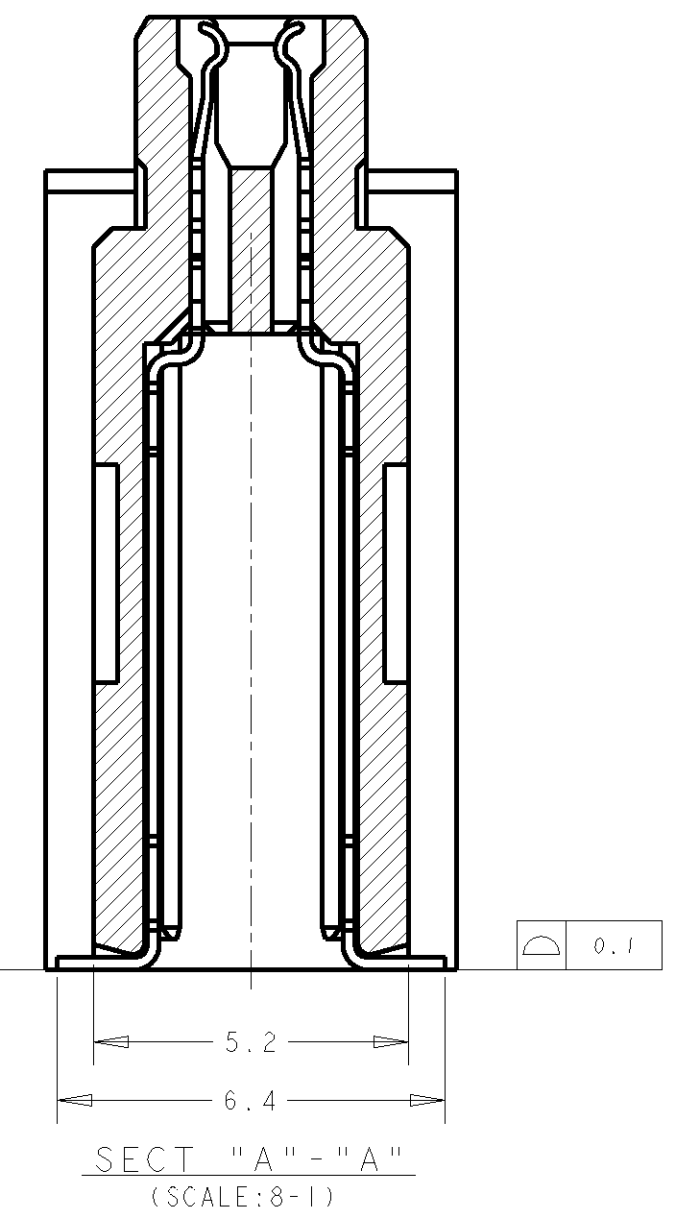
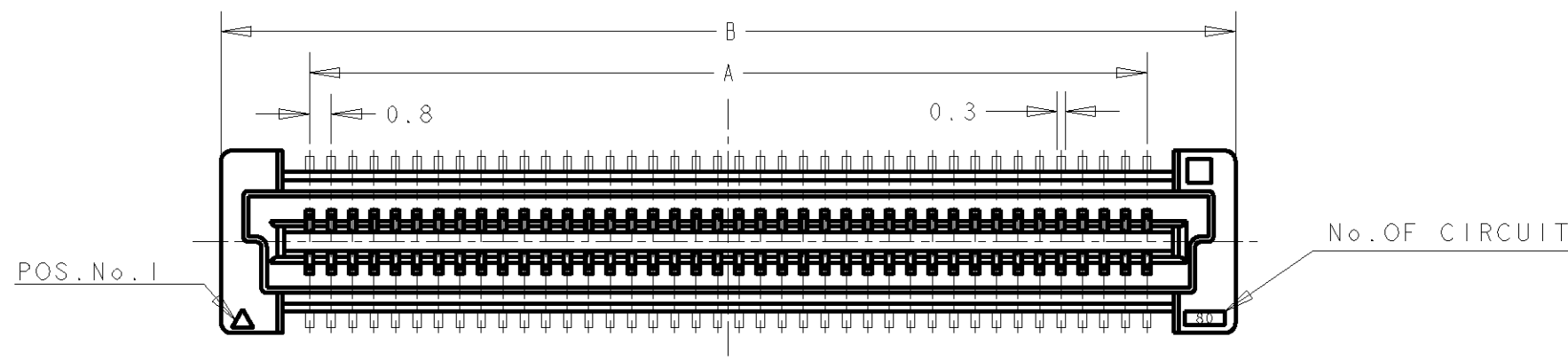
3

2

1

THIS DRAWING IS UNPUBLISHED. RELEASED FOR PUBLICATION
 © COPYRIGHT - BY - ALL RIGHTS RESERVED.

LOC	DIST	REVISIONS			
P	LTR	DESCRIPTION	DATE	DWN	APVD
DY	-	A2 REVISED PER ECO-11-005139	19MAR11	RK	HMR



DIMS: mm		TOLERANCES UNLESS OTHERWISE SPECIFIED:		DWN WYLEE 10JUL2007			
		0 PLC ± 1 PLC ±0.30 2 PLC ±0.25 3 PLC ±0.20 4 PLC ± ANGLES ±3°		CHK YJ SEE			
MATERIAL		FINISH		APVD SF J FONG		RECEPTACLE 17mm HEIGHT	
				PRODUCT SPEC 108-5390		FH 0.8mm PITCH B-T-B CONNECTOR	
				APPLICATION SPEC 114-5254		IN TUBE	
				WEIGHT -		SIZE A3	CAGE CODE 00779
				CUSTOMER DRAWING		DRAWING NO C-1735480	SCALE 4:1
						SHEET 1 OF 3	REV A2

4

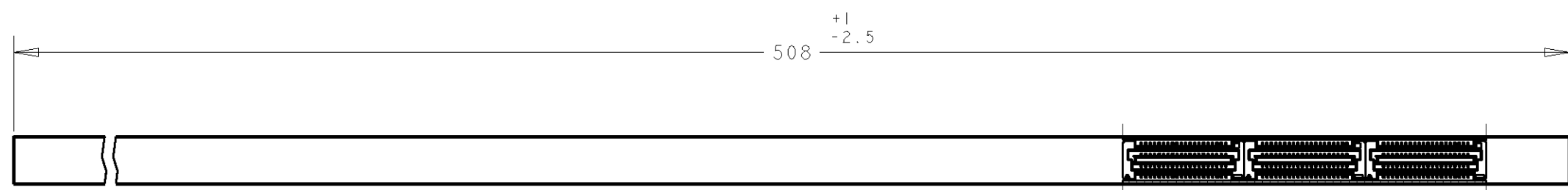
3

2

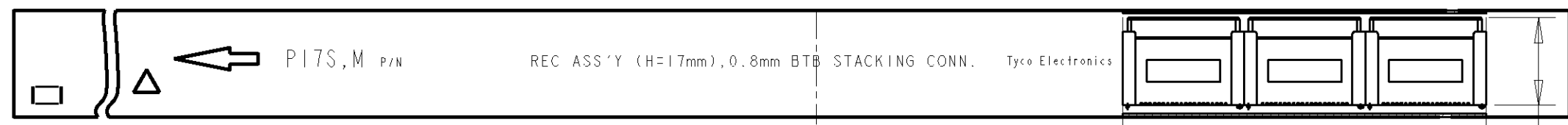
1

THIS DRAWING IS UNPUBLISHED. RELEASED FOR PUBLICATION .19 .
 © COPYRIGHT BY ALL RIGHTS RESERVED.

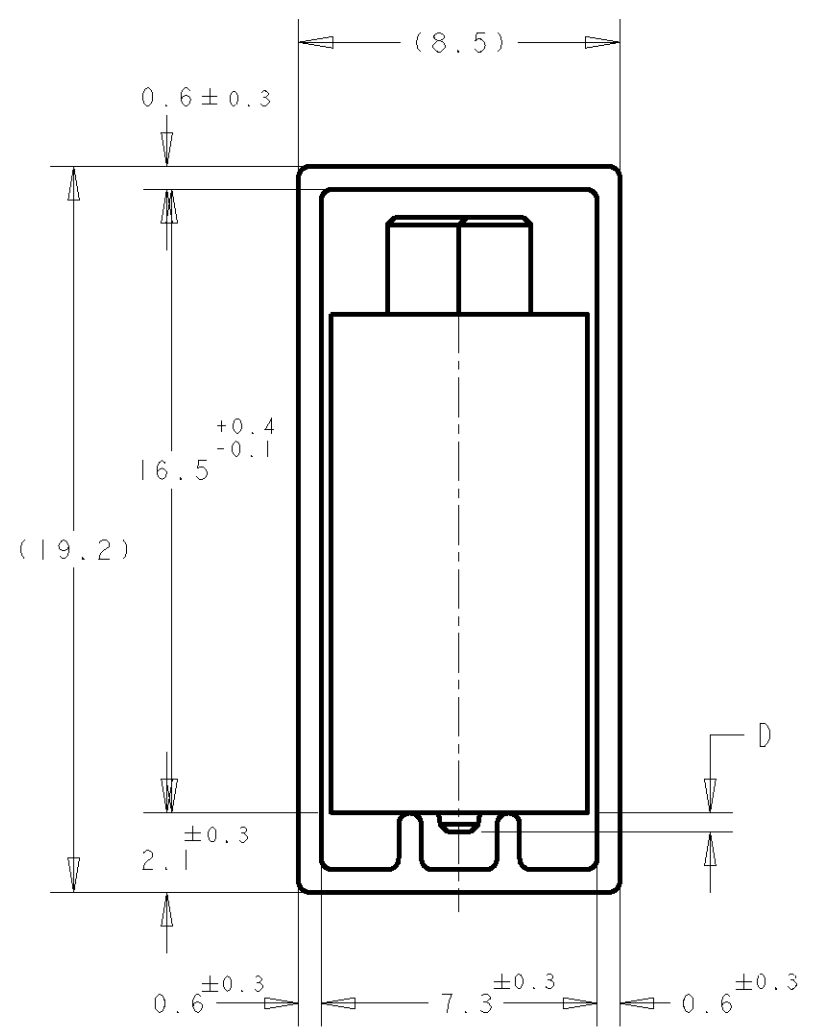
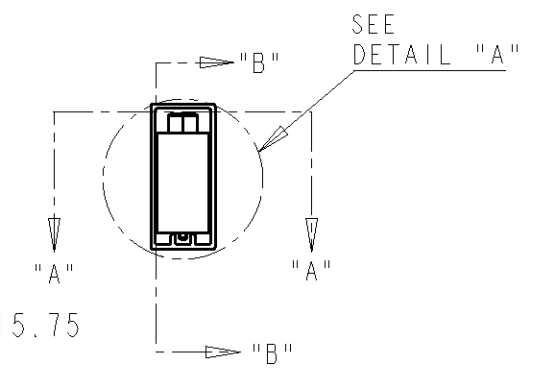
LOC	DIST	REVISIONS			
P	LTR	DESCRIPTION	DATE	DWN	APVD
DY	-	SEE SHEET 1			



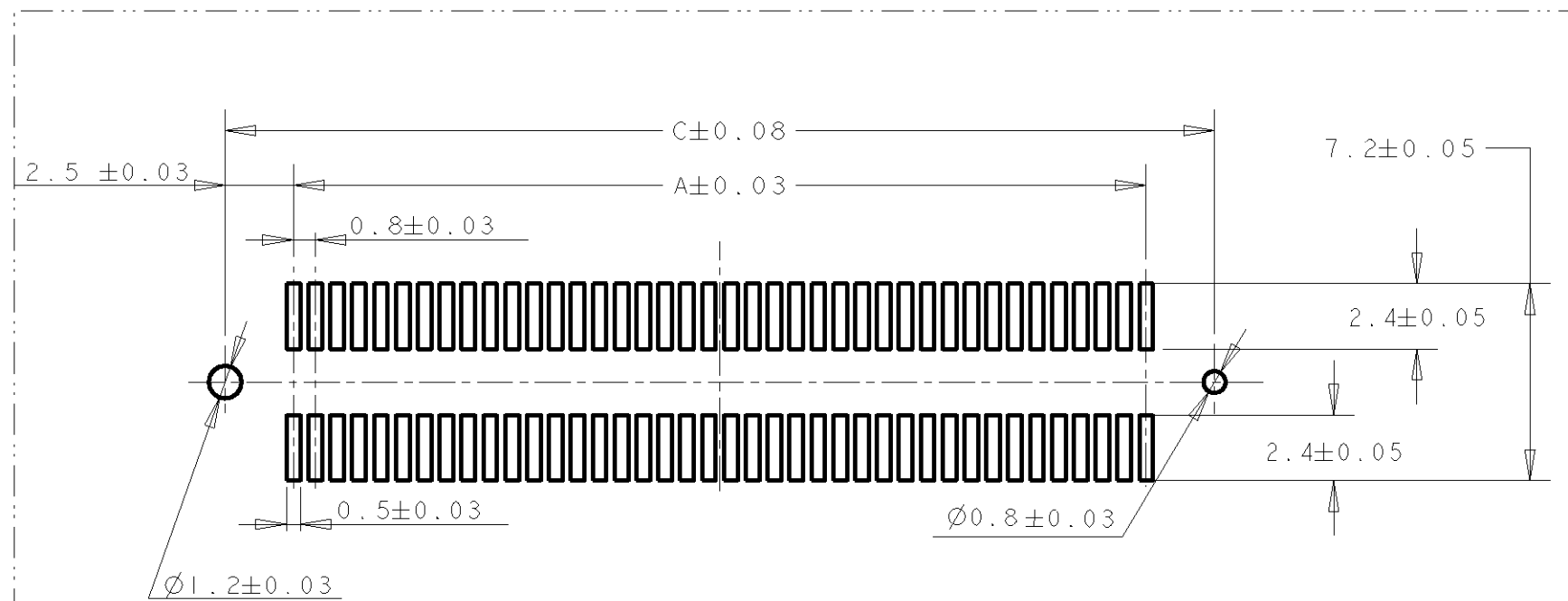
SECT "A" - "A"



SECT "B" - "B"



DETAIL "A"
(SCALE 5-1)



RECOMMENDED P.C. BOARD LAYOUT

DIMENSIONS: mm		TOLERANCES UNLESS OTHERWISE SPECIFIED:		DWN 10JUL2007 WYLEE		STE TE Connectivity	
0 PLC ±		1 PLC ±0.30		CHK YJ SEE			
1 PLC ±0.30		2 PLC ±0.25		APVD SF J FONG		NAME RECEPTACLE 17mm HEIGHT FH 0.8mm PITCH B-T-B CONNECTOR IN TUBE	
2 PLC ±0.25		3 PLC ±0.20		PRODUCT SPEC SEE SHEET 1		SIZE A3	
3 PLC ±0.20		4 PLC ±		APPLICATION SPEC SEE SHEET 1		CAGE CODE 00779	
4 PLC ±		ANGLES ±3°		WEIGHT -		DRAWING NO C-1735480	
MATERIAL		FINISH		CUSTOMER DRAWING		SCALE 4:1	
						SHEET 2 OF 3	
						REV A2	

THIS DRAWING IS UNPUBLISHED. RELEASED FOR PUBLICATION .19 .
 © COPYRIGHT - BY - ALL RIGHTS RESERVED.

LOC	DIST	REVISIONS					
DY	-	P	LTR	DESCRIPTION	DATE	DWN	APVD
				SEE SHEET 1			

AVAILABLE (0.5mm BOSS LENGTH)	30 u" Au - Sn 3	84.20	85.80	79.20	200	8-	-0
		76.20	77.80	71.20	180	7-	-9
		68.20	69.80	63.20	160	7-	-8
		64.20	65.80	59.20	150	7-	-7
		60.20	61.80	55.20	140	7-	-6
		52.20	53.80	47.20	120	7-	-5
		44.20	45.80	39.20	100	7-	-4
		36.20	37.80	31.20	80	7-	-3
	28.20	29.80	23.20	60	7-	-2	
	20.20	21.80	15.20	40	7-	-1	
	08 u" Au - Sn 2	84.20	85.80	79.20	200	6-	-0
		76.20	77.80	71.20	180	5-	-9
		68.20	69.80	63.20	160	5-	-8
		64.20	65.80	59.20	150	5-	-7
		60.20	61.80	55.20	140	5-	-6
		52.20	53.80	47.20	120	5-	-5
44.20		45.80	39.20	100	5-	-4	
36.20		37.80	31.20	80	5-	-3	
28.20		29.80	23.20	60	5-	-2	
0.5		20.20	21.80	15.20	40	5-	-1
NOT AVAILABLE (0.8mm BOSS LENGTH)	30 u" Au - Sn 3	84.20	85.80	79.20	200	3-	-0
		76.20	77.80	71.20	180	2-	-9
		68.20	69.80	63.20	160	2-	-8
		64.20	65.80	59.20	150	2-	-7
		60.20	61.80	55.20	140	2-	-6
		52.20	53.80	47.20	120	2-	-5
		44.20	45.80	39.20	100	2-	-4
		36.20	37.80	31.20	80	2-	-3
	28.20	29.80	23.20	60	2-	-2	
	20.20	21.80	15.20	40	2-	-1	
	08 u" Au - Sn 2	84.20	85.80	79.20	200	1-	-0
		76.20	77.80	71.20	180		-9
		68.20	69.80	63.20	160		-8
		64.20	65.80	59.20	150		-7
		60.20	61.80	55.20	140		-6
		52.20	53.80	47.20	120		-5
44.20		45.80	39.20	100		-4	
36.20		37.80	31.20	80		-3	
28.20	29.80	23.20	60		-2		
0.8	20.20	21.80	15.20	40		-1	

NOTES:

1 MATERIAL: HOUSING: L.C.P. (HIGH TEMP THERMO-PLASTIC)
 UL 94V-0, NATURAL.
 CONTACT: COPPER ALLOY


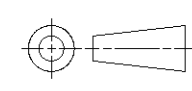
2 FINISH:
 ENGAGEMENT AREA: 0.0002 MIN GOLD
 SOLDERING AREA: 0.002 MIN MATTE TIN
 UNDERCOAT: 0.0013 MIN NICKEL ALL OVER.

3 FINISH:
 ENGAGEMENT AREA: 0.00076 MIN GOLD
 SOLDERING AREA: 0.002 MIN MATTE TIN
 UNDERCOAT: 0.0013 MIN NICKEL ALL OVER.

4. SEE SERIES TABLE FOR PART NUMBERS

5. CONNECTOR MATED STACKED HEIGHT IS COMBINATION OF
 PLUG HEIGHT "Y" AND REC HEIGHT "X", LESS 5 mm.

STACKED HEIGHT = Y + X - 5

DIMENSIONS: mm		TOLERANCES UNLESS OTHERWISE SPECIFIED:		DWN WYLEE 10JUL2007	 TE Connectivity	
		0 PLC ±- 1 PLC ±0.30 2 PLC ±0.25 3 PLC ±0.20 4 PLC ±- ANGLES ±3°		CHK YJ SEE	NAME RECEPTACLE 17mm HEIGHT	
				APVD SF J FONG	FH 0.8mm PITCH B-T-B CONNECTOR IN TUBE	
MATERIAL		FINISH		PRODUCT SPEC SEE SHEET 1	SIZE A3	CAGE CODE 00779
REMARKS		CONTACT PLATING		APPLICATION SPEC SEE SHEET 1	DRAWING NO 1735480	SCALE 4:1
D	C	B	A	WEIGHT -	SHEET 3	OF 3
PART No. 1735480-1				CUSTOMER DRAWING		REV A2

Mouser Electronics

Authorized Distributor

Click to View Pricing, Inventory, Delivery & Lifecycle Information:

[TE Connectivity:](#)

[5-1735480-5](#)