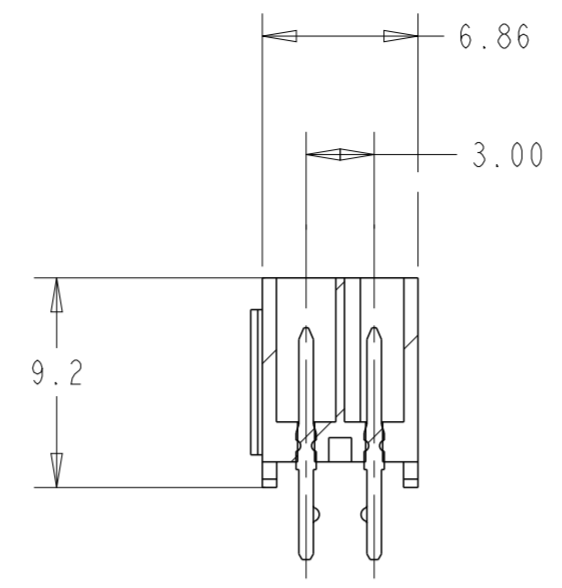
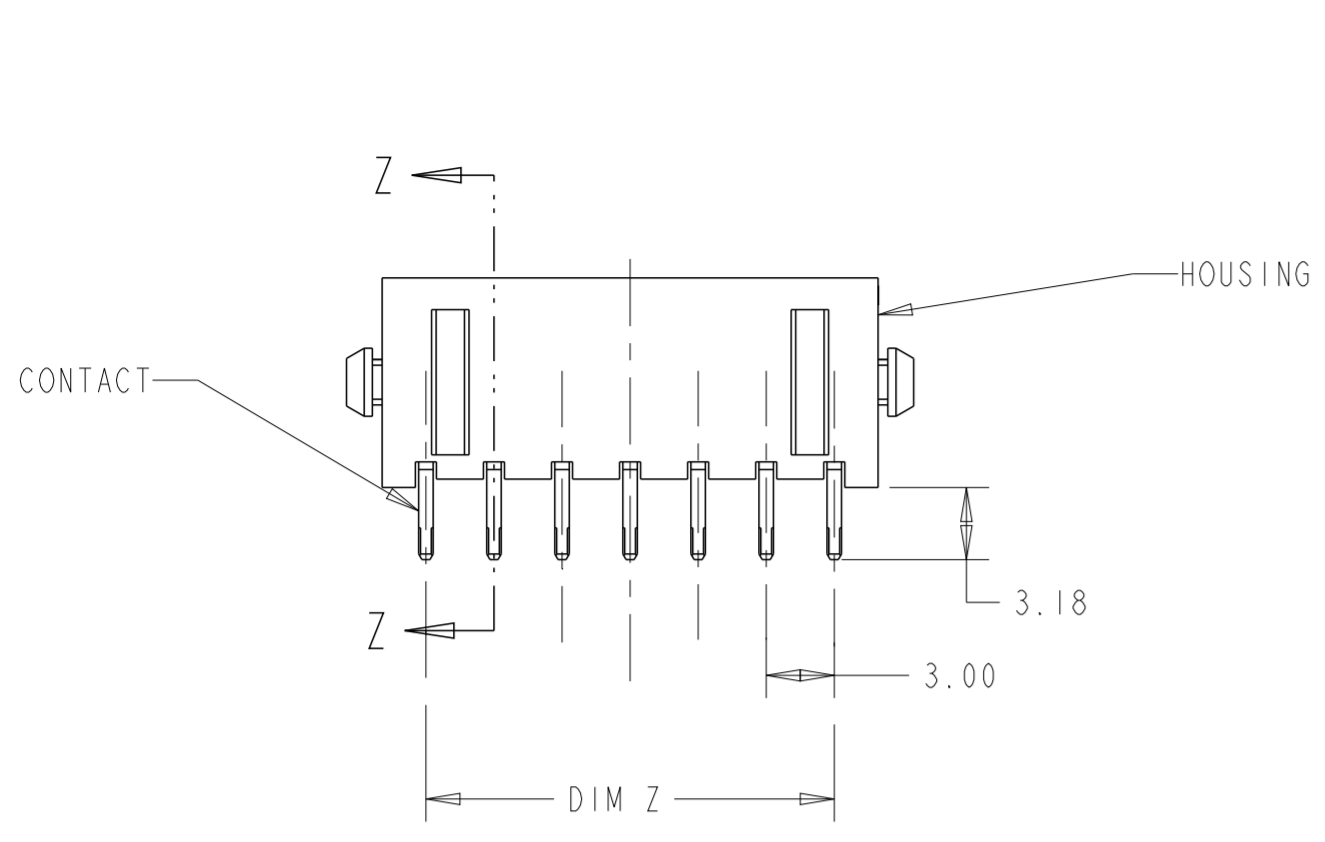
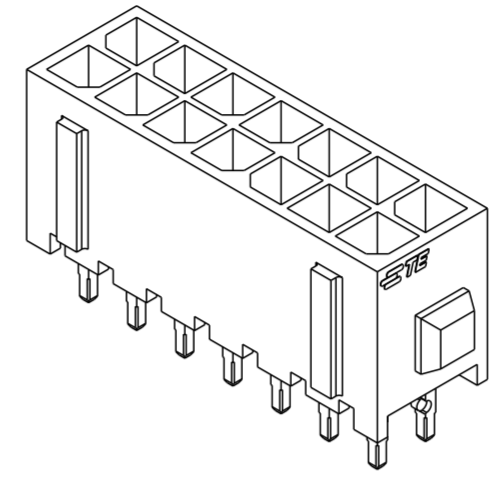


THIS DRAWING IS UNPUBLISHED. RELEASED FOR PUBLICATION
 © COPYRIGHT 20 BY - ALL RIGHTS RESERVED.

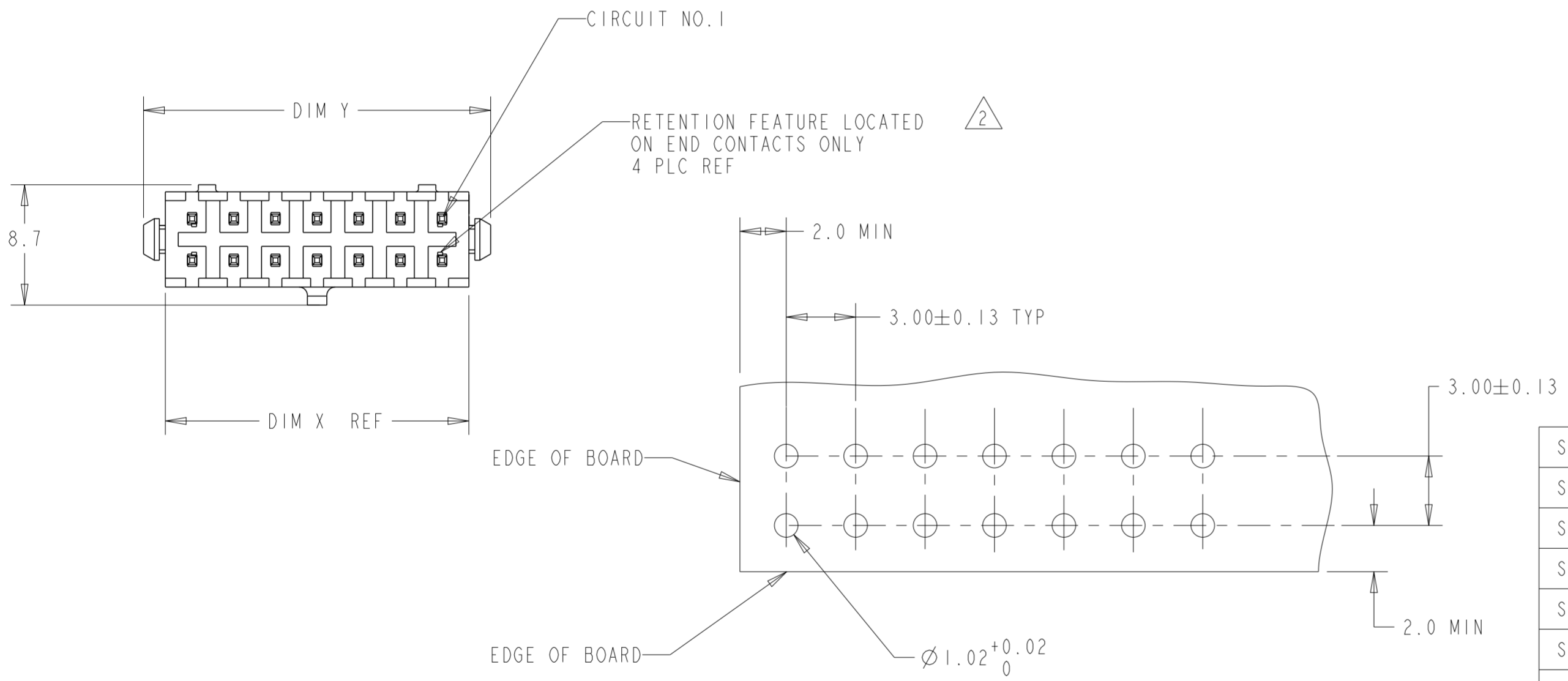
| REVISIONS | | | | | |
|-----------|-----|---------------------------|-----------|-----|------|
| P | LTR | DESCRIPTION | DATE | DWN | APVD |
| | EI | REVISED PER ECR-16-011494 | 21JUN2017 | NK | CX |
| | | | | | |
| | | | | | |



SECTION Z-Z



3 DIMENSIONAL MODEL



- 1 MATERIAL: HOUSING - NYLON, UL 94V-0, BLACK.
CONTACT - BRASS.
0.00038 MINIMUM GOLD OVER 0.00254
MINIMUM NICKEL ON MATING AREA. 0.00254
TIN-LEAD MINIMUM OVER 0.00254 NICKEL
MINIMUM ON SOLDER TAILS.
- 2 MAXIMUM INSERTION 20 LBS.
- 3 RECOMMENDED BOARD THICKNESS 1.57.
- 4 MATERIAL: HOUSING - NYLON, UL 94V-0, BLACK.
CONTACT - BRASS.
0.00038 MINIMUM GOLD OVER 0.00254
MINIMUM NICKEL ON MATING AREA. 0.00254
MATTE TIN MINIMUM OVER 0.00254 NICKEL
MINIMUM ON SOLDER TAILS.

RECOMMENDED MOUNTING HOLE PATTERN 3
 SCALE 5:1

| FINISH | DIM Y | DIM Z | DIM X | NO. OF POSN. | PART NUMBER |
|--------|-------|-------|-------|--------------|-----------------------|
| 4 | 40.00 | 33.00 | 36.86 | 24 | 5-794631-4 |
| 4 | 37.00 | 30.00 | 33.86 | 22 | 5-794631-2 |
| 4 | 34.00 | 27.00 | 30.86 | 20 | 5-794631-0 |
| 4 | 31.00 | 24.00 | 27.86 | 18 | 4-794631-8 |
| 4 | 28.00 | 21.00 | 24.86 | 16 | 4-794631-6 |
| 4 | 25.00 | 18.00 | 21.86 | 14 | 4-794631-4 |
| 4 | 22.00 | 15.00 | 18.86 | 12 | 4-794631-2 |
| 4 | 19.00 | 12.00 | 15.86 | 10 | 4-794631-0 |
| 4 | 16.00 | 9.00 | 12.86 | 8 | 3-794631-8 |
| 4 | 13.00 | 6.00 | 9.86 | 6 | 3-794631-6 |
| 4 | 10.00 | 3.00 | 6.86 | 4 | 3-794631-4 |
| 4 | 7.00 | - | 3.86 | 2 | 3-794631-2 |
| 1 | 40.00 | 33.00 | 36.86 | 24 | 2-794631-4 |
| 1 | 37.00 | 30.00 | 33.86 | 22 | 2-794631-2 |
| 1 | 34.00 | 27.00 | 30.86 | 20 | 2-794631-0 |
| 1 | 31.00 | 24.00 | 27.86 | 18 | 1-794631-8 |
| 1 | 28.00 | 21.00 | 24.86 | 16 | 1-794631-6 |
| 1 | 25.00 | 18.00 | 21.86 | 14 | 1-794631-4 |
| 1 | 22.00 | 15.00 | 18.86 | 12 | 1-794631-2 |
| 1 | 19.00 | 12.00 | 15.86 | 10 | 1-794631-0 |
| 1 | 16.00 | 9.00 | 12.86 | 8 | 794631-8 |
| 1 | 13.00 | 6.00 | 9.86 | 6 | 794631-6 |
| 1 | 10.00 | 3.00 | 6.86 | 4 | 794631-4 |
| 1 | 7.00 | - | 3.86 | 2 | 794631-2 |

THIS DRAWING IS A CONTROLLED DOCUMENT.

DWN B. HAYMAKER 16AUG99
 CHK K. COBLE 16AUG99
 APVD K. COBLE 16AUG99

TE Connectivity

NAME: VERTICAL HEADER ASSEMBLY, THRU HOLE, 15 GOLD, DUAL ROW, MICRO MATE-N-LOK™

SIZE: A2 CAGE CODE: 00779 DRAWING NO: C-794631 RESTRICTED TO: -

MATERIAL: 1 SEE TABLE

PRODUCT SPEC: -
 APPLICATION SPEC: -
 WEIGHT: -

CUSTOMER DRAWING SCALE: 3:1 SHEET: 1 OF 1 REV: EI

Mouser Electronics

Authorized Distributor

Click to View Pricing, Inventory, Delivery & Lifecycle Information:

[TE Connectivity:](#)

[3-794631-8](#)