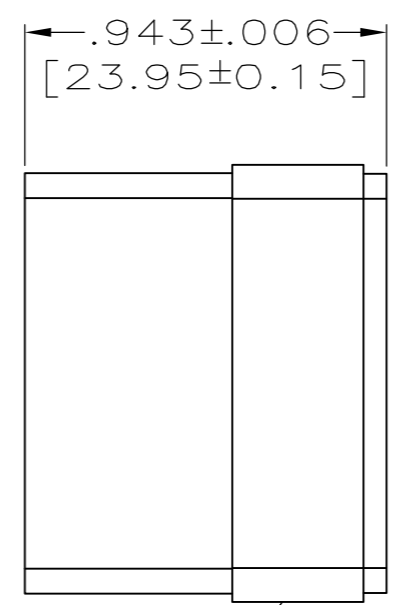
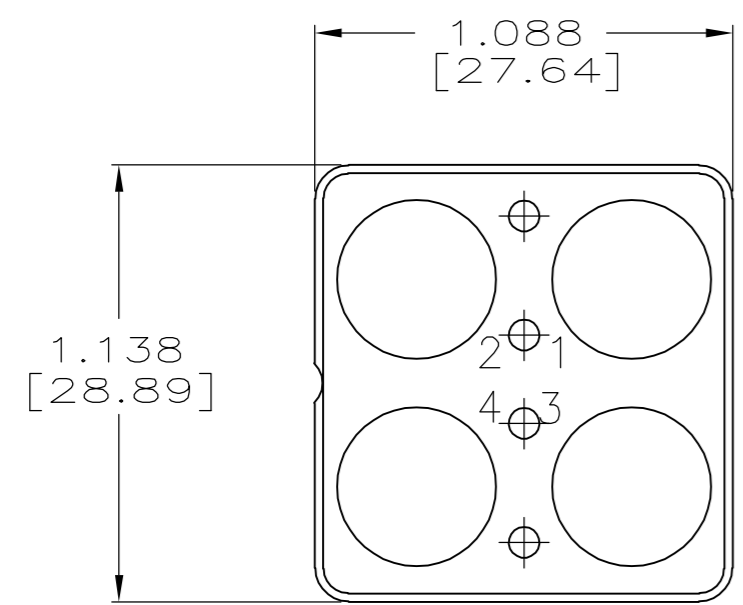
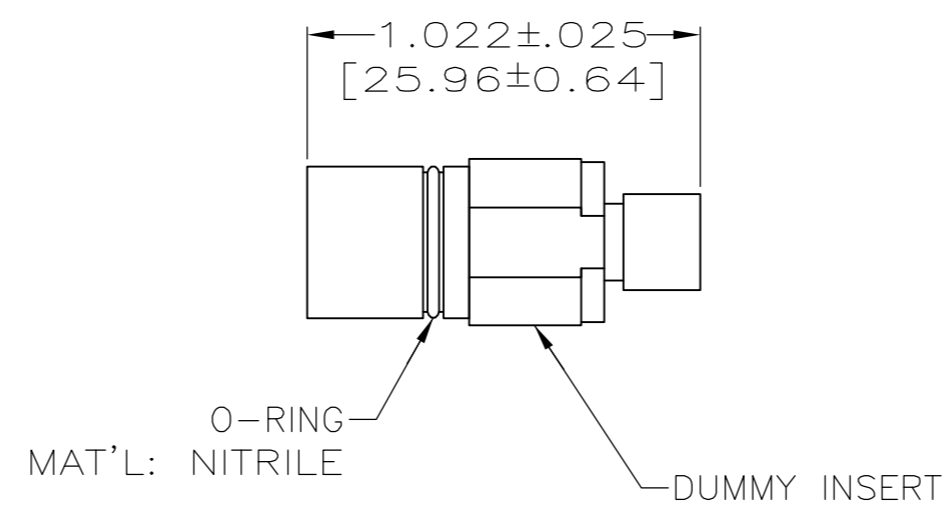
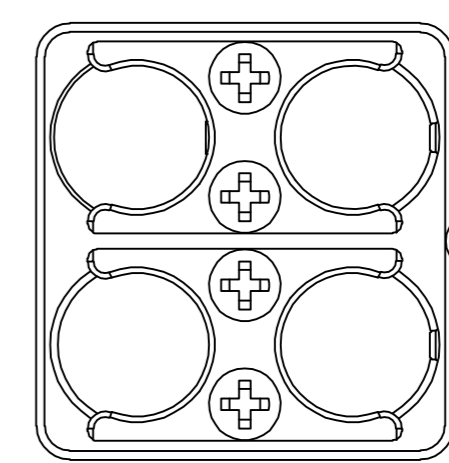
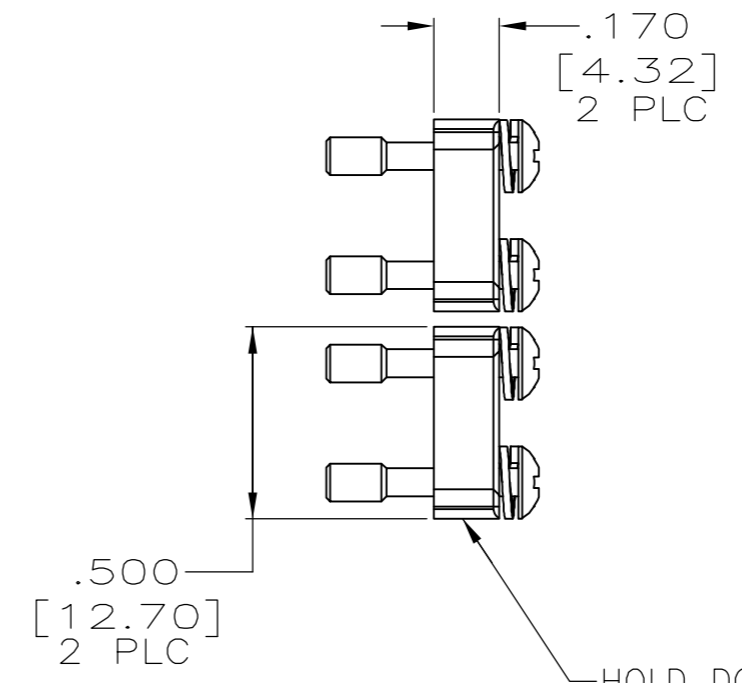


THIS DRAWING IS UNPUBLISHED. RELEASED FOR PUBLICATION
 © COPYRIGHT BY TYCO ELECTRONICS CORPORATION. ALL RIGHTS RESERVED.

LOC	DIST	REVISIONS					
DF	S0	P	LTR	DESCRIPTION	DATE	DWN	APVD
		E		REV PER EC 0H14-0255-05	3JAN06	BL	CCT



MAT'L: ALUMINUM ALLOY
 FINISH: ELECTROLESS NICKEL



MAT'L: ALUMINUM ALLOY
 FINISH: ELECTROLESS NICKEL

- 1. FOR 1484661-1 ONE DUMMY INSERT AND O-RING SUPPLIED TO PLUG UNUSED CAVITY. INSTALLATION AND LOCATION DETERMINED BY CUSTOMER.
- 2. FOR 1484661-3 FOUR DUMMY INSERTS AND O-RINGS SUPPLIED TO PLUG UNUSED CAVITIES. INSTALLATION TO BE DONE BY CUSTOMER.
- 3. CUSTOMER TO LUBRICATE O-RING WITH LUBRICANT COMPATIBLE WITH NITRILE RUBBER (RECOMMEND DOW CORNING 55 O-RING LUBRICANT)

OBSOLETE	2	1484661-3
	1	1484661-2
	1	1484661-1
REMARKS		PART NUMBER

THIS DRAWING IS A CONTROLLED DOCUMENT.		DWN	C.C.THOMAS	2-5-02	Tyco Electronics Corporation Harrisburg, PA 17105-3608	
DIMENSIONS: INCHES		CHK	S.GLATFELTER	2-5-02		
TOLERANCES UNLESS OTHERWISE SPECIFIED:		APVD	S.GLATFELTER	2-5-02		
0 PLC ± - 1 PLC ± - 2 PLC ± - 3 PLC ± .005 [0.13] 4 PLC ± - ANGLES ± - FINISH -		PRODUCT SPEC	-			
MATERIAL		APPLICATION SPEC	-		NAME	INSERT KIT, PLUG, 4 POSN., MINI EB, ARINC 600
-		WEIGHT	-		SIZE	A2
-		CUSTOMER DRAWING	SCALE	2:1	CAGE CODE	00779
-					DRAWING NO	C=1484661
-					RESTRICTED TO	-
-					SHEET	1 of 1
-					REV	E

Mouser Electronics

Authorized Distributor

Click to View Pricing, Inventory, Delivery & Lifecycle Information:

[TE Connectivity:](#)

[1484661-3](#)