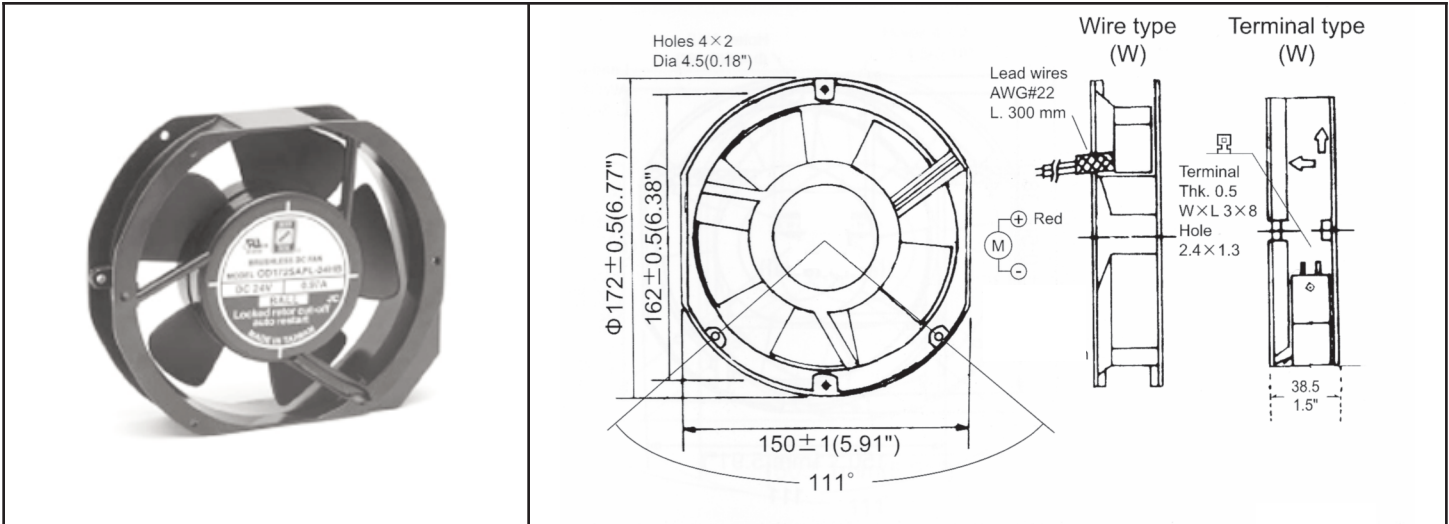


# OD172SAPL Series



DC Fan - 12, 24, 48V  
172x150x38mm (6.7"x 5.9"x 1.5")



|                              |   |  |  |
|------------------------------|---|--|--|
| <b>Frame</b>                 | Diecast Aluminum                                | <b>Available Options:</b><br>Tachometer Alarm<br>Thermistor Speed Control<br>PWM Speed Control<br>Constant Speed<br><br><u>Life Expectancy (L10)</u><br>Ball - 60,000 hrs (45C)<br><br><u>Operating Temperature</u><br>Ball: -20C ~ +75C<br><br>Weight: ~1.7 lbs<br><br>m0 |  |
| <b>Impeller</b>              | PBT, UL94V-0 plastic                            |  |  |
| <b>Connection</b>            | 2x Lead wires, AWG22 or terminals               |  |  |
| <b>Motor</b>                 | Brushless DC, auto restart, polarity protected  |  |  |
| <b>Bearing System</b>        | Dual ball bearing                               |  |  |
| <b>Insulation Resistance</b> | 10M ohm between leadwire and frame (500VDC)     |  |  |
| <b>Dielectric Strength</b>   | 1 minute at 500 VAC, max leakage < 500 MicroAmp |  |  |
| <b>Storage Temperature</b>   | -40C ~ +80C                                     |  |  |

| Model Number    | Speed (RPM) | Airflow (CFM) | Noise (dB) | Volts DC | Voltage Range | Amps | Max. Static Pressure (H <sub>2</sub> O) |
|-----------------|-------------|---------------|------------|----------|---------------|------|---|
| OD172SAPL-12H * | 4000        | 225           | 55         | 12       | 7~14          | 1.99 | 0.73                                    |
| OD172SAPL-12M * | 3300        | 190           | 45         | 12       | 7~14          | 1.10 | 0.51                                    |
| OD172SAPL-12L * | 2000        | 120           | 40         | 12       | 7~14          | 0.45 | 0.35                                    |
| OD172SAPL-24H * | 4000        | 225           | 55         | 24       | 15~27         | 0.97 | 0.73                                    |
| OD172SAPL-24M * | 2800        | 190           | 45         | 24       | 15~27         | 0.52 | 0.51                                    |
| OD172SAPL-24L * | 2000        | 120           | 40         | 24       | 15~27         | 0.20 | 0.35                                    |
| OD172SAPL-48H * | 4000        | 225           | 55         | 48       | 28~53         | 0.48 | 0.73                                    |
| OD172SAPL-48M * | 2800        | 190           | 45         | 48       | 28~53         | 0.30 | 0.51                                    |
| OD172SAPL-48L * | 2000        | 120           | 40         | 48       | 28~53         | 0.12 | 0.35                                    |

\* Indicate "B" for wire leads or "TB" for Terminals

# Mouser Electronics

Authorized Distributor

Click to View Pricing, Inventory, Delivery & Lifecycle Information:

## Orion Fans:

[OD172SAPL-24HB](#) [OD172SAPL-24HTB](#) [OD172SAPL-12LB](#) [OD172SAPL-12MB](#) [OD172SAPL-24LB](#) [OD172SAPL-24MB](#) [OD172SAPL-48HB](#) [OD172SAPL-48LB](#) [OD172SAPL-48MB](#) [OD172SAPL-12HB](#) [OD172SAPL-48HB10](#)  
[OD172SAPL-24MTB](#) [OD172SAPL-12HTB](#) [OD172SAPL-12MTB](#) [OD172SAPL-48MTB](#) [OD172SAPL-12LTB](#)  
[OD172SAPL-24LTB](#) [OD172SAPL-48HTB](#) [OD172SAPL-48LTB](#)