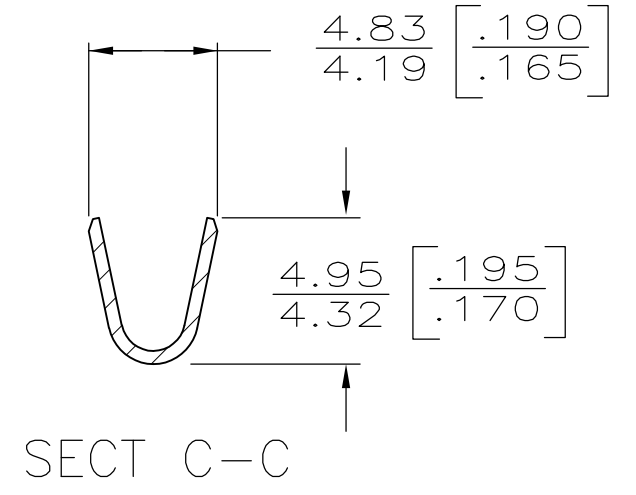
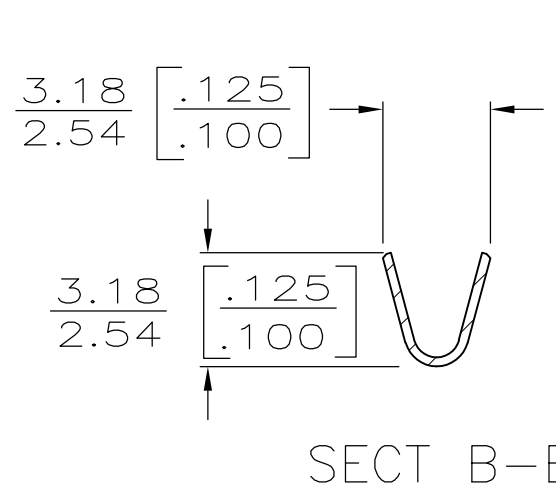
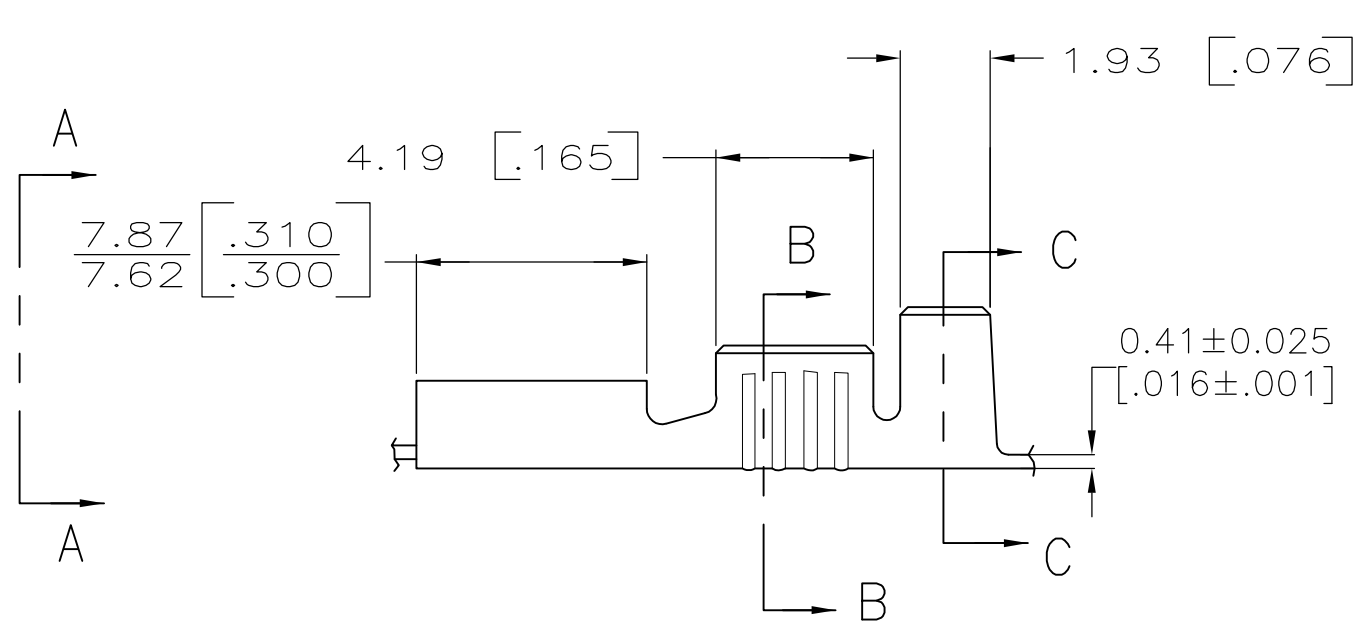
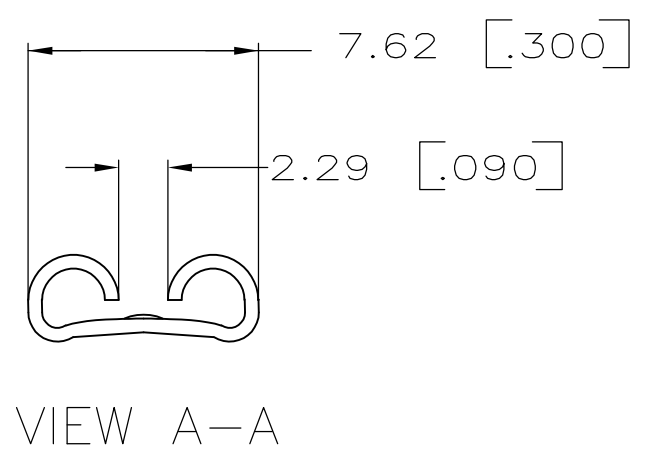
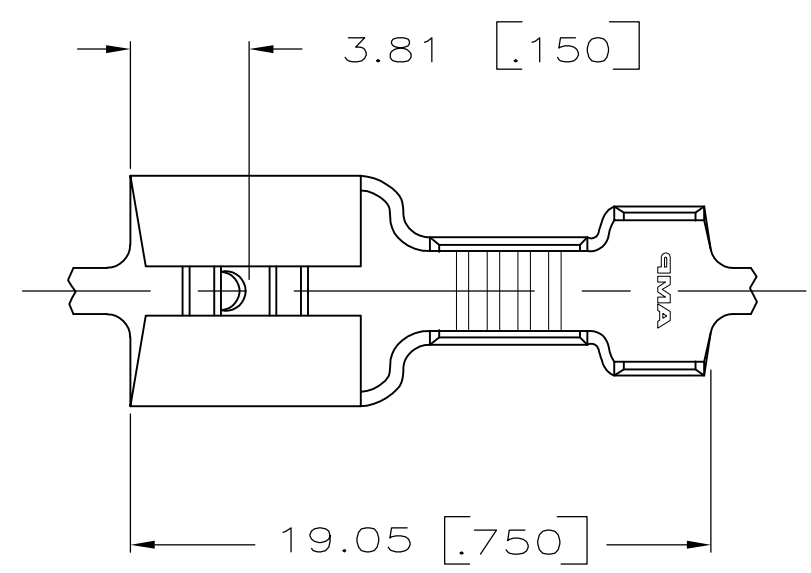


THIS DRAWING IS UNPUBLISHED. RELEASED FOR PUBLICATION  
 © COPYRIGHT - By - ALL RIGHTS RESERVED.

LOC	DIST	REVISIONS					
AF	50	P	LTR	DESCRIPTION	DATE	DWN	APVD
			V	REVISED PER ECR-12-013445	18OCT12	KH	PD

- 1 DIM'S IN BRACKETS ARE IN INCHES.
- 2 CONTINUOUS STRIP ON REELS.
- 3 FOR FOREIGN PRODUCTION ONLY



3	2.29-3.30 [.090-.130]	0.3-0.8mm [22-18]	0.81 ±0.025 [.032] ±.001	41771-1
	2.29-3.30 [.090-.130]	0.3-0.8mm <sup>2</sup> [22-18]	0.81 ±0.025 [.032] ±.001	41771
	INSUL RANGE	WIRE SIZE	TAB THK.	PART NO.

F OR O	3.30 [.130]	5.59 [.220]	F	2.29 [.090]	1.42 [.056]	0.8mm [18]
					1.30 [.051]	0.5mm [20]
					1.24 [.049]	0.3mm <sup>2</sup> [22]
TYPE	WIDTH	STRIP LENGTH ±0.38 ±.015	TYPE	WIDTH	±.051 [±.002] HEIGHT	WIRE
INSUL BARREL CRIMP			WIRE BARREL CRIMP			

THIS DRAWING IS A CONTROLLED DOCUMENT.

DWN	JR RUTH	2/7/86
CHK	G YETTER	2/7/86
APVD	R KUZO	2/7/86
PRODUCT SPEC	-	
APPLICATION SPEC	-	
WEIGHT	-	

**STE** TE Connectivity

RECEPTACLE, FASTON, 6.35 [.250] SERIES

SIZE	CAGE CODE	DRAWING NO	RESTRICTED TO
A3	00779	C-41771	-

CUSTOMER DRAWING SCALE 4:1 SHEET 1 OF 1 REV V

# Mouser Electronics

Authorized Distributor

Click to View Pricing, Inventory, Delivery & Lifecycle Information:

[TE Connectivity:](#)

[41771](#)