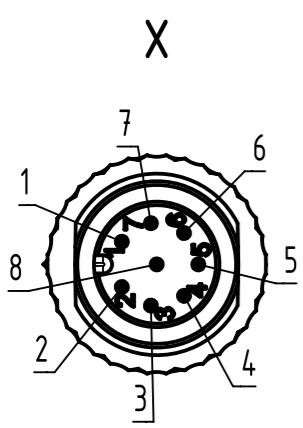


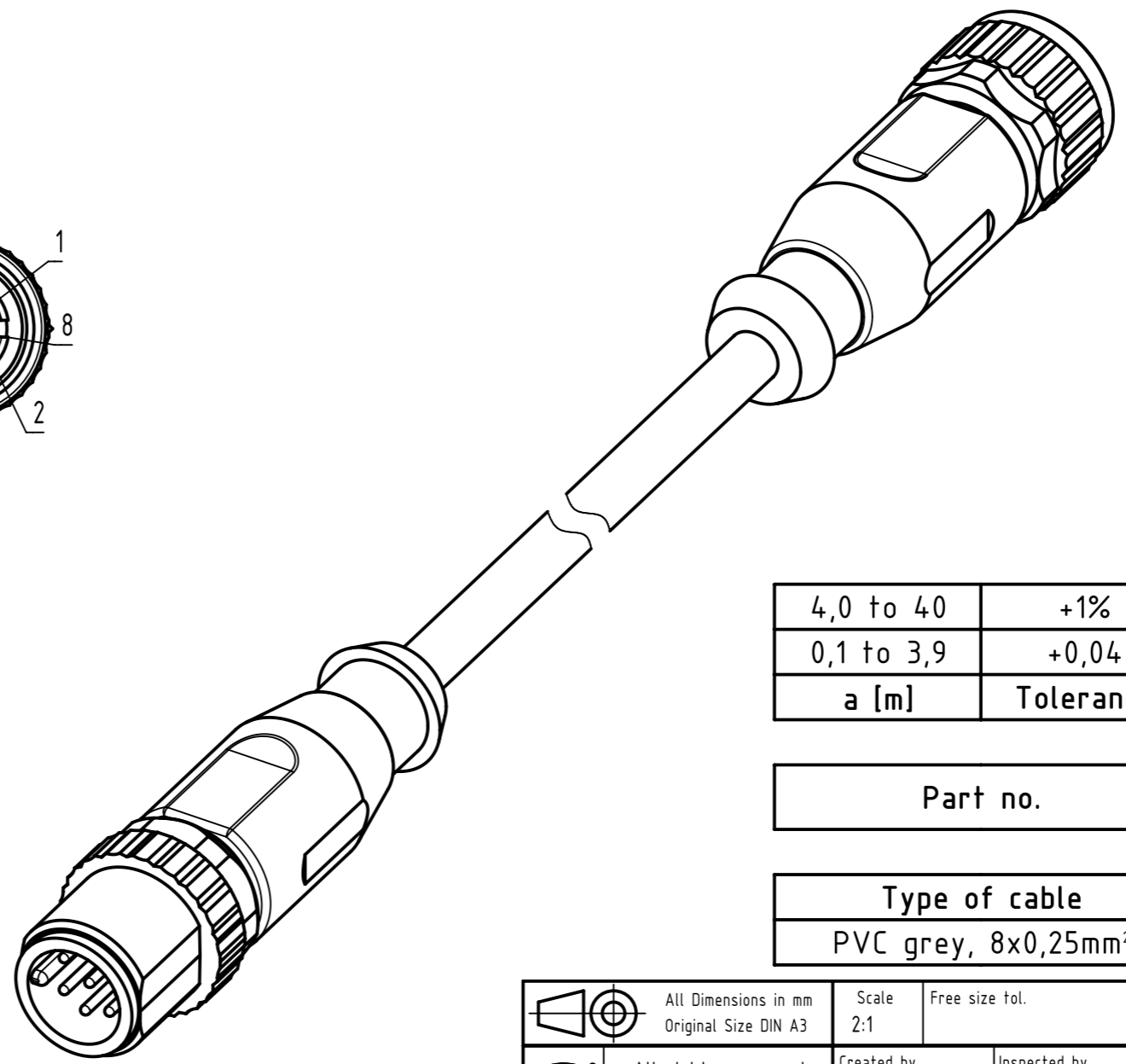
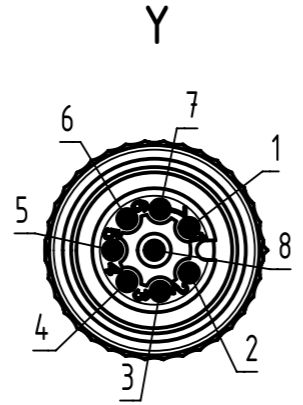
M12 A-coded 8-poles, male straight connector

M12 A-coded 8-poles, female straight connector



Loading-Plan:

- 1 white
- 2 brown
- 3 green
- 4 yellow
- 5 grey
- 6 pink
- 7 blue
- 8 red



- Protection level: IP67
 - Temperature range: -25°C ... +80°C

length in "1m" step	40	XXX=400
	39	XXX=390
	.	.
	12	XXX=120
	11	XXX=110
length in "0,1m" step	10	XXX=100
	9,9	XXX=099
	9,8	XXX=098
	.	.
	0,4	XXX=004
	0,3	XXX=003
	0,2	XXX=002
0,1	XXX=001	
Step	a [m]	XXX

4,0 to 40	+1%
0,1 to 3,9	+0,04
a [m]	Tolerance

Part no.	213484858XXXX
----------	---------------

Type of cable	XX
PVC grey, 8x0,25mm ²	XX=82

All rights reserved Department EC PD - RO		All Dimensions in mm Original Size DIN A3	Scale 2:1	Free size tol.	Ref. Sub.
HARTING Electronics GmbH D-32339 Espelkamp	Created by TOMUTA	Inspected by AVRAM	Standardisation HOFFMANN	Date 2014-07-29	State Final Release
Title M12 A-coded Cable Assembly				Doc-Key / ECM-Nr. 100578827/UGD/009/B 50000078282	
Type TB		Number 213484858XXXX		Rev. B	Page 1/1

Mouser Electronics

Authorized Distributor

Click to View Pricing, Inventory, Delivery & Lifecycle Information:

[HARTING:](#)

[21348485882010](#) [21348485882050](#)