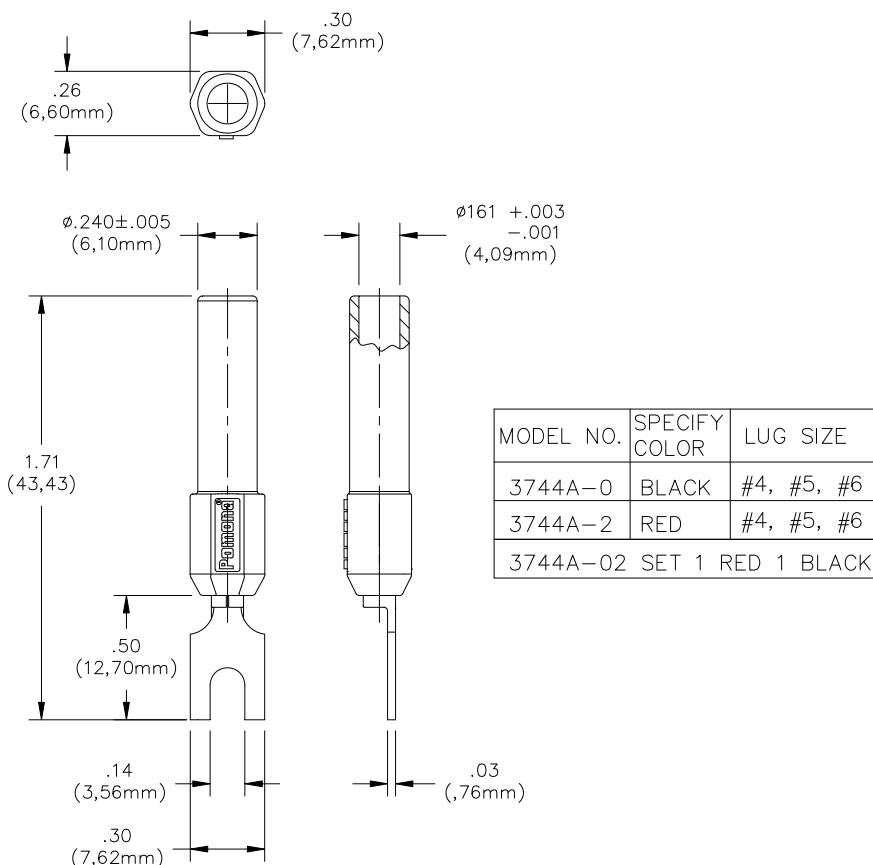


Model 3744A Spade Lug to Banana Jack



MATERIALS:

1st End: Banana Jack

Material: Brass per QQ-B-626, Alloy 360, 1/2 Hard.

Finish: Nickel plated per Q-N-290, Class 2, 200/300 microinches.

Insulation: Polypropylene (Fire Retardant) molded to Banana Jack Body. Color: See Tab Block.

Marking: "POMONA"

2nd End: Spade Lug

Material: Copper.

Finish: Electro-tin plated.

RATINGS:

Operating Temperature: +50° C (+122° F) Max.

Operating Voltage: 5000 VDC

Current: 15 Amperes

ORDERING INFORMATION:

See table above

USA: Sales: 800-490-2361
Technical Support: technicalsupport@pomonatest.com
Fax: 425-446-5844

Europe: 31-(0) 40 2675 150 **International:** 425-446-5500

Where to Buy: www.pomonaelectronics.com

All dimensions are in inches. Tolerances (except noted): .xx = ±.02" (.51 mm), .xxx = ±.005" (.127 mm). All specifications are to the latest revisions. Specifications are subject to change without notice. Registered trademarks are the property of their respective companies.

Mouser Electronics

Authorized Distributor

Click to View Pricing, Inventory, Delivery & Lifecycle Information:

Pomona:

[3744A-02](#) [3744A-2](#)