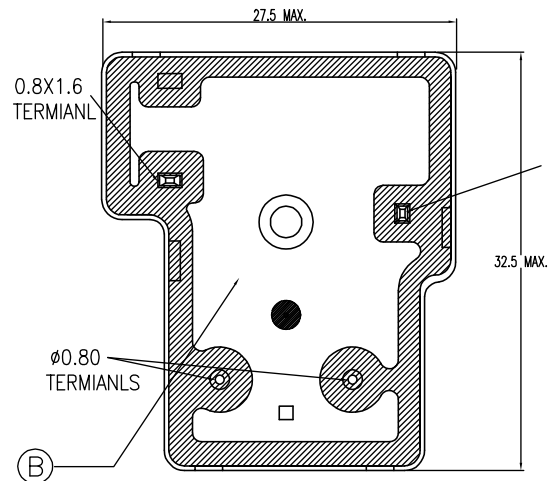
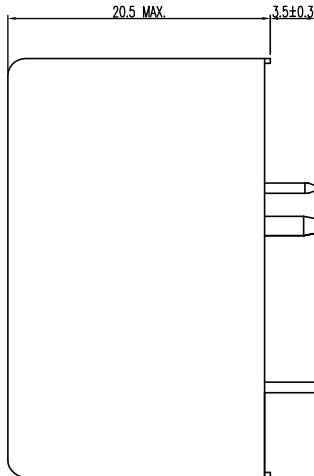
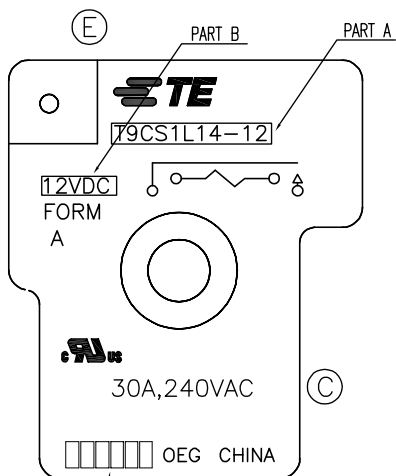


THIS DRAWING IS UNPUBLISHED. RELEASED FOR PUBLICATION  
 © COPYRIGHT - By - ALL RIGHTS RESERVED.

LOC	DIST	REVISIONS					
P	LTR	DESCRIPTION	DATE	DWN	APVD		
HB	-	C	CHANGE RATING	ECO-06-013181	5-JUN-06	JM.C	YIP
		D	CHANGE TE LOGO	ECO-08-020492	5-SEP-08	SZ,Z	BH.Y
		E	CHANGE TE LOGO OBSOLETE FG PNs	ECO-12-005760 ECO-12-012545	23-AUG-12	HL.C	BH.Y



LOT NO.

NOTE: TERMINAL DIMENSION WITHOUT TINNING.

LOT NO. SYSTEM AS FOLLOWING:

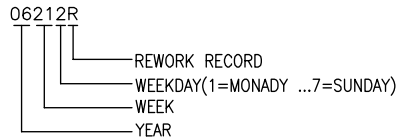
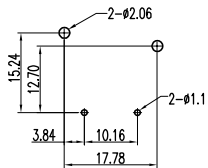
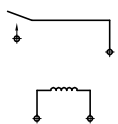


DIAGRAM DIMENSION	TOLERANCE
0.99mm max.	±0.1mm
1 - 2.99mm	±0.2mm
3mm min.	±0.3mm



PCB LAYOUT (BOTTOM VIEW)



WIRING DIAGRAM


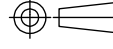
THIS DRAWING IS A CONTROLLED DOCUMENT.		DWN	JM.CAO	-
		CHK	YIP.ANTHONY	-
DIMENSIONS: mm		APVD	N.FUNAYAMA	NAME
TOLERANCES UNLESS OTHERWISE SPECIFIED: 0 PLC ± - 1 PLC ± - 2 PLC ± - 3 PLC ± - 4 PLC ± - ANGLES ± -		PRODUCT SPEC	T9C CODE 1 FORM A CUSTOMER DRAWING	
MATERIAL		FINISH	SIZE	CAGE CODE
			A3	00779
		WEIGHT	DRAWING NO	RESTRICTED TO
			C=1721527	-
CUSTOMER DRAWING			SCALE	SHEET
			3:1	1 OF 2
			REV	E

THIS DRAWING IS UNPUBLISHED. RELEASED FOR PUBLICATION - - -  
 © COPYRIGHT - By - ALL RIGHTS RESERVED.

LOC	DIST	REVISIONS					
HB	-	P	LTR	DESCRIPTION	DATE	DWN	APVD
		-		SEE SHEET 1	-	-	-

(E)	2-1721527-0	T9CS1L14-48	48VDC	T9CS1L14-48	20
	1-1721527-9	T9CS1L14-24	24VDC	T9CS1L14-24	19
	1-1721527-8	T9CS1L14-22	22VDC	T9CS1L14-22	18
	1-1721527-7	T9CS1L14-20	20VDC	T9CS1L14-20	17
	1-1721527-6	T9CS1L14-18	18VDC	T9CS1L14-18	16
	1-1721527-5	T9CS1L14-15	15VDC	T9CS1L14-15	15
(E)	1-1721527-4	T9CS1L14-12	12VDC	T9CS1L14-12	14
	1-1721527-3	T9CS1L14-9	9VDC	T9CS1L14-9	13
	1-1721527-2	T9CS1L14-6	6VDC	T9CS1L14-6	12
	1-1721527-1	T9CS1L14-5	5VDC	T9CS1L14-5	11
	1-1721527-0	T9CS1D14-48	48VDC	T9CS1D14-48	10
	1721527-9	T9CS1D14-24	24VDC	T9CS1D14-24	9
	1721527-8	T9CS1D14-22	22VDC	T9CS1D14-22	8
(E)	1721527-7	T9CS1D14-20	20VDC	T9CS1D14-20	7
	1721527-6	T9CS1D14-18	18VDC	T9CS1D14-18	6
	1721527-5	T9CS1D14-15	15VDC	T9CS1D14-15	5
	1721527-4	T9CS1D14-12	12VDC	T9CS1D14-12	4
(E)	1721527-3	T9CS1D14-9	9VDC	T9CS1D14-9	3
	1721527-2	T9CS1D14-6	6VDC	T9CS1D14-6	2
	1721527-1	T9CS1D14-5	5VDC	T9CS1D14-5	1
	PART NO.	TE TYPE NAME	PART B (VOLTAGE)	PART A	ITEM

(E)	4-1721527-0	T9CV1L14-48	48VDC	T9CV1L14-48	40
	3-1721527-9	T9CV1L14-24	24VDC	T9CV1L14-24	39
	3-1721527-8	T9CV1L14-22	22VDC	T9CV1L14-22	38
	3-1721527-7	T9CV1L14-20	20VDC	T9CV1L14-20	37
	3-1721527-6	T9CV1L14-18	18VDC	T9CV1L14-18	36
	3-1721527-5	T9CV1L14-15	15VDC	T9CV1L14-15	35
	3-1721527-4	T9CV1L14-12	12VDC	T9CV1L14-12	34
	3-1721527-3	T9CV1L14-9	9VDC	T9CV1L14-9	33
	3-1721527-2	T9CV1L14-6	6VDC	T9CV1L14-6	32
	3-1721527-1	T9CV1L14-5	5VDC	T9CV1L14-5	31
	3-1721527-0	T9CV1D14-48	48VDC	T9CV1D14-48	30
	2-1721527-9	T9CV1D14-24	24VDC	T9CV1D14-24	29
	2-1721527-8	T9CV1D14-22	22VDC	T9CV1D14-22	28
	2-1721527-7	T9CV1D14-20	20VDC	T9CV1D14-20	27
	2-1721527-6	T9CV1D14-18	18VDC	T9CV1D14-18	26
	2-1721527-5	T9CV1D14-15	15VDC	T9CV1D14-15	25
	2-1721527-4	T9CV1D14-12	12VDC	T9CV1D14-12	24
	2-1721527-3	T9CV1D14-9	9VDC	T9CV1D14-9	23
	2-1721527-2	T9CV1D14-6	6VDC	T9CV1D14-6	22
	2-1721527-1	T9CV1D14-5	5VDC	T9CV1D14-5	21
	PART NO.	TE TYPE NAME	PART B (VOLTAGE)	PART A	ITEM

THIS DRAWING IS A CONTROLLED DOCUMENT.		DWN	JM.CAO	-	 TE Connectivity
		CHK	YIP.ANTHONY	-	
		APVD	N.FUNAYAMA	-	
DIMENSIONS: mm		TOLERANCES UNLESS OTHERWISE SPECIFIED:		NAME	
		0 PLC ± -		-	
		1 PLC ± -		-	
MATERIAL		2 PLC ± -		-	
		3 PLC ± -		-	
FINISH		4 PLC ± -		-	
		ANGLES ± -		-	
		WEIGHT	-	SIZE	
		CUSTOMER DRAWING		A3	CAGE CODE
				00779	DRAWING NO
				C=1721527	RESTRICTED TO
				-	
				SCALE	SHEET
				3:1	2 OF 2
				REV	E

# Mouser Electronics

Authorized Distributor

Click to View Pricing, Inventory, Delivery & Lifecycle Information:

[TE Connectivity:](#)

[1721527-9](#)