

KSC5 Series

Tact Switch with Rocker Option for SMT



Features/Benefits

- Can be actuated from either side or top
- Tin plated terminals
- Washable & sealed
- Compatible with automatic insertion machines

Typical Applications

- Automotive
- Computers
- Instrumentation

Specification

FUNCTION: Momentary action
 CONTACT ARRANGEMENT: 1 make contact = SPST, N.O.
 TERMINALS: J bend & Gullwing type for SMT

Environmental

	Silver	Gold
OPERATING TEMPERATURE:	-40°C to 85°C	-40°C to 125°C
STORAGE TEMPERATURE:	-55°C to 85°C	-55°C to 125°C

Electrical

	Silver	Gold
MAXIMUM POWER:	1 VA	0.2 VA
MAXIMUM VOLTAGE:	32 VDC	32 VDC
MINIMUM VOLTAGE:	20 mV	20 mV
MAXIMUM CURRENT:	50 mA	10 mA
MINIMUM CURRENT:	1 mA	1 mA

Process

SOLDERING: Infrared reflow in accordance with CECC00802

Packaging

Switches delivered on continuous tape & reels of 1,000 pieces, 330 (12.992) external diameter. Other dimensions according to EIA-RS-481 standard.

DIELECTRIC STRENGTH (50 Hz, 1 min.): > 250 V
 CONTACT RESISTANCE: < 100 mΩ
 INSULATION RESISTANCE (100 V): > 10⁹ Ω
 BOUNCE TIME: < 1 ms

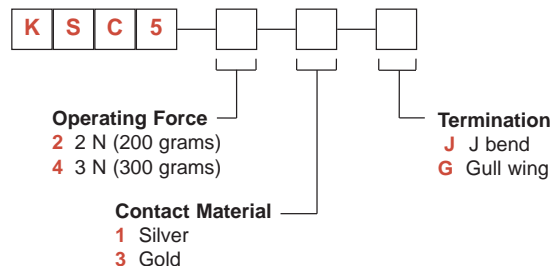
Mechanical

Type	Operating force axial FA N (grams) ±25%	Operating force lateral FL N (grams) ±30%	Travel to make axial (mm)	Travel to make lateral (mm)	Life expectancy cycles, axial	Life expectancy cycles, lateral
KSC521G	2.0 (200)	1.9 (190)	0,25 ± 0,15	0,5 ± 0,25	100,000	10,000
KSC541G	3.0 (300)	2.8 (280)	0,25 ± 0,15	0,5 ± 0,25	100,000	10,000

NOTE: Part numbers listed above do not represent all possible configurations. For information on specific and custom switches, consult Customer Service Center.

How To Order

Our easy build-a-switch concept allows you to mix and match options to create the switch you need. To order, select desired option from each category and place it in the appropriate box.



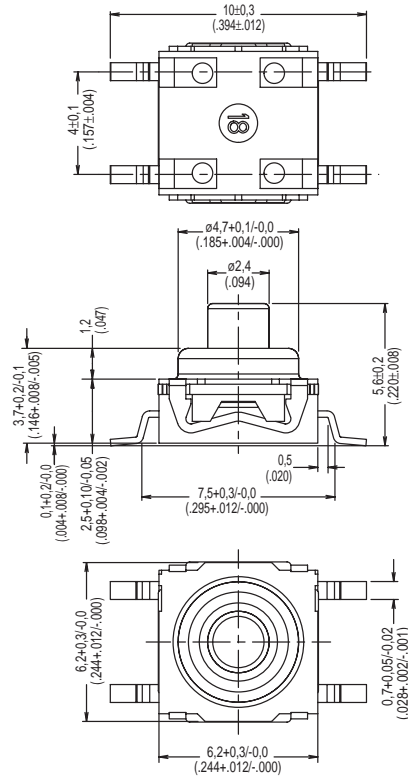
KSC5 Series Tact Switch with Rocker Option for SMT

ACTUATOR

KSC5



KSC521G



Tactile Switches

B

OPERATING FORCE

OPTION CODE	OPERATING FORCE
2	2 N (200 grams)
4	3 N (300 grams)

CONTACT MATERIAL

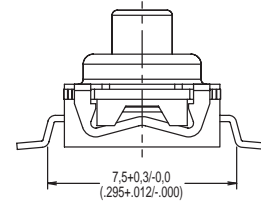
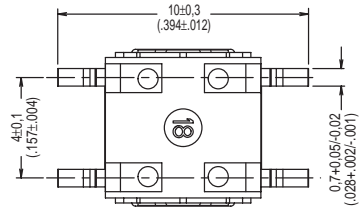
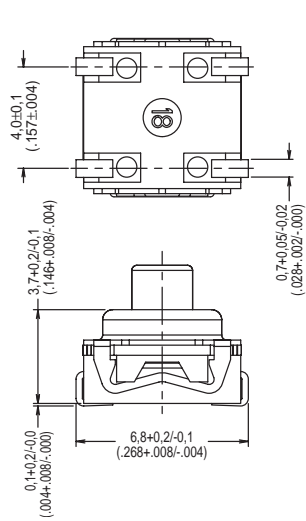
OPTION CODE	MATERIAL
1	Silver
3	Gold

KSC5 Series Tact Switch with Rocker Option for SMT

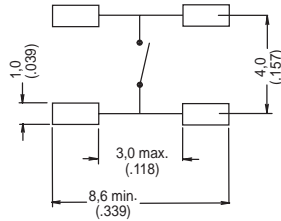
TERMINATION

J J BEND

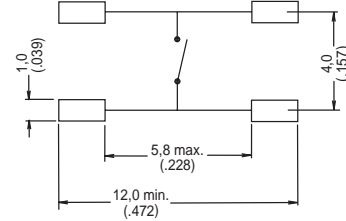
G GULLWING



PAD LAYOUT



PAD LAYOUT



FOR KSC5 G & J TERMINATION

TAPE & REEL

