

THIS DRAWING IS UNPUBLISHED. RELEASED FOR PUBLICATION
 © COPYRIGHT - By - ALL RIGHTS RESERVED.

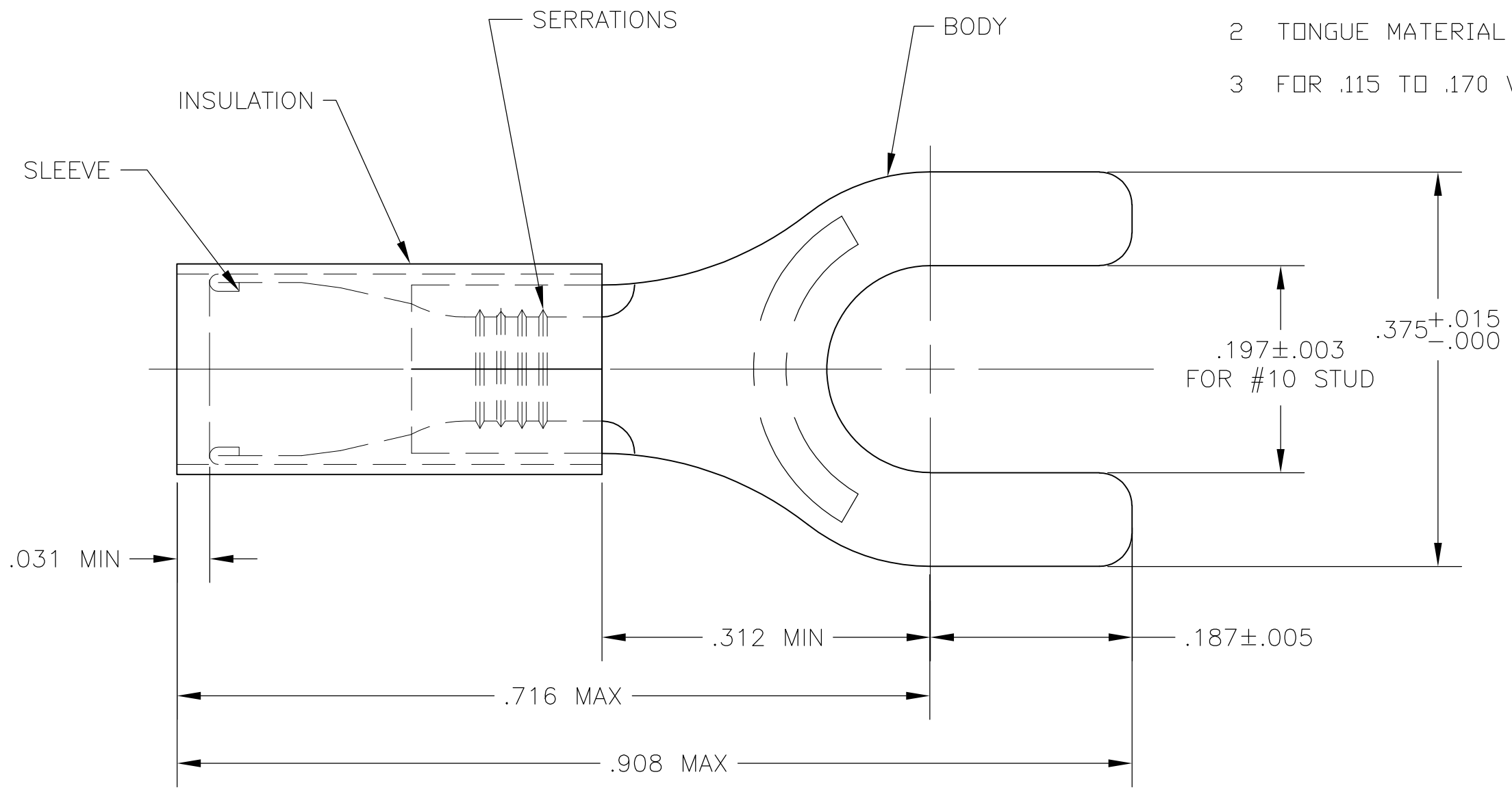
LOC	DIST	REVISIONS					
		P	LTR	DESCRIPTION	DATE	DWN	APVD
G	14		H1	REVISED PER ECO-11-004917	11MAR11	RK	HMR

PART NO	PACKAGE TYPE	QTY
8-32060-1	LOOSE PIECE, BOX	100


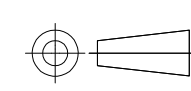
1 MATERIAL: BODY & SLEEVE - COPPER PER ASTM B152
 TIN PLATE PER ASTM B545
 INSULATION - NYLON, COLOR- BLUE

2 TONGUE MATERIAL THK IS .031±.002

3 FOR .115 TO .170 WIRE INSULATION DIA.



1	32060 ON TAPE	2-32060-1
1	WIRE TERMINAL	32060
QTY	DESCRIPTION	PART NO

THIS DRAWING IS A CONTROLLED DOCUMENT.		DWN jr_ruth 10NOV04	 TE Connectivity NAME WIRE TERMINAL, PIDG - SPADE, WIRE SIZE : 16-14				
DIMENSIONS: INCHES		CHK T MICHELUTTI 10NOV04					
		APVD T MICHELUTTI 10NOV04					
TOLERANCES UNLESS OTHERWISE SPECIFIED:		PRODUCT SPEC					
0 PLC ± - 1 PLC ± - 2 PLC ± - 3 PLC ± .008 4 PLC ± - ANGLES ± 5°		APPLICATION SPEC	SIZE	CAGE CODE	DRAWING NO	RESTRICTED TO	
MATERIAL		FINISH	A300779		C-32060	-	
1		1	CUSTOMER DRAWING		SCALE 8:1	SHEET 1 OF 1	REV H1

Mouser Electronics

Authorized Distributor

Click to View Pricing, Inventory, Delivery & Lifecycle Information:

[TE Connectivity:](#)

[8-32060-1](#)