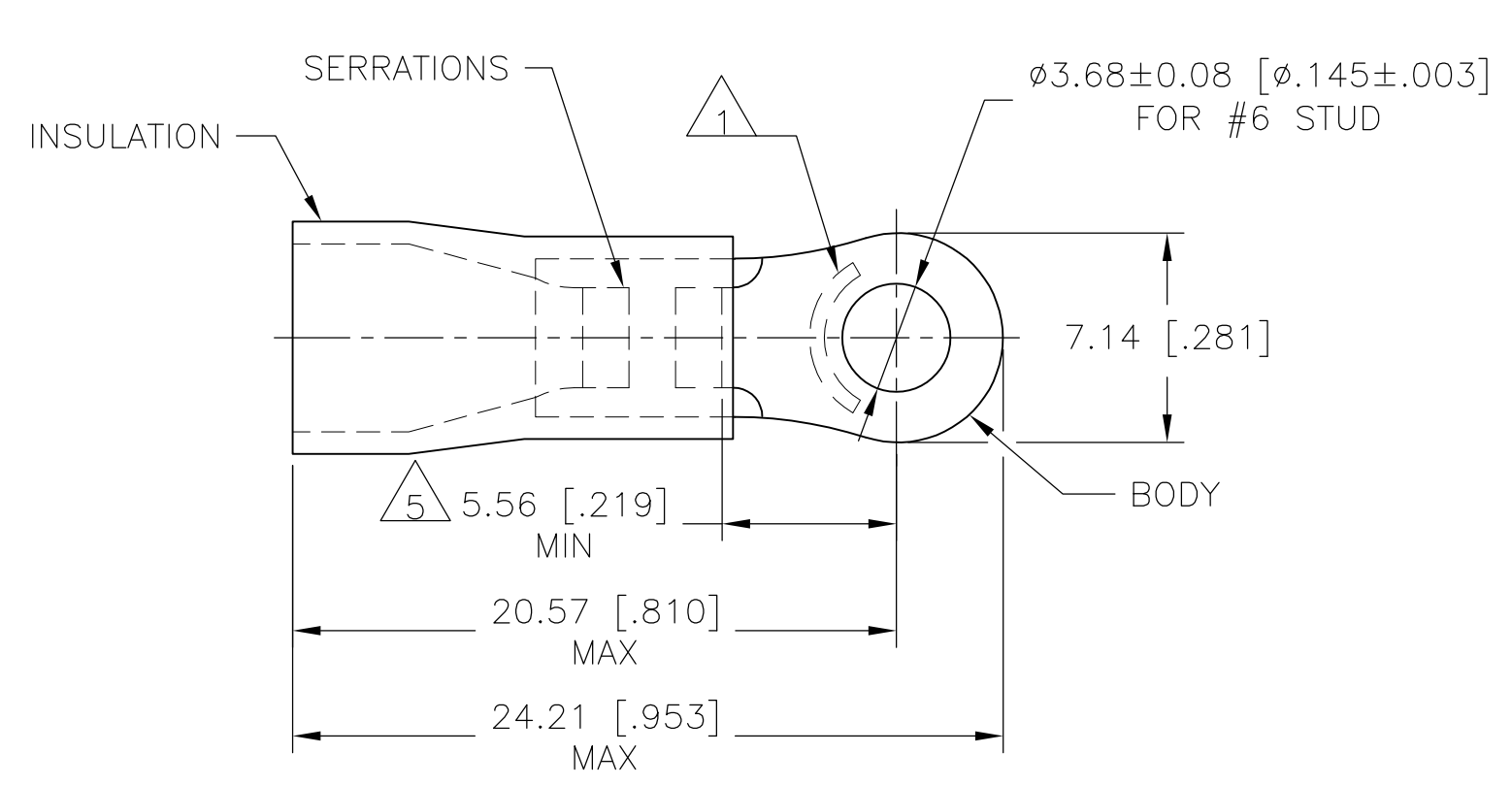


THIS DRAWING IS UNPUBLISHED. RELEASED FOR PUBLICATION
 © COPYRIGHT - By - ALL RIGHTS RESERVED.

REVISIONS					
P	LTR	DESCRIPTION	DATE	DWN	APVD
P2		REVISED PER ECO-11-004820	11MAR11	RK	HMR
P3		REVISED PER ECR-16-016660	02DEC2016	RS	DR

AMP WIRE RANGE	Listed	LR7189 Certified
12-10 AWG SOLID OR STRANDED	12-10 AWG SOLID OR STRANDED	12-10 AWG SOLID OR STRANDED



- 1 STAMP AMP 12-10* APPROX AS SHOWN.
- 2 WIRE INSULATION DIA: $\phi 3.81-6.35$ [$\phi .150-.250$].
- 3 TONGUE MATERIAL THK: $0.99^{+0.05}$ [$.039^{+.002}$].
- 4 MATERIAL: BODY - CU PER ASTM B152
SLEEVE - PVC, COLOR - YELLOW.
- 5 APPLIES FROM EDGE OF METAL WIRE BARREL TO CENTER OF STUD HOLE.

50	LOOSE PC,BOX	8-34852-2
2000	ON TAPE, REEL	2-34852-1
500	LOOSE PIECE	34852
QTY.	PACKAGE TYPE	PART NUMBER

AMP INCORPORATED CUSTOMER SERVICE SYSTEMS		MAX RECOMMENDED OPERATING TEMPERATURE: 105°C [221°F]	THIS DRAWING IS A CONTROLLED DOCUMENT.		DWN DK SCHRUM 08/06/92	TE Connectivity				
FOR ADDITIONAL PRODUCT INFORMATION OR COPIES OF DRAWINGS AND TECHNICAL DOCUMENTS	PRODUCT INFORMATION CENTER 1-800-522-6752	VOLTAGE RATING: 600 V MAX. FOR BUILDING WIRE 1000 V FOR FIXTURES & SIGNS	DIMENSIONS: mm [INCHES]	TOLERANCES UNLESS OTHERWISE SPECIFIED:	CHK RE HERSEY 11/10/92					NAME
FOR APPLICATION TOOLING INFORMATION	TOOLING ASSISTANCE CENTER 1-800-722-1111	CIRCULAR MIL AREA: 2.62-6.64mm ² [5,180-13,100] SOLID OR STRANDED		0 PLC ± - 1 PLC ± - 2 PLC ± 0.20[.008] 3 PLC ± - 4 PLC ± - ANGLES ± -	APVD M BARNABA 11/10/92	TERMINAL, RING TONGUE, PLASTI-GRIP WIRE SIZE 12-10 AWG				
FOR ORDER ENTRY	1-800-526-5142		MATERIAL	FINISH	PRODUCT SPEC	114-2161	SIZE	CAGE CODE	DRAWING NO	RESTRICTED TO
				TIN PER ASTM B545	APPLICATION SPEC	114-2161	A3	00779	C-34852	
					WEIGHT	-	CUSTOMER DRAWING		SCALE	4:1
							SHEET		1 OF 1	REV P3

Mouser Electronics

Authorized Distributor

Click to View Pricing, Inventory, Delivery & Lifecycle Information:

[TE Connectivity:](#)

[8-34852-2](#)