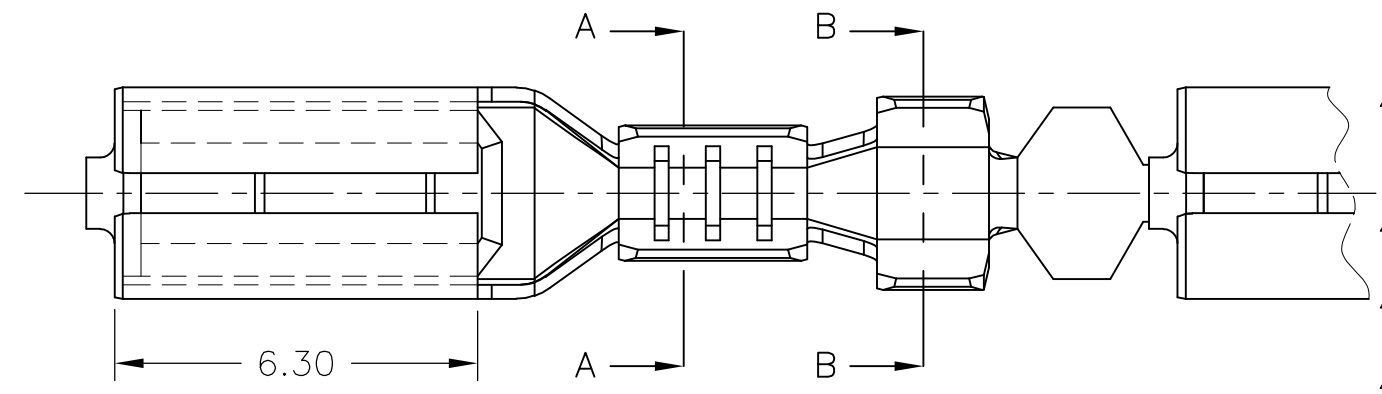
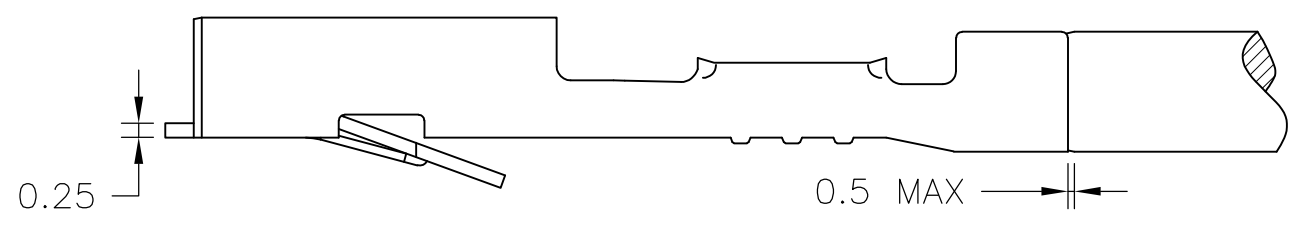
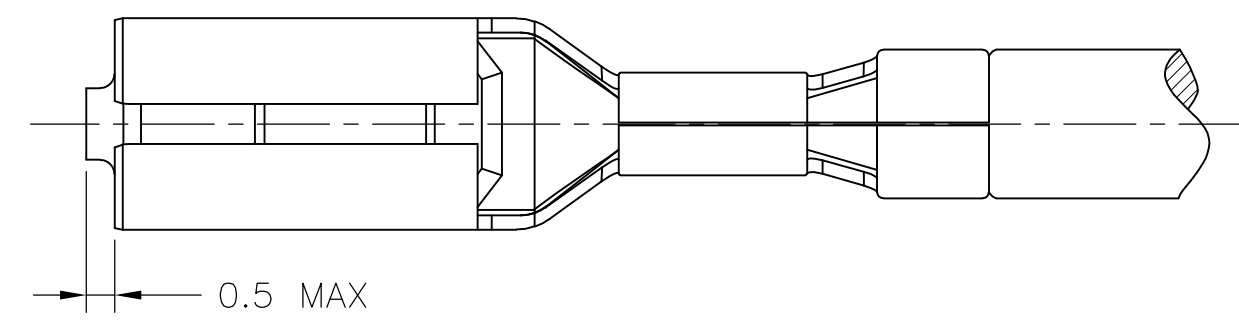
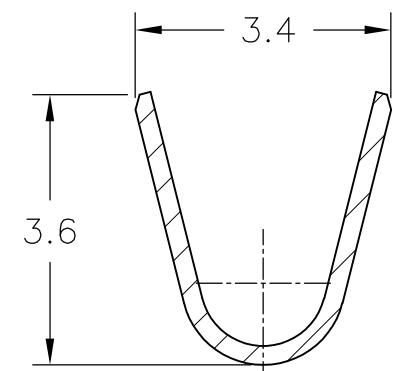
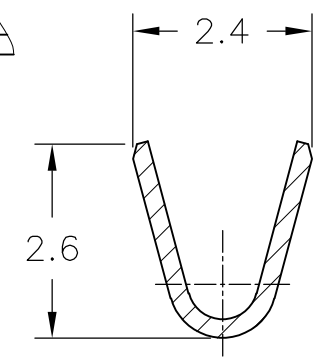
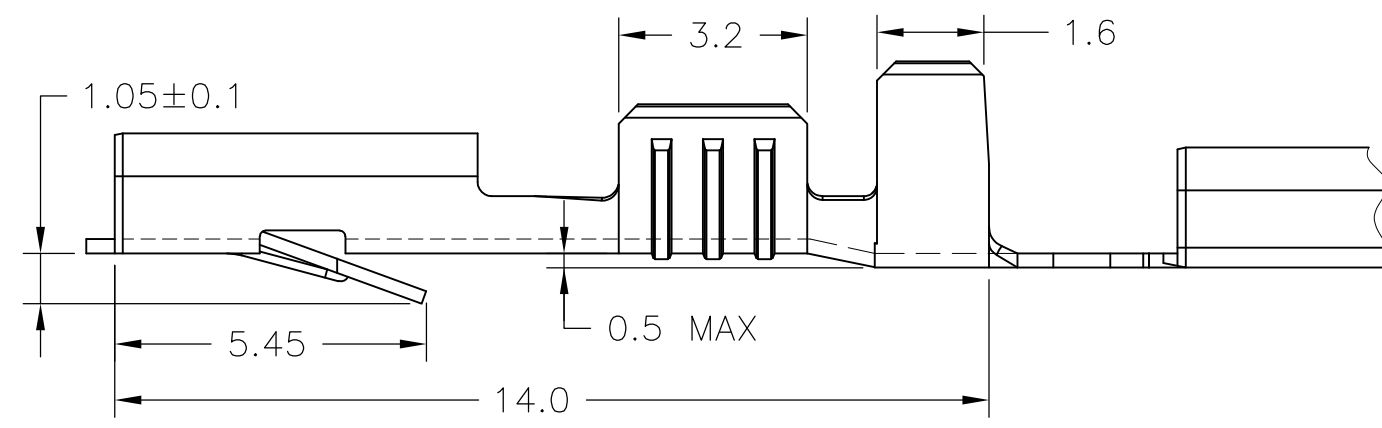
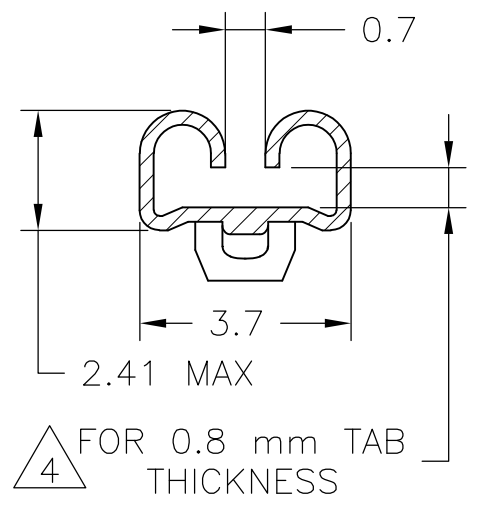


THIS DRAWING IS UNPUBLISHED. RELEASED FOR PUBLICATION  
 © COPYRIGHT - TE Connectivity Ltd. ALL RIGHTS RESERVED.

REVISIONS				
P	LTR	DESCRIPTION	DATE	APVD
	D2	REDRAWN PER ECR-17-018705	06DEC2017	BDA GG

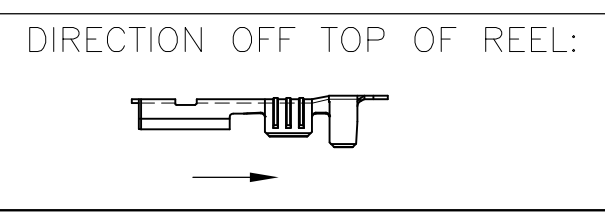


- 1 FOR USE ON MINIATURE APPLICATORS (LEFT-RIGHT FEED) AND STANDARD APPLICATORS (RIGHT-LEFT FEED)
- 2 BRASS ACC. ASTM B36 ALLOY 260.
- 3 PH. BRONZE ACC. ASTM B103.
- 4 GAGE 0.74 MUST NOT ENTER, GAGE 0.58 MUST ENTER.
- 5 REELED WITH PAPER COVER.
- 6 UNLESS OTHERWISE SPECIFIED ALL TOLERANCES ±0.4mm



NOTES	FINISH	MATERIAL	PART NUMBER
3 1	PH. BRONZE	PH. BRONZE 6XSn	160864-6
3 1	PH. BRONZE	PH. BRONZE 6XSn	160864-5
3 1	PRE -TINPLATED	PH. BRONZE 4XSn	160864-4
3 1	UNPLATED	PH. BRONZE 4XSn	160864-3
2 1	PRE -TINPLATED	BRASS	160864-2
2 1	UNPLATED	BRASS	160864-1

WIRE RANGE:  
0.5-1.0mm<sup>2</sup>  
INSULATION RANGE:  
1.4-2.3 DIA



THIS DRAWING IS A CONTROLLED DOCUMENT.

DIMENSIONS: mm	TOLERANCES UNLESS OTHERWISE SPECIFIED:
	0 PLC ± -
	1 PLC ± -
	2 PLC ± -
	3 PLC ± -
	4 PLC ± -
	ANGLES ± -
MATERIAL	FINISH
-	-

06DEC2017  
DWN BASAVARAJA D A  
06DEC2017  
CHK GUNASEKHAR G  
06DEC2017  
APVD GUNASEKHAR G  
NAME  
PRODUCT SPEC  
APPLICATION SPEC  
WEIGHT

**STE** TE Connectivity

.110 SERIES FASTIN-ON RECEPTACLE

SIZE	CAGE CODE	DRAWING NO	RESTRICTED TO
A3	00779	C-160864	-

CUSTOMER DRAWING SCALE 4:1 SHEET 1 OF 1 REV D2

# Mouser Electronics

Authorized Distributor

Click to View Pricing, Inventory, Delivery & Lifecycle Information:

[TE Connectivity:](#)

[160864-2](#)