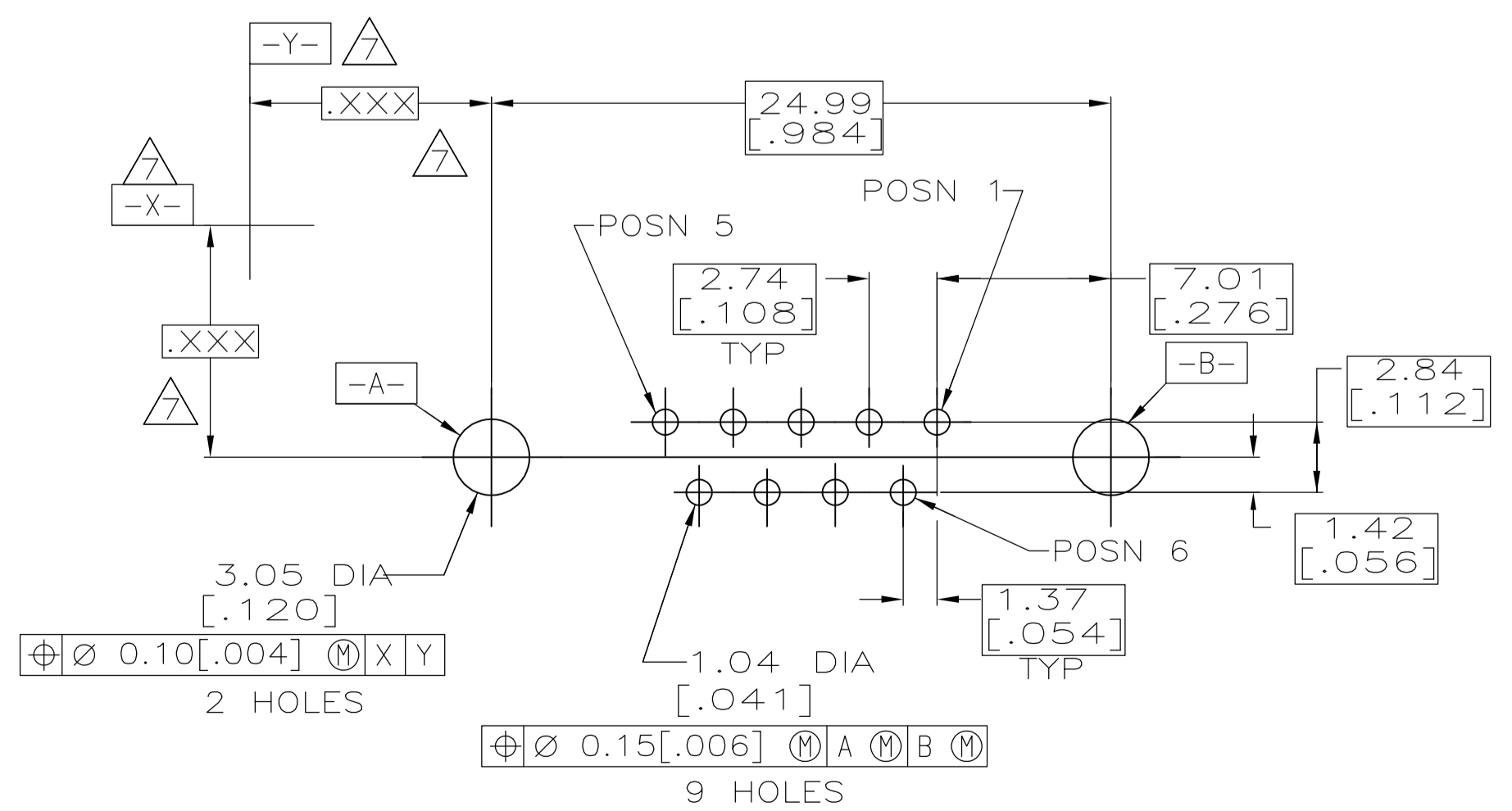
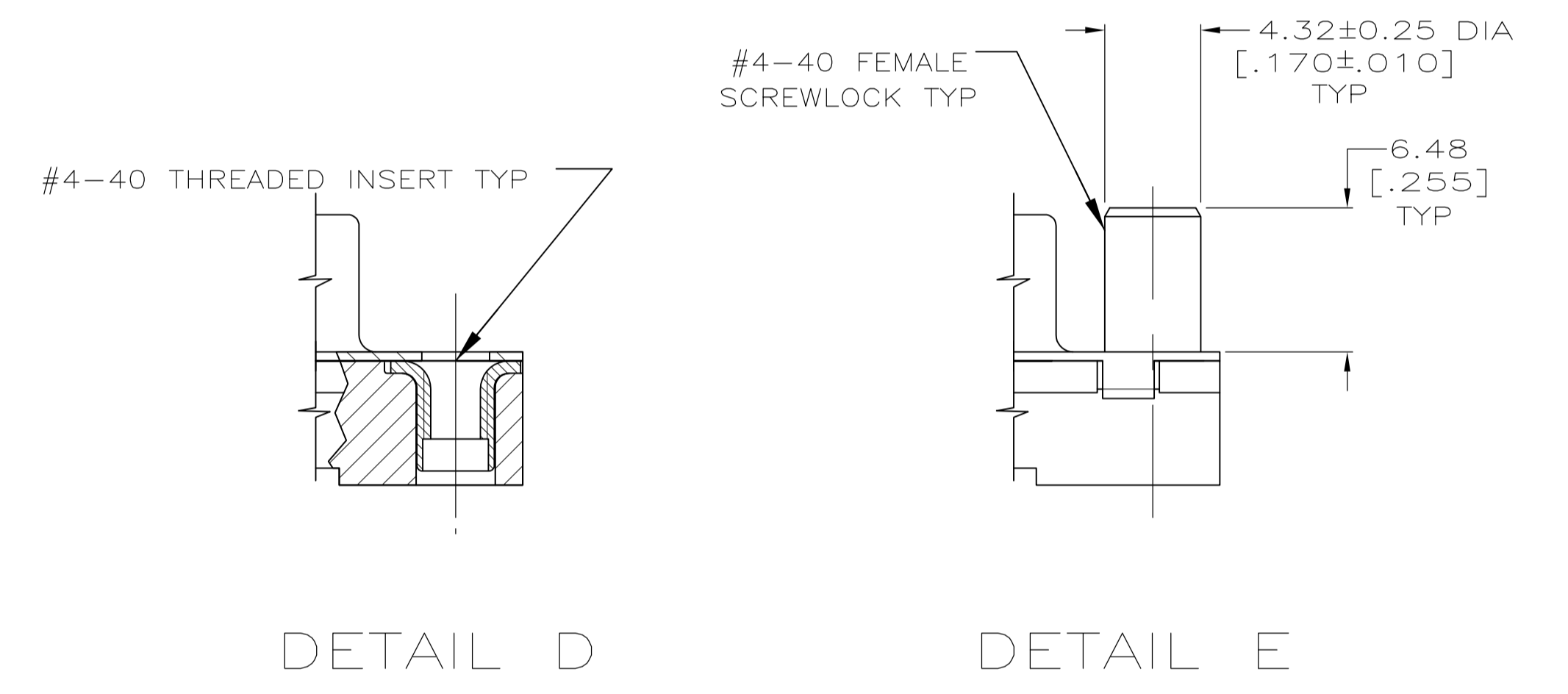
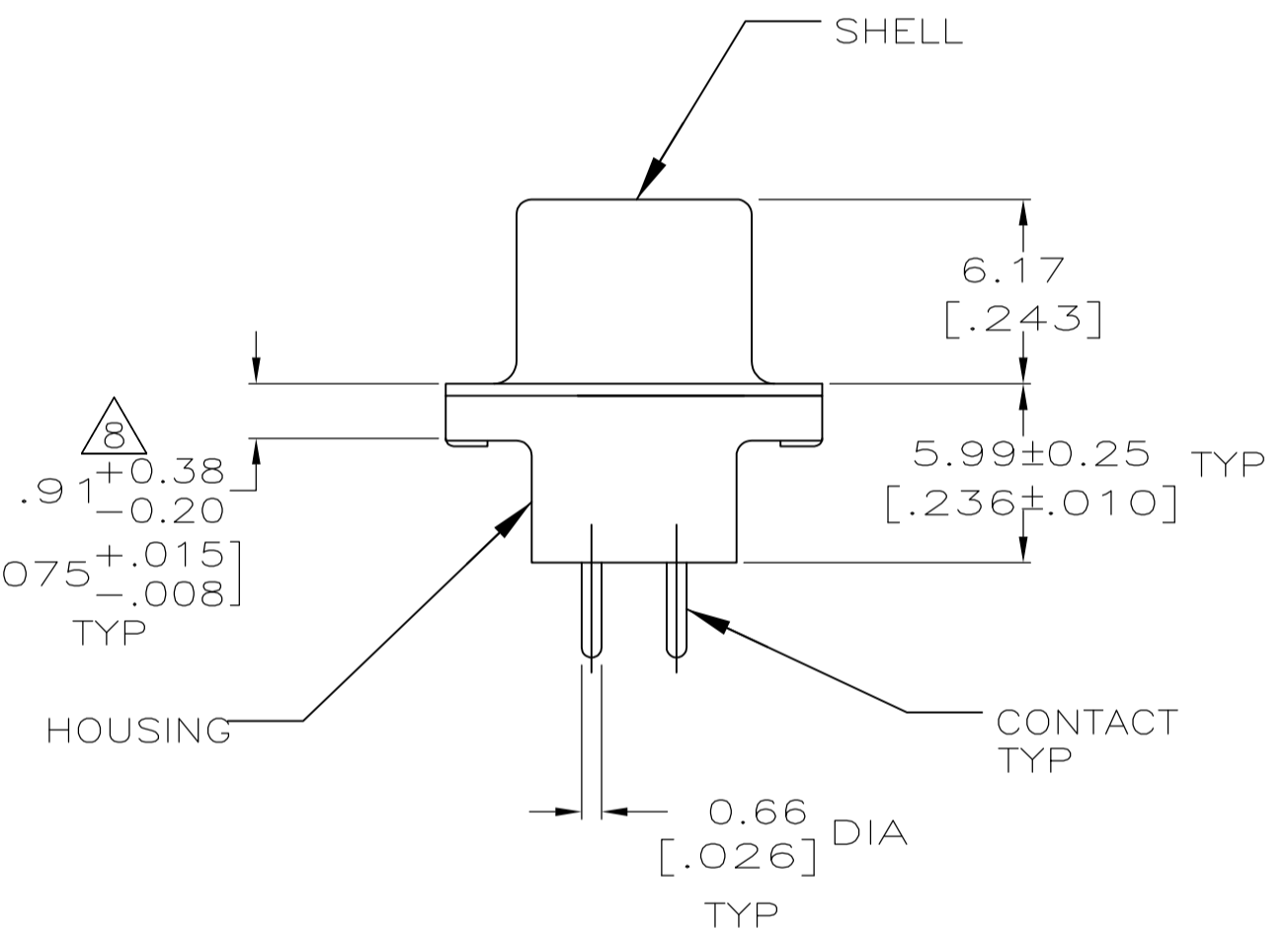
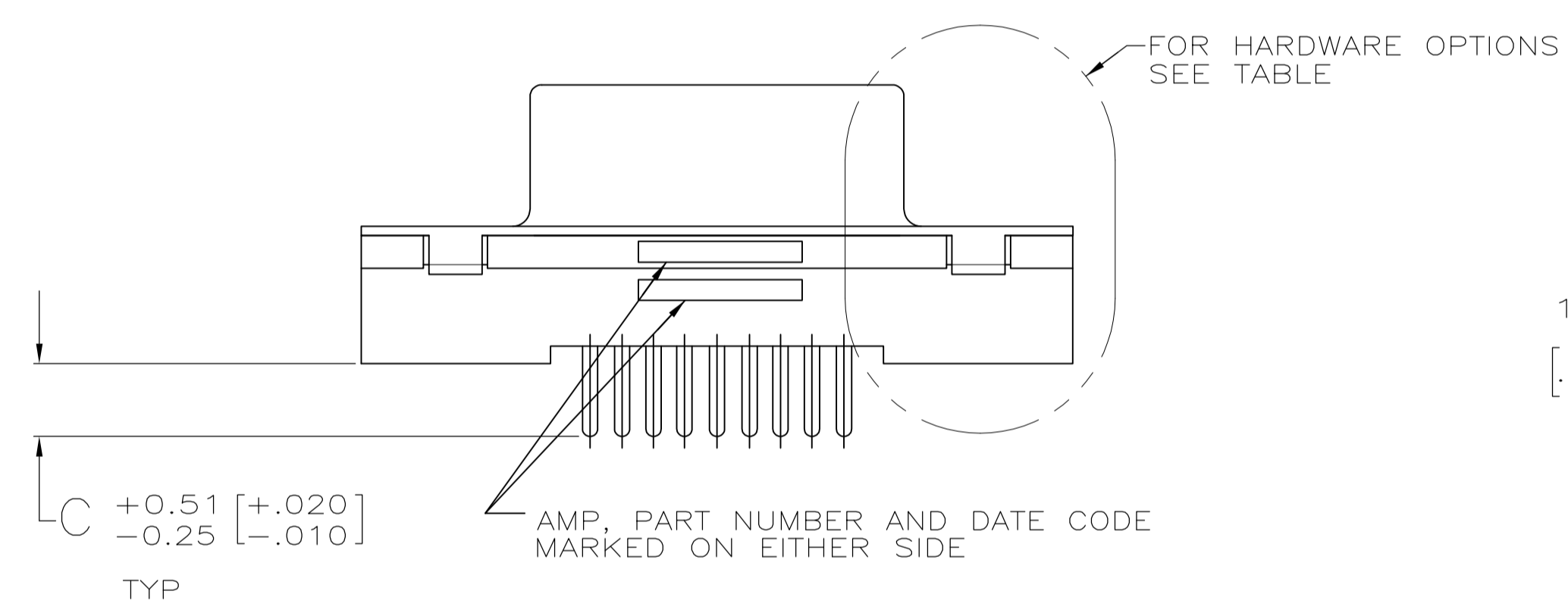
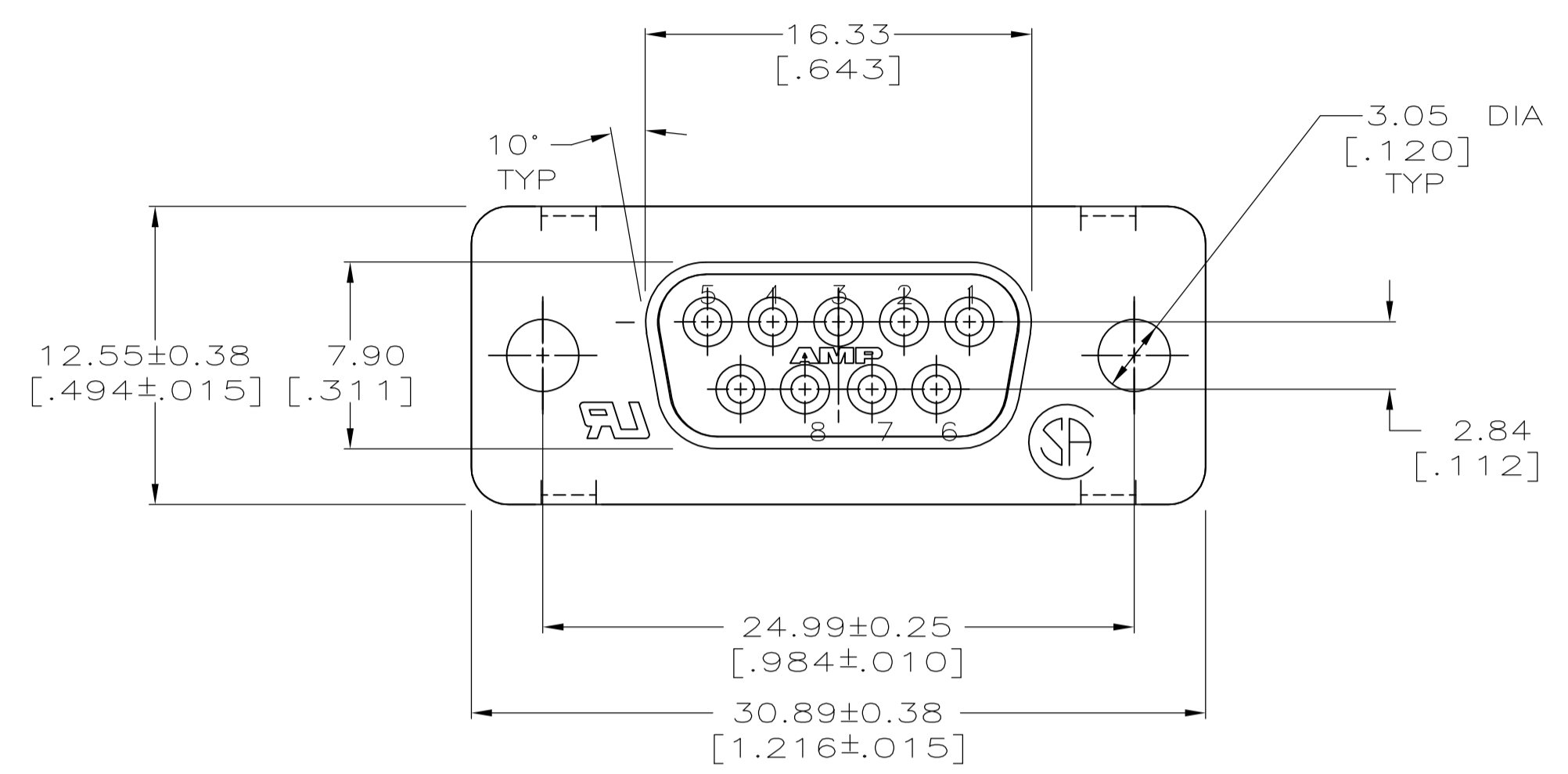


- 1 HOUSING: POLYESTER, UL 94V-0 RATED, BLACK.
- 2 SHELL: CARBON STEEL.
- 3 SHELL: 5.08um [.000200] MIN TIN OVER 2.54um [.000100] MIN COPPER.
- 4 GOLD FLASH FOR A LENGTH OF 2.54[.100] MIN FROM MATING END, 2.54um [.000100] MIN TIN OR TIN-LEAD ON OPPOSITE END, BOTH OVER 1.27um [.000050] MIN NICKEL.
- 5 0.76um [.000030] MIN GOLD FOR A LENGTH OF 2.54 [.100] MIN FROM MATING END, 2.54um [.000100] MIN TIN OR TIN-LEAD ON OPPOSITE END, BOTH OVER 1.27um [.000050] MIN NICKEL.
- 6 NOTE DELETED.
- 7 DATUMS AND BASIC DIMENSIONS ESTABLISHED BY CUSTOMER.
- 8 2.79[.110] MAX IN SHELL TAB CLINCH AREAS.
- 9 SUPERSEDED BY 747150-2.
- 10 SUPERSEDED BY 747150-9.
- 11 SUPERSEDED BY 1-747150-6.
- 12 OBSOLETE.
- 13 CONTACTS: PHOSPHOR BRONZE.
- 14 SCREWLOCKS: ZINC.
- 15 INSERTS: BRASS.



RECOMMENDED PC BOARD LAYOUT
CONNECTOR SIDE OF PC BOARD

| | | | |
|---|---|-------------|------------|
| W/FEMALE SCREWLOCKS PER DETAIL E | 5 | 4.32 [.170] | 1-747150-6 |
| | 4 | 4.32 [.170] | 1-747150-5 |
| W/THREADED INSERTS PER DETAIL D | 5 | 3.18 [.125] | 1-747150-4 |
| | 4 | 3.18 [.125] | 1-747150-3 |
| | 5 | 6.35 [.250] | 1-747150-1 |
| | 4 | 4.32 [.170] | 747150-9 |
| WO/FEMALE SCREWLOCKS OR THREADED INSERTS AS SHOWN | 5 | 3.18 [.125] | 747150-8 |
| | 4 | 3.18 [.125] | 747150-7 |
| | 5 | 4.32 [.170] | 747150-4 |
| HARDWARE OPTIONS | 5 | 3.18 [.125] | 747150-2 |
| | 4 | 3.18 [.125] | 747150-1 |
| FINISH | C | | PART NO |

THIS DRAWING IS A CONTROLLED DOCUMENT. **STE** TE Connectivity

| | | | |
|-------------------------|--|------------------------|----------------------------|
| DIMENSIONS: mm [INCHES] | TOLERANCES UNLESS OTHERWISE SPECIFIED: | DIN D BROCKWAY 3-22-93 | DRW R STONE 5-10-93 |
| 0 PLC ± - | 1 PLC ± - | 2 PLC ± 0.13 [.005] | 3 PLC ± - |
| 4 PLC ± - | ANGLES ± - | PRODUCT SPEC 108-40025 | APPLICATION SPEC 114-40023 |
| MATERIAL | FINISH | WEIGHT | SIZE |
| CONTACTS: SEE TABLE | SCALE 4:1 | SHEET 1 OF 1 | REV M1 |

Mouser Electronics

Authorized Distributor

Click to View Pricing, Inventory, Delivery & Lifecycle Information:

[TE Connectivity:](#)

[747150-7](#)