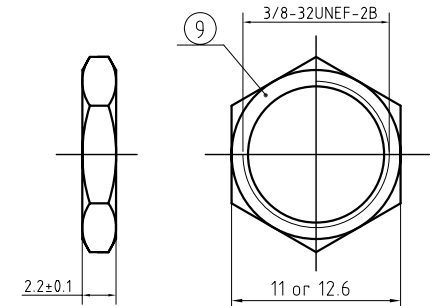
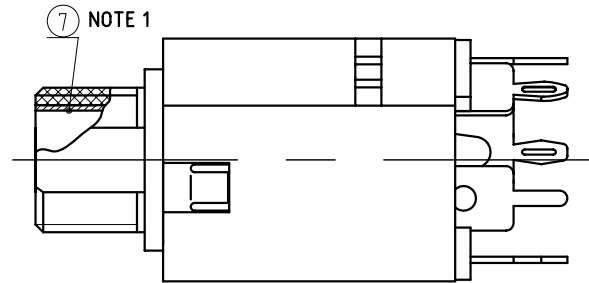


PCB MOUNTING HOLES(±0.1)
(COMPONENT SIDE)



HEX NUT

FLAT WASHER

PART No.	ACJM-MIV-2	ACJM-MIV-2S	ACJS-MIV-3	ACJS-MIV-3S	ACJS-MIV-5
SCHEMATIC					

9	HEX NUT	1	H59 (COPPER ALLOY)	Ni-PLATED(Cu:2-3um, Ni:2-3um) RoHS COMPLIANT
8	FLAT WASHER	1	H62Y OR STEEL t=0.5	
7	METAL TUBE	1	H59 (COPPER ALLOY)	Ag-PLATED(Cu:2-3um, Ag:0.3um) RoHS COMPLIANT
6	BODY	1	PBT G10 94HB	
5	5# TERMINAL	1	H62Y t=0.4 (C2680R-H)	
4	4# TERMINAL	1	H62Y t=0.4 (C2680R-H)	
3	3# TERMINAL	1	QSn6.5-0.1Y t=0.35 (C5210R-H)	
2	2# TERMINAL	1	QSn6.5-0.1Y t=0.4 (C5210R-H)	
1	1# TERMINAL	1	QSn6.5-0.1Y t=0.4 (C5210R-H)	
NO.	NAME	QTY	MATERIAL(THICK,COLOR)	REMARK

NOTE 1: METAL TUBE IS NOT CONNECTED TO TERMINAL 1

UNLESS OTHERWISE SPECIFIED TOLERANCE TO BE		THIS DOCUMENT IS THE PROPERTY OF AMPHENOL AUSTRALIA PTY. LTD.. NO PART THEREOF MAY BE REPRODUCED AND USED WITHOUT THE PRIOR WRITTEN CONSENT OF THE OWNER				0	FIRST ISSUE	M.H	19-11-09	----		
LINEAR	ANGULAR	CAD FILE: 55010639000110				REV.	CHANGE DETAILS	BY	DATE	CHG/No		
X ± 0.5	X° ± 1°	DRN:	M.H	DATE:	19-11-09	TITLE: 6.5mm INSULATED VERTICAL JACK CUSTOMER DRAWING		Amphenol Amphenol Australia Pty.Ltd, 2 Fireways Blvd, Keysborough, Vic.3173 DRAWING NO. 55010639-000-1 SHEET 1 OF 1				
X.X ± 0.1	X°X' ± 30'	MATL:	SEE TABLE	CKD:	M.H						DATE:	19-11-09
X.XX ± 0.05	X°X'X" ± 15"	APP'D:	M.H	DATE:	19-11-09							
BREAK ALL SHARP EDGES AND REMOVE ALL BURRS		DO NOT SCALE	FINISH:	SEE TABLE	APP'D:	M.H	DATE:	19-11-09	SCALE: NTS			
DIMENSIONS IN MILLIMETRES		THIRD ANGLE PROJECTION		SCALE:	NTS	PART No:	SEE TABLE	SIZE:	A4	55010639-000-1 1 OF 1		

Mouser Electronics

Authorized Distributor

Click to View Pricing, Inventory, Delivery & Lifecycle Information:

[Amphenol:](#)

[ACJM-MIV-2](#) [ACJM-MIV-2S](#) [ACJS-MIV-3](#) [ACJS-MIV-3S](#) [ACJS-MIV-5](#)