

**PLEASE CHECK WWW.MOLEX.COM FOR LATEST PART INFORMATION**

**Part Number:** [0850400012](#)  
**Status:** **Active**  
**Overview:** [DIN 41612](#)  
**Description:** 2.54mm Pitch DIN 41612 Receptacle, Style B/2, 32 Circuits, Lead-Free

**Documents:**

[3D Model](#) [Product Specification PS-85042-001 \(PDF\)](#)  
[Drawing \(PDF\)](#) [RoHS Certificate of Compliance \(PDF\)](#)

**Agency Certification**

CSA LR19980  
 UL E29179

**General**

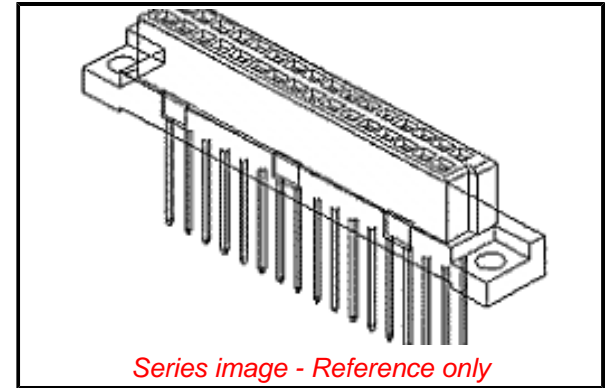
Product Family Backplane Connectors  
 Series [85040](#)  
 Application Daughtercard  
 Comments No Mounting Clips. No Flux Proof, No Mounting Clips.  
 No Flux Proof  
 Component Type PCB Receptacle  
 Overview [DIN 41612](#)  
 Product Name IEC 603-2/DIN 41612  
 Style B/2  
 UPC 800753856745

**Physical**

Circuits (Loaded) 32  
 Circuits (maximum) 32  
 Circuits Detail Standard Contacts at: A:a1-a16; B:b1-b16  
 Durability (mating cycles max) 400  
 First Mate / Last Break No  
 Flammability 94V-0  
 Guide to Mating Part No  
 Keying to Mating Part Yes  
 Material - Plating Mating Gold  
 Net Weight 4.986/g  
 Number of Columns 16  
 Number of Pairs Open Pin Field  
 Number of Rows 2  
 Orientation Vertical  
 PC Tail Length 2.90mm  
 PCB Locator No  
 PCB Retention Yes  
 PCB Thickness - Recommended 1.60mm, 4.00mm  
 Packaging Type Bag  
 Pitch - Mating Interface 2.54mm  
 Pitch - Termination Interface 2.54mm  
 Polarized to PCB Yes  
 Stackable No  
 Surface Mount Compatible (SMC) No  
 Temperature Range - Operating -55° to +125°C  
 Termination Interface: Style Through Hole

**Electrical**

Current - Maximum per Contact 1.0A  
 Data Rate 622.0 Mbps  
 Real Signals (per 25mm) 20



*Series image - Reference only*

**EU ELV**

**Not Relevant**

**EU RoHS**

**Compliant**

**REACH SVHC**

Not Contained Per -  
 ED/71/2019 (16 July  
 2019)

**Halogen-Free**

**Status**

**Not Low-Halogen**

For more information, please visit [Contact US](#)

China ROHS

ELV

RoHS Phthalates

Green Image

Not Relevant

Not Contained

**Search Parts in this Series**

[85040 Series](#)

**Mates With**

DIN 41612 Headers [85001](#) , [85011](#)

Shielded No  
Voltage - Maximum 250V AC (RMS)

**Solder Process Data**

Lead-freeProcess Capability N/A

**Material Info**

**Reference - Drawing Numbers**

Product Specification PS-85042-001  
Sales Drawing SDA-85040-0002, SDA-85040-0012

This document was generated on 09/17/2019

**PLEASE CHECK [WWW.MOLEX.COM](http://WWW.MOLEX.COM) FOR LATEST PART INFORMATION**

# Mouser Electronics

Authorized Distributor

Click to View Pricing, Inventory, Delivery & Lifecycle Information:

[Molex:](#)

[85040-0012](#)