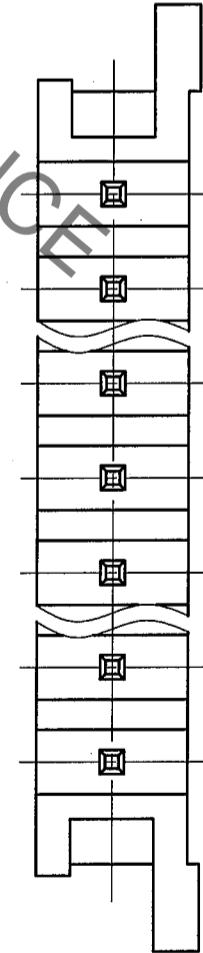
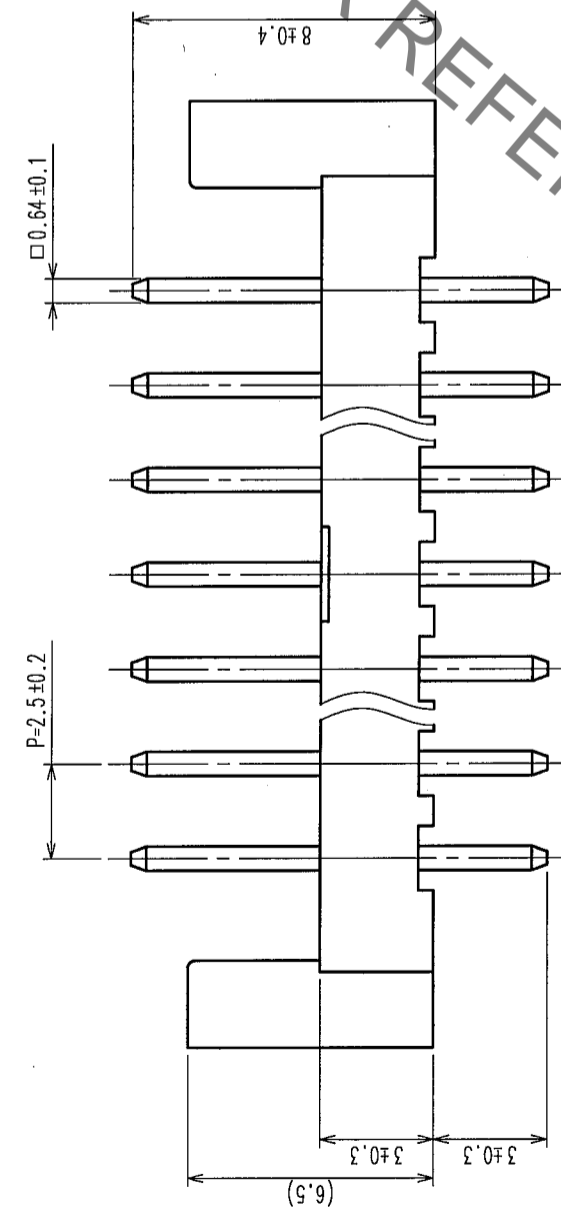
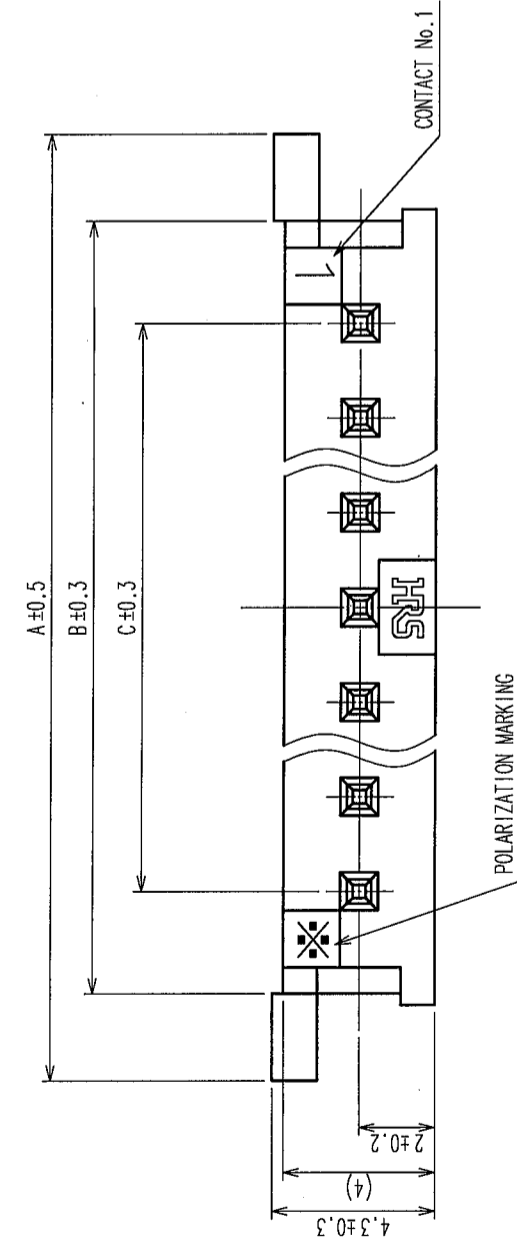


In case of consideration for using Automotive equipment / device which demand high reliability, kindly contact our sales winglow correspondents.

COUNT	DESCRIPTION OF REVISIONS	BY	CHKD	DATE	COUNT	DESCRIPTION OF REVISIONS	BY	CHKD	DATE
△					△				
△					△				
△					△				



C O D E No.	NUMBER OF CONTACT	P A R T S No.	A	B	C
CL218-0012-4-55	2	HNC2-2.5P-2DS(55)	12.5	7.8	2.5
CL218-0023-0-55	3	HNC2-2.5P-3DS(55)	15.0	10.4	5.0
CL218-0040-0-55	4	HNC2-2.5P-4DS(55)	17.5	12.9	7.5
CL218-0028-4-55	5	HNC2-2.5P-5DS(55)	20.0	15.4	10.0
CL218-0043-8-55	6	HNC2-2.5P-6DS(55)	22.5	17.9	12.5
CL218-0031-9-55	7	HNC2-2.5P-7DS(55)	25.0	20.4	15.0
CL218-0015-2-55	8	HNC2-2.5P-8DS(55)	27.5	22.8	17.5
CL218-0018-0-55	10	HNC2-2.5P-10DS(55)	32.5	27.8	22.5
CL218-0046-6-55	15	HNC2-2.5P-15DS(55)	45.0	40.4	35.0

1	BRASS	SURFACE:TIN PLATED 1μm min UNDER PLATING:NICKEL PLATED 0.5μm min	2	POLYAMIDE	BLACK, UL94-V2
NO.	MATERIAL	FINISH, REMARKS	NO.	MATERIAL	FINISH, REMARKS
CODE NO. (OLD)					
DRAWN			DESIGNED		
F.Matsuki			H. Tamahara		
'05.10.05			'05.10.05		
PART NO.			APPROVED		
EDC3-162408-03			J. Ona		
DRAWING NO.			RELEASED		
HNC2-2.5P-*DS(55)					
SCALE	UNITS				
5 : 1	mm				
HIROSE ELECTRIC CO., LTD			CL218		

TO