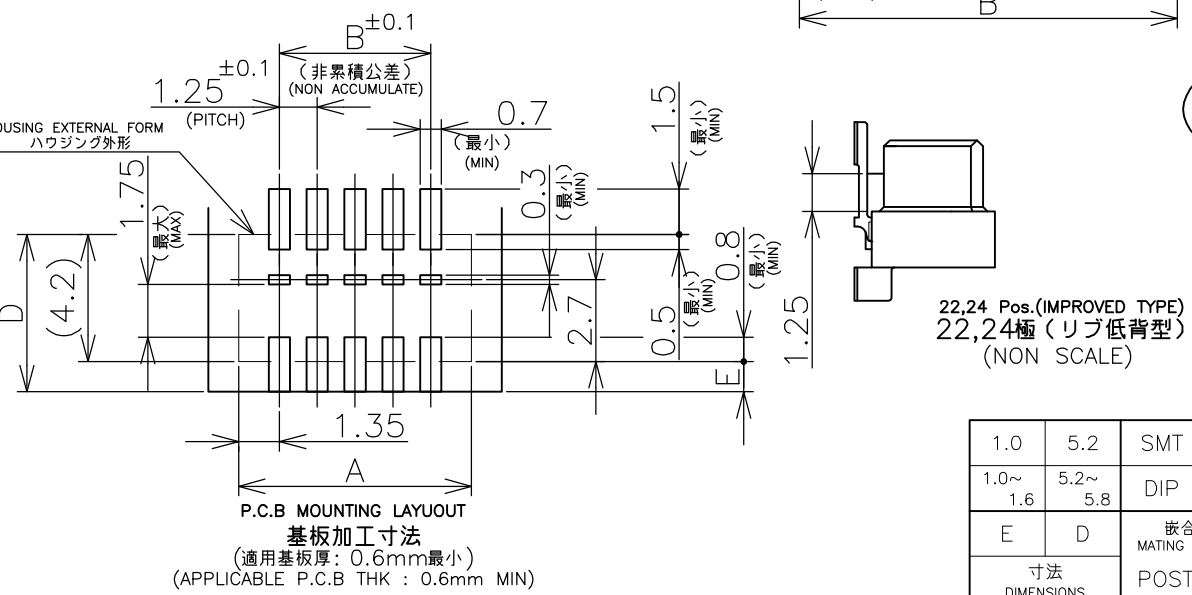
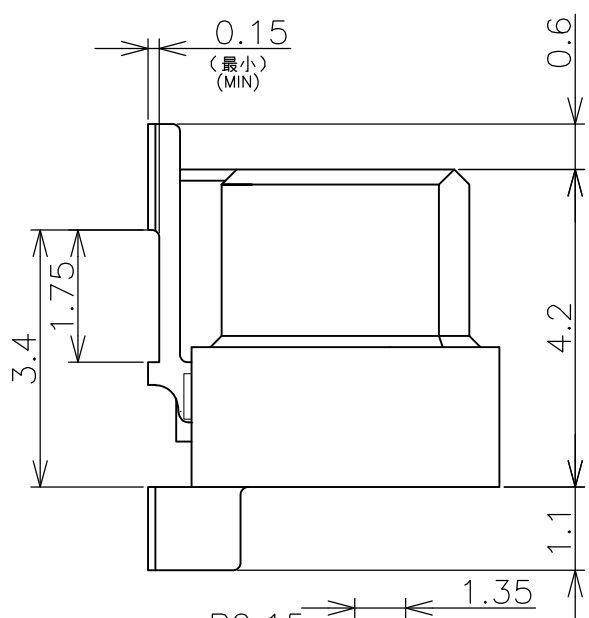
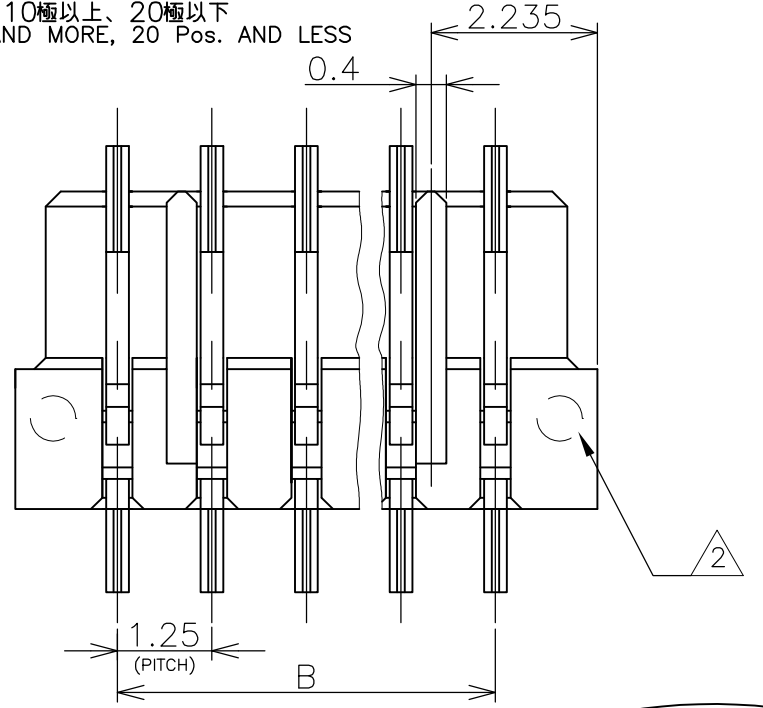
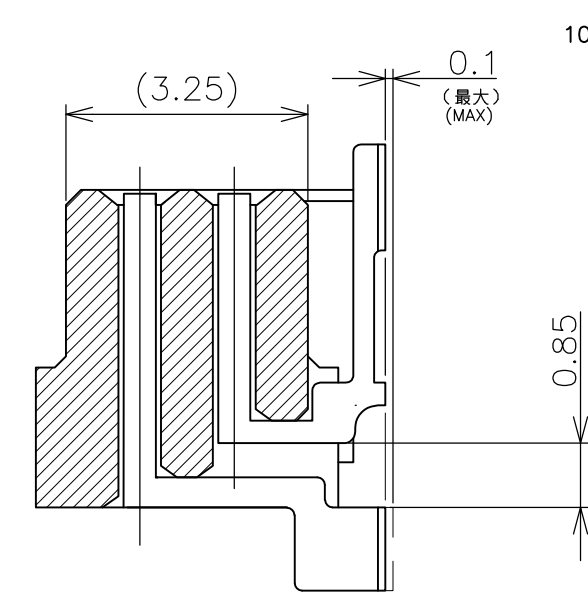
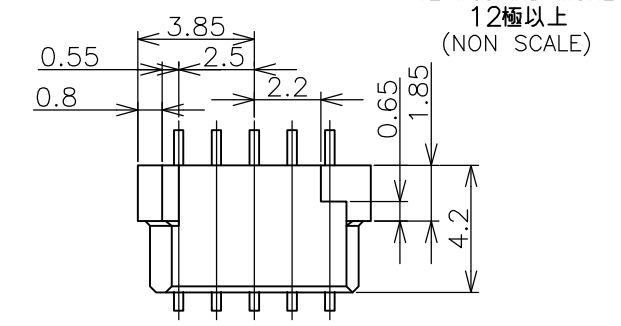
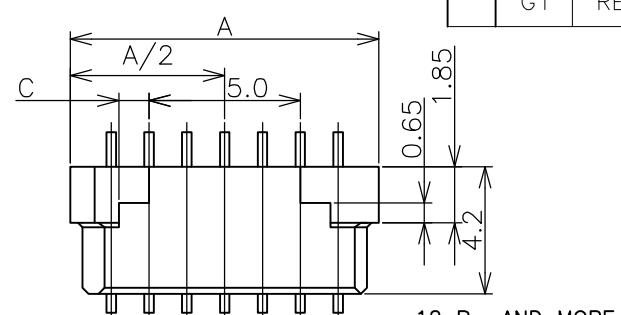
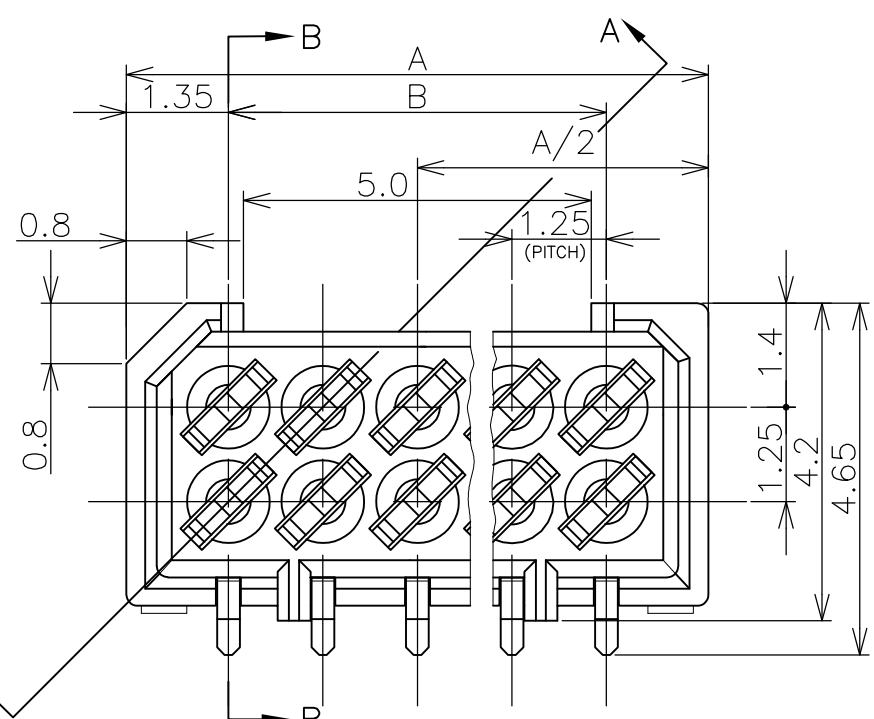
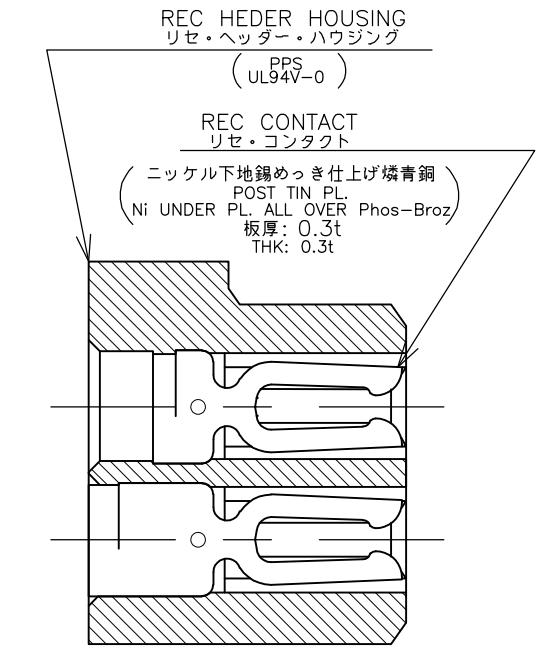
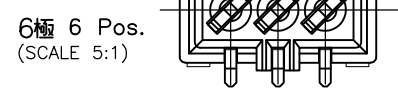


THIS DRAWING IS UNPUBLISHED. RELEASED FOR PUBLICATION
 © COPYRIGHT By - ALL RIGHTS RESERVED.

LOC		DIST		REVISIONS		
J				変更		
P	LTR	DESCRIPTION		DATE	DWN	APVD
	G1	REVISED	ECR-15-002174	13FEB2015	I.T	W.H



鉛フリー LEAD FREE

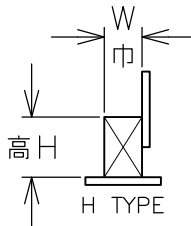


嵌合時寸法: 巾(mm)x高さ(mm)
DIMENSIONS AFTER MATING: WIDE(mm) x HEIGHT(mm)

MATING COUNTER CONN 嵌合相手側コネクタ POST HDR ASSY		高さ H	REC HDR ASSY SMT H TYPE WITHOUT BOSS X-174905-X
製品型番	P/N		
X-174643-X		3.95	4.65 (巾W) x 6.9 (高さH)
X-176895-X			
X-174643-X		5.95	4.65 (巾W) x 8.9 (高さH)
X-176320-X		8.85	4.65 (巾W) x 11.9 (高さH)
X-176871-X		9.85	4.65 (巾W) x 12.9 (高さH)
ボス無 WITHOUT BOSS X-174645-X	X-176769-X	3.95	5.6 (巾W) x 6.9 (高さH)
ボス付 WITH BOSS X-174821-X	X-176140-X	5.45	5.6 (巾W) x 8.4 (高さH)
ボス無 WITHOUT BOSS X-174645-X	X-174821-X	5.95	5.6 (巾W) x 8.9 (高さH)
ボス付 WITH BOSS X-178041-X	X-176757-X	6.85	5.6 (巾W) x 9.9 (高さH)
ボス無 WITHOUT BOSS X-176769-X	X-176140-X	8.85	7.0 (巾W) x 11.9 (高さH)
ボス付 WITH BOSS X-178040-X	X-178041-X	9.35	7.0 (巾W) x 12.4 (高さH)
ボス付 WITH BOSS X-176756-X	X-176757-X		

TABLE 1 SMT TYPEは、巾及び高さ寸法に半田付ライン部を含みます。SMT TYPE INCLUDE DIMENSIONS OF SOLDER DIP TINE.

- 嵌合相手製品型番及び、嵌合時寸法は MATING COUNTER PART NUMBER AND DIMENSIONS 表-1 参照のこと。 AFTER MATING: SEE TABLE 1.
- 基板位置決め用ボス切断跡。 CUT MARK OF MOUNTING BOSS.



		13.75	16.45	24	5-	-4
		12.50	15.20	22	5-	-2
		11.25	13.95	20	5-	-0
	2.0	10.00	12.70	18	4-	-8
	1.5	8.75	11.45	16	4-	-6
	1.0	7.50	10.20	14	4-	-4
	0.8	6.25	8.95	12	4-	-2
	H	5.00	7.70	10	4-	-0
黒色 BLACK	H	2.50	5.20	6	3-174905-6	
色別 COLOR	C	B	A	極数 Pos.	型番 P/N	

THIS DRAWING IS A CONTROLLED DOCUMENT.

DWN J.TANIGAWA 31MAY88	CHK S.KIKUCHI 31MAY88	APVD N.ONOUE 31MAY88	NAME 名称
DIMENSIONS: 単位: 耗 mm			PRODUCT SPEC 製品規格
TOLERANCES UNLESS OTHERWISE SPECIFIED: 一般公差			APPLICATION SPEC 取付適用規格
0-PLC ±	1-PLC ±	2-PLC ±	WEIGHT
3-PLC ±	4-PLC ±	ANGLES ±	
MATERIAL 材料 AS SHOWN 図中参照		FINISH 仕上 AS SHOWN 図中参照	



1.25 F-P CONNECTOR (B-TO-B)
DOUBLE ROW REC HDR ASSY (H)
SMT TYPE WITHOUT BOSS

SIZE A3	CAGE CODE 00779	DRAWING NO G-174905	RESTRICTED TO
CUSTOMER DRAWING		SCALE 10:1	SHEET 1 OF 1
		REV G1	

Mouser Electronics

Authorized Distributor

Click to View Pricing, Inventory, Delivery & Lifecycle Information:

[TE Connectivity:](#)

[4-174905-0](#)