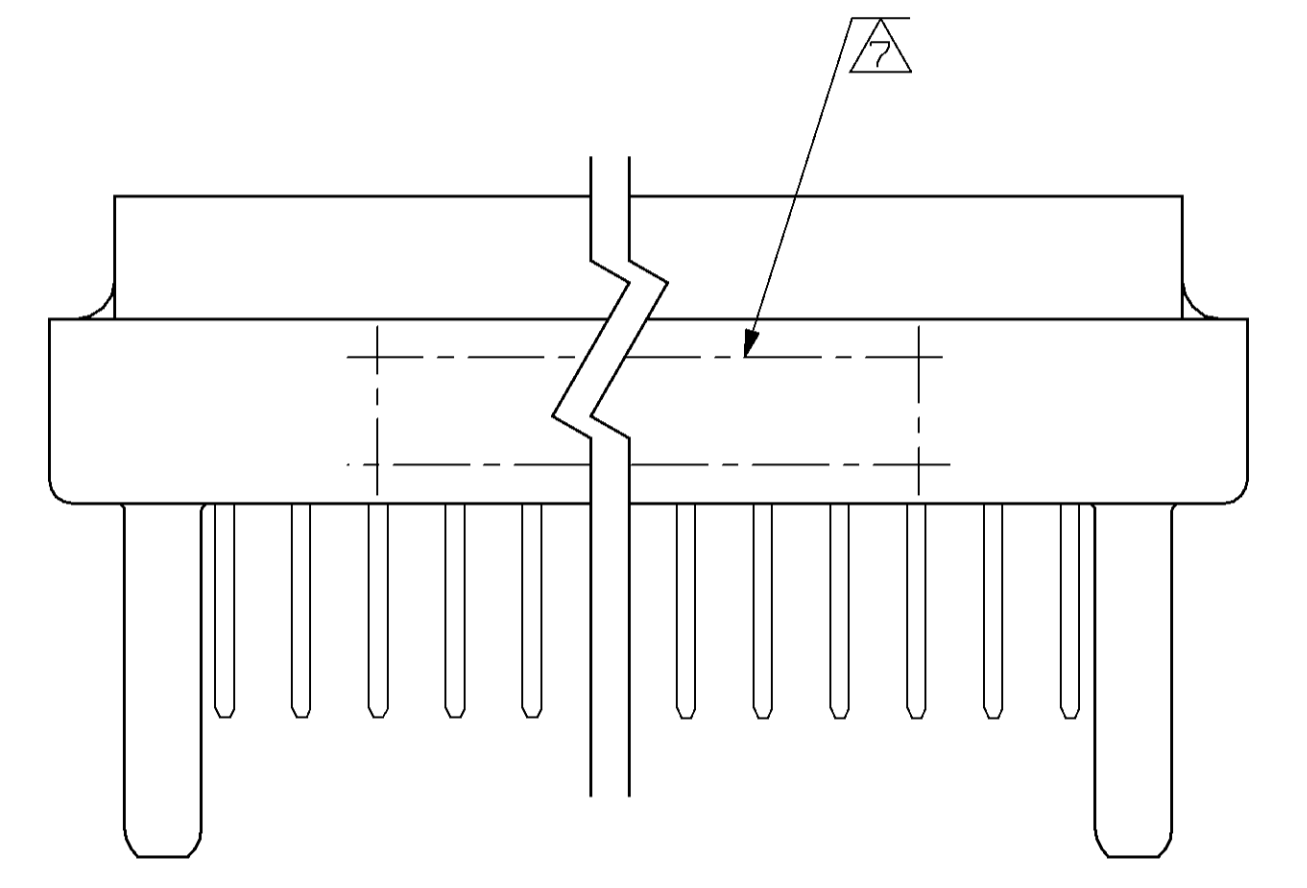
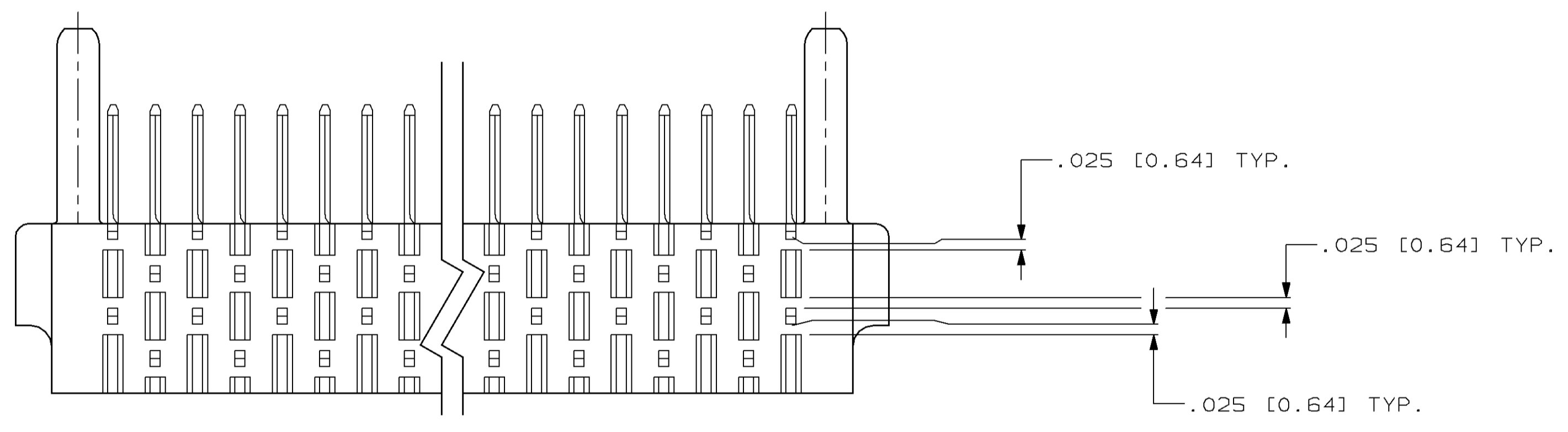
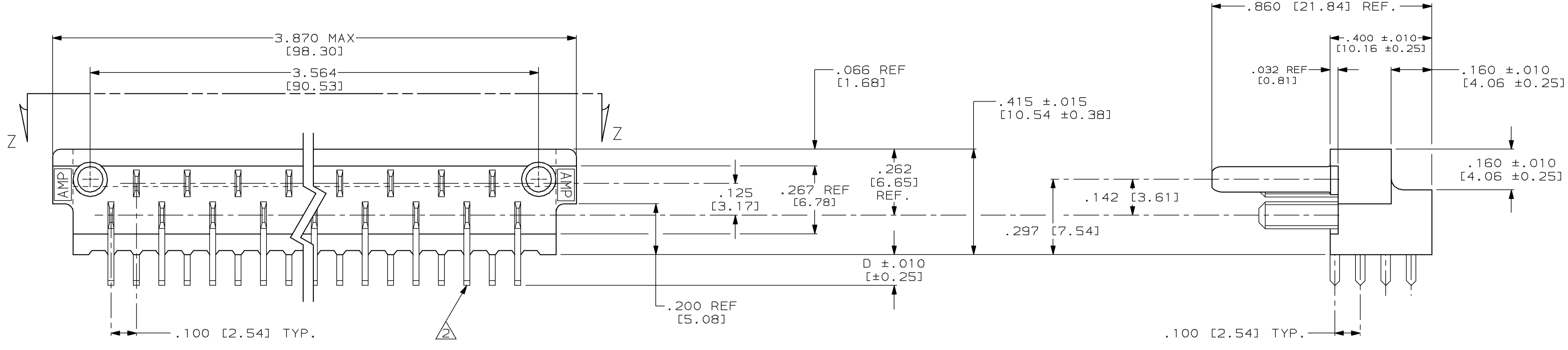
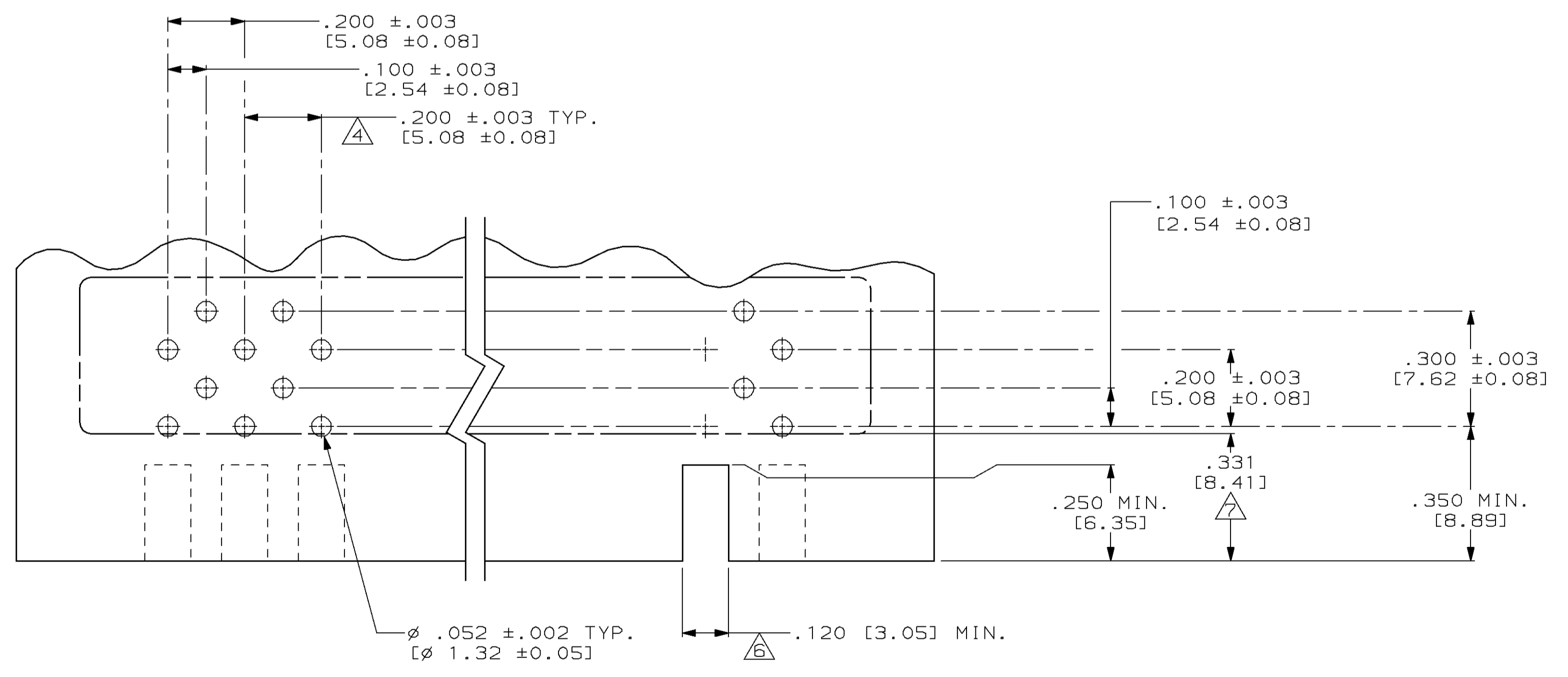


LOC	DIST	P	F	ZONE	LTR	REVISIONS			
						DESCRIPTION	DATE	APPD	
					A	REDRAWN PER DF-6290	TA	10-12-92	JW
					B	REV PER 0600-1174-93	TA	12-6-93	JW
					C	REV PER 0600-4864-95	CT	1-96	JW
					D	REV PER 0600-5129-96	TA	4-15-96	DW



VIEW Z-Z



RECOMMENDED P.C. BOARD LAYOUT

- △ CONTACT FINISH: .000015 THK. GOLD IN THE CONTACT AREA. GOLD FLASH ON THE REMAINDER, ALL OVER .000050 THK. NICKEL.
- △ POST TO BE SOLDER DIPPED. CONN. MUST MEET REQUIREMENTS OF AMP SPEC 109-11-1.
- △ CONTACT MATERIAL: GILDING METAL.
- △ TOLERANCE NON CUMULATIVE.
- △ TAB-HOUSING MATERIAL: FLAME RETARDANT THERMOSET DIALLYL PHTHALATE. COLOR: GREEN
- △ CUT OUT FOR KEYING BOSS, LOCATED WHERE REQD. (OPTIONAL)
- △ AMP P/N & DATE CODE, MARKED WITH .062 ±.015 HIGH CHARACTERS, THIS APPROXIMATE AREA.

DO NOT SCALE PRINT. UNLESS SPECIFIED DIMENSIONS IN INCHES [mm] TOLERANCES ON:				PART NO	
2 PLC DEC ±	-	DR	T. ALEXANDER	10-9-92	AMP Incorporated Harrisburg, PA 17105-3608
3 PLC DEC ±.005 [0.13]		CHK	J. WARNER	10-12-92	
ANGLES ±	-	APPD	J. WARNER	10-12-92	NAME
		APPD	T. ALEXANDER	10-12-92	ASSEMBLY, AMP BLADE, TAB HOUSING
FINISH	-	APPLICATION SPEC	-	PRODUCT SPEC	-
SIZE	D	CAGE CODE	00779	DRAWING NO	448274
SCALE	4:1	WEIGHT	-	SHEET	1 OF 1

Mouser Electronics

Authorized Distributor

Click to View Pricing, Inventory, Delivery & Lifecycle Information:

[TE Connectivity:](#)

[448274-1](#)