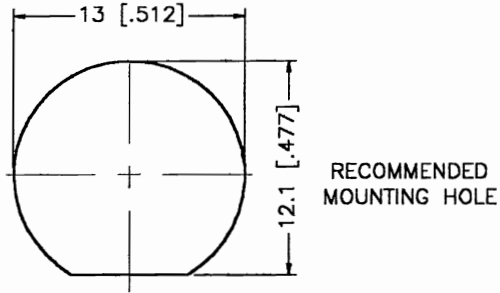
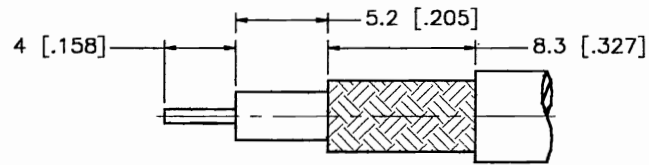
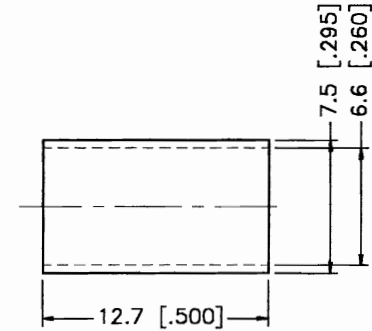
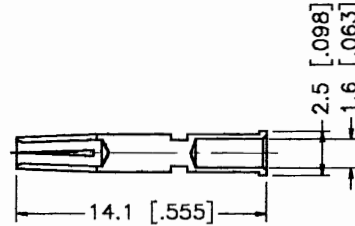
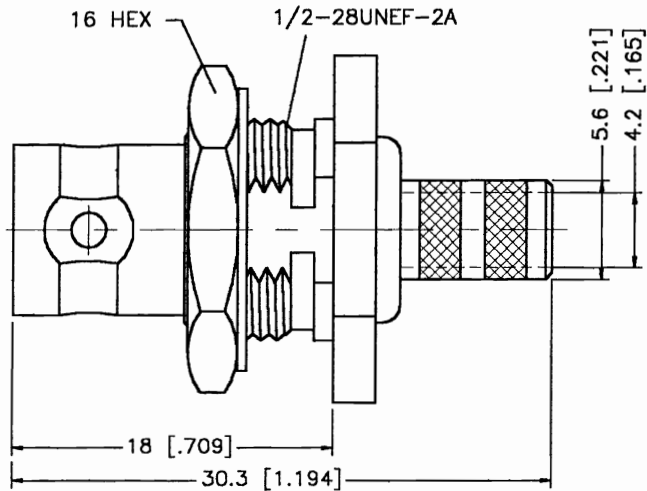



REV.	DATE	DESCRIPTION
NC	08/18/98	INITIAL RELEASE



RECOMMENDED MOUNTING HOLE



RECOMMENDED CABLE STRIPPING DIM'S

DESCRIPTION	MATERIAL	FINISH	UNLESS OTHERWISE SPECIFIED DIMENSIONS ARE IN MILLIMETERS	APPROVALS	DATE					
1	BODY	BRASS	NICKEL	DRAWN	G.R.S.					08/18/98
2	INSULATOR	TEFLON	NATURAL	CHECKED			SIZE A FSCM NO. 99001 DWG. NO. 112602.DWG REV. NC SCALE NA PART NO. 112602 SHEET 1 OF 1			
3	CONTACT PIN	PHOS. BRONZE	GOLD	ISSUED						
4	FERRULE	COPPER	NICKEL				DO NOT SCALE DRAWING			
5										
6										
7										
8										

Mouser Electronics

Authorized Distributor

Click to View Pricing, Inventory, Delivery & Lifecycle Information:

[Amphenol:](#)

[112602](#)