

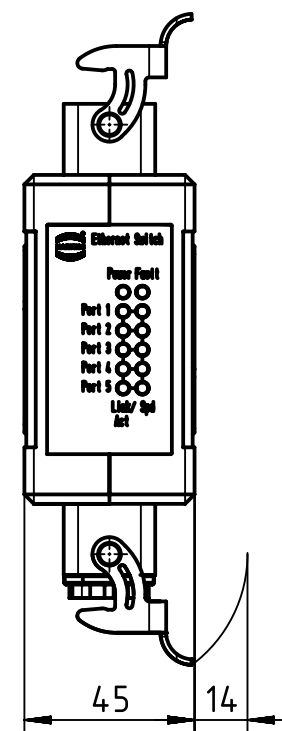
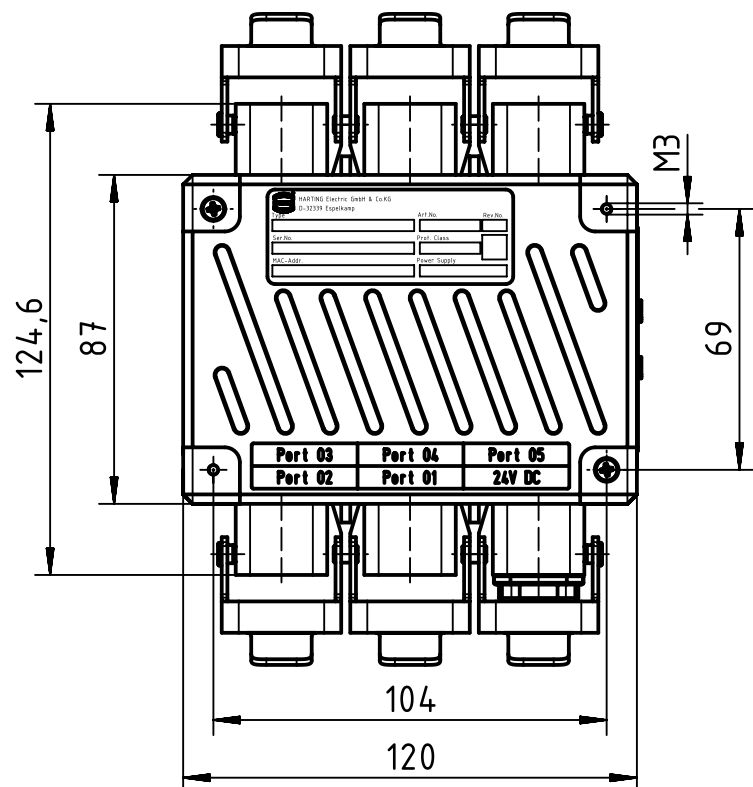
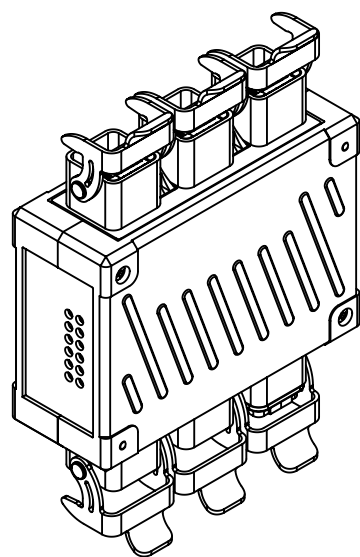
1 2 3 4 5 6

A

B

C

D



	All Dimensions in mm Original Size DIN A4		Scale 1:2	Free size tol.		Ref. Sub. TB 20 70 305 3923 v. 08.12.08			
		All rights reserved Department EL PD - DE		Created by ILJIN	Inspected by LOETKEMANN	Standardisation TIEMANNA	Date 2013-07-30	State Final Release	
HARTING Electric GmbH & Co. KG D-32339 Espelkamp				Title Ha-VIS eCon 7050-A1			Doc-Key / ECM-Nr. 100171505/UGD/004/A 500000064671		
				Type TB	Number 20 70 305 3923			Rev. A	Page 1/1

# Mouser Electronics

Authorized Distributor

Click to View Pricing, Inventory, Delivery & Lifecycle Information:

[HARTING:](#)

[20703053923](#)