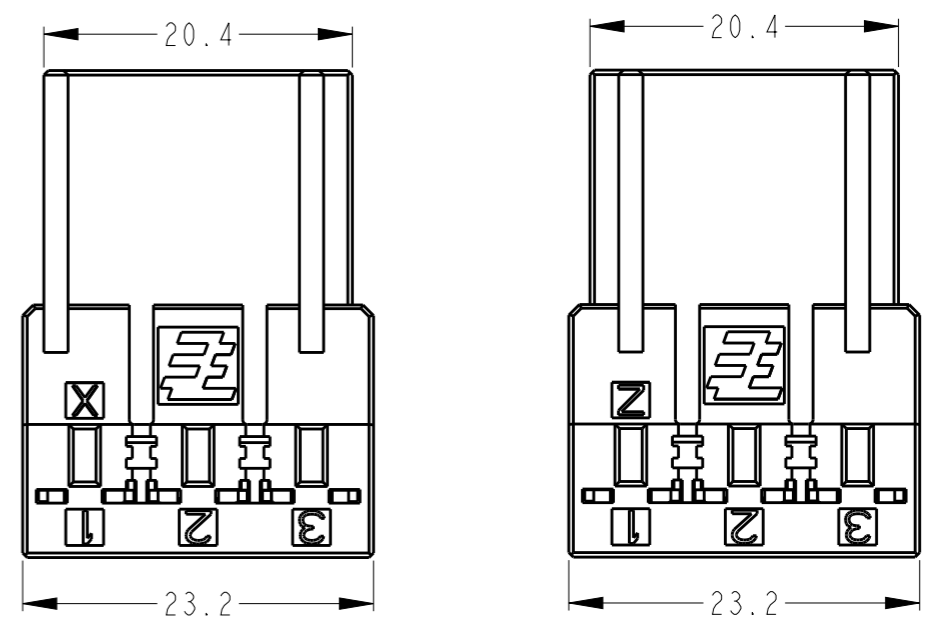
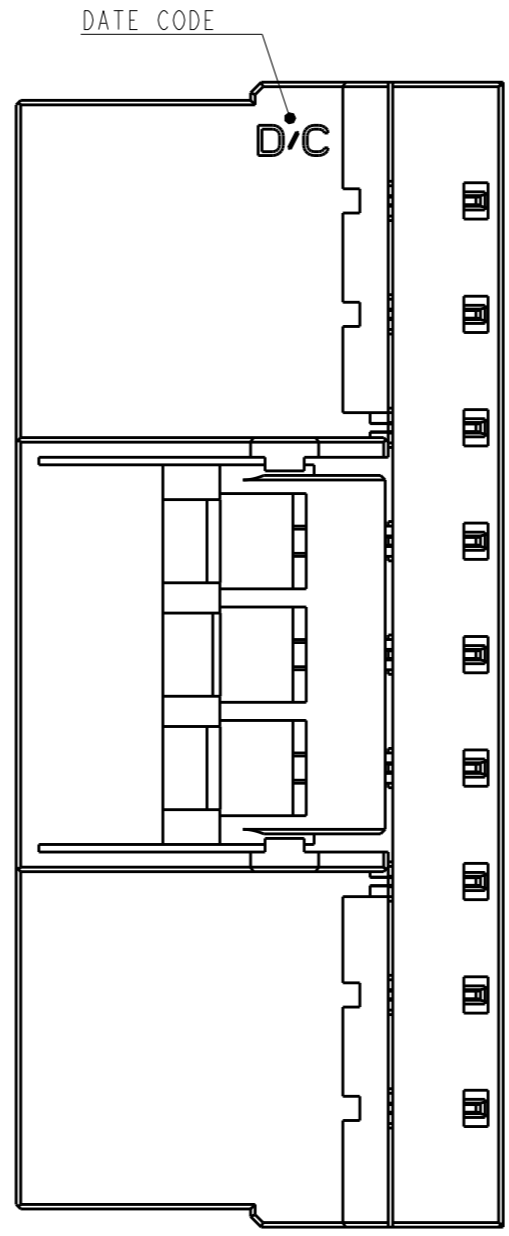
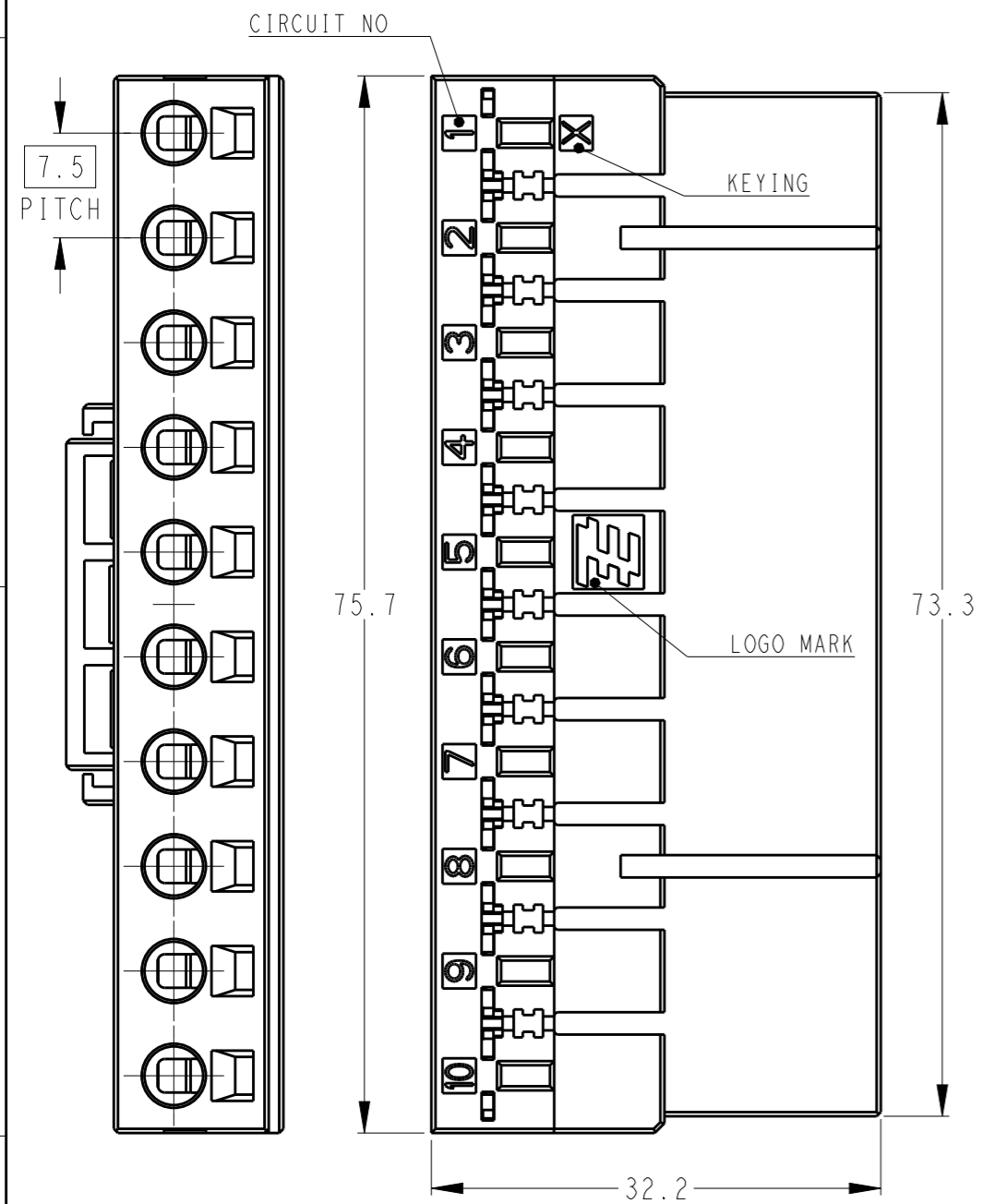
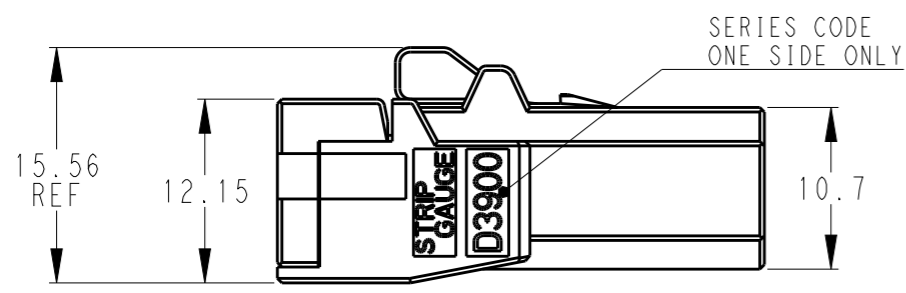


THIS DRAWING IS UNPUBLISHED. RELEASED FOR PUBLICATION 20
 © COPYRIGHT 2011JUN BY Tyco Electronics Japan G.K. ALL RIGHTS RESERVED.

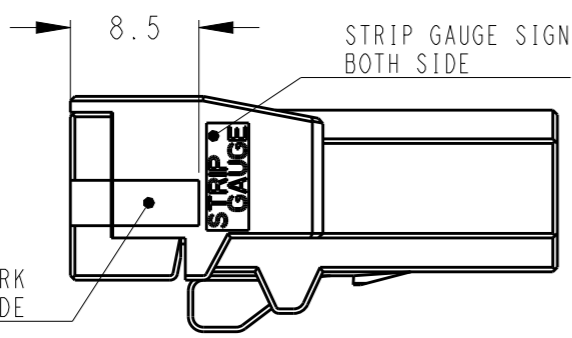
LOC	DIST	REVISIONS				
P	LTR	DESCRIPTION	ECN	DATE	DWN	APVD
J	-					
	A	RELEASED		19APR2010	T.K	T.M
	B	ADDITION PART NO		02JUN2011	M.M	N.Y
	C	REVISED		17JUN2014	H.O	N.Y

1-2134249-0 (10POS, X-KEY)



- 1. MATERIAL:
HOUSING : THERMO PLASTIC POLYESTER (BLACK)
 - 2. MATERIAL:
CONTACT : COPPER ALLOY
FINISH : (ALL OVER)
NICKEL PLATED 0.00127mmMIN (CONTACT AREA)
GOLD PLATED 0.00038mmMIN OVER NICKEL (SPRING AREA)
TIN PLATED 0.002mmMIN OVER NICKEL
 - 3. MATERIAL:
SPRING : STAINLESS STEEL
4. SEE INSTRUCTION SHEET 411-78272

3	Z	3-2134249-3
10	X	1-2134249-0
3	X	1-2134249-3
POS	KEY	PART NO



THIS DRAWING IS A CONTROLLED DOCUMENT.		DWN T. KUDO 19APR2010		TE Connectivity	
DIMENSIONS: mm		CHK N. YAMASAKI 19APR2010			
TOLERANCES UNLESS OTHERWISE SPECIFIED: ±0.3, ±5°		APVD N. YAMASAKI 19APR2010		NAME DYNAMIC D3900S 7.5mmPITCH REC ASSY (SPRING CLAMP TYPE) 3, 10POS TYPE-A	
0 PLC ± 1 PLC ± 2 PLC ± 3 PLC ± 4 PLC ± ANGLES ± FINISH		PRODUCT SPEC 108-78400		SIZE A3	
MATERIAL 1 2 3		APPLICATION SPEC -		CAGE CODE 00779	
		WEIGHT -		DRAWING NO C-2134249	
		CUSTOMER DRAWING		RESTRICTED TO -	
				SCALE 2:1	
				SHEET 1 OF 1	
				REV C	

Mouser Electronics

Authorized Distributor

Click to View Pricing, Inventory, Delivery & Lifecycle Information:

[TE Connectivity:](#)

[1-2134249-0](#)