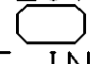
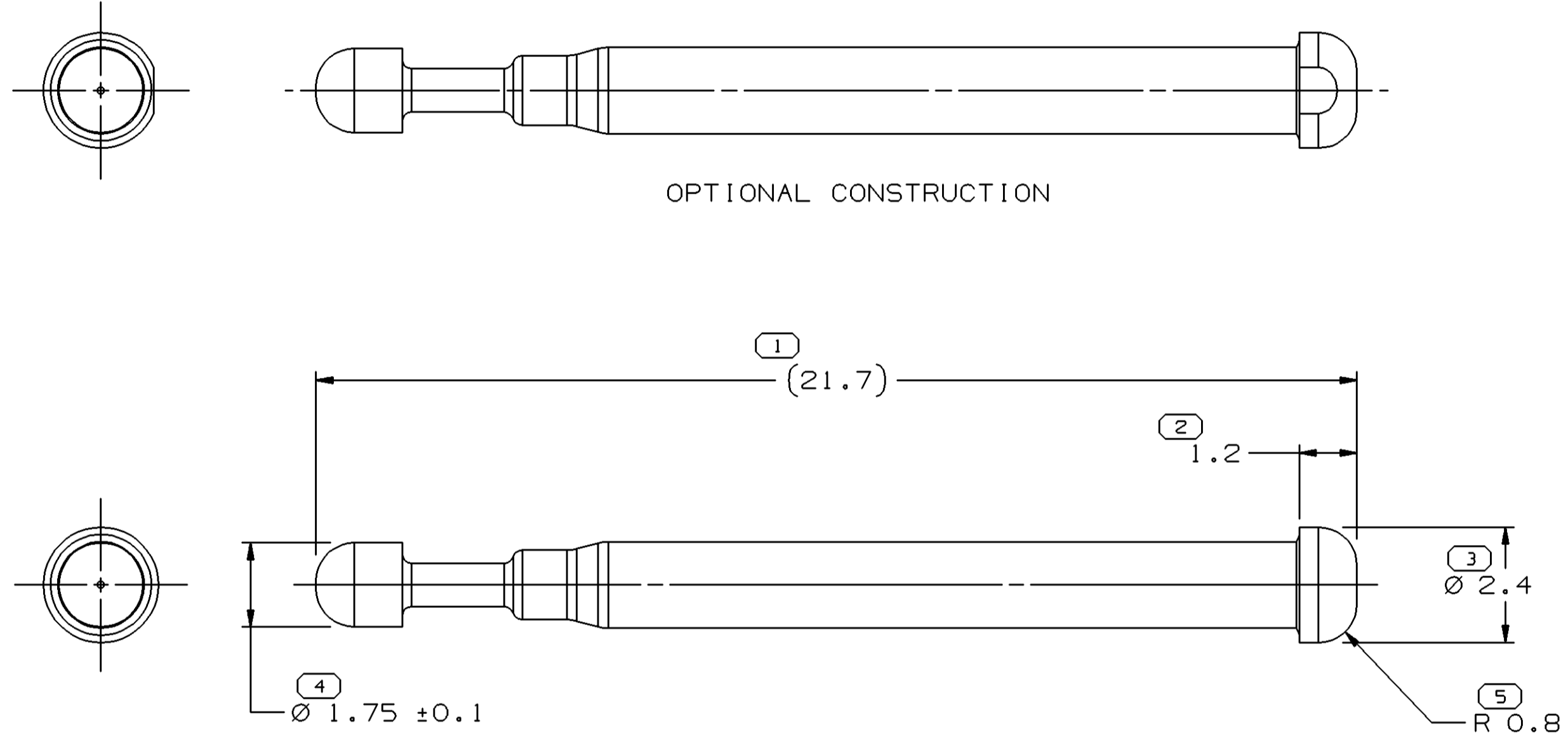


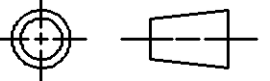

SYMBOL DEFINITION		MISSING NUMBERS	
A DIMENSION WITHOUT AN INSPECTION REPORT SYMBOL  DOES NOT REQUIRE INSPECTION. IT MAY BE CONTROLLED ON AN INDIVIDUAL COMPONENT DRAWING.	TOTAL NO. OF SYMBOLS ON DRAWING	5	
	LAST NO. USED	5	

DWG STATUS					ZONE	REVISION HISTORY	AUTH	DR	APVD 1	APVD 2
DATE	STG	REV	N/P	CHG						
05N099	R	001	-	-		WAS PE076388 AND RELEASED	990005	JCO	FKV	KG
10SE02	R	01	AA	-		MAT'L SPEC WAS R0071790 AND 15356822 WAS 15356826 IN NOTE #2	226978	TLD	TLD	KG
05DE02	R	01	AB	-		DRAWING NAME WAS SEAL MIC/P 100W BLU	234330	TLD	TLD	KG
16JL04	R	01	AC	-		ADDED OPTIONAL CONSTRUCTION	256492	LLJ	LLJ	KG
27N004	R	01	AD	-		REVISED DIMS 6 & 7 TO REFERENCE	261740	RH	RH	KRG



NOTES

- UNLESS OTHERWISE SPECIFIED AND/OR INDICATED: DIMENSIONS ARE TO FACE OF VIEW SHOWN AND AUTOMATICALLY ROUNDED BY COMPUTER FOR INSPECTION. (SEE MATH MODEL FOR PRECISE DIMENSIONS.) FOR ALL OTHER DIMENSIONS NOT SHOWN BUT REQUIRED FOR TOOL BUILD, SEE MATH MODEL FOR PRECISE TOOL PATH DATA.
- THIS PART MATES TO ASSEMBLY 15356822 OR EQUIVALENT.

DWG TYPE PART DRAWING	
STYLE	
VOLUME (CM ³) 0.050	DISTR CODE D
UNLESS OTHERWISE SPECIFIED THIS DOCUMENT IS IN ACCORDANCE WITH ASME Y14.5M-1994 AS AMENDED BY THE GM GLOBAL DIMENSIONING AND TOLERANCING ADDENDUM - 1997. ALL GEOMETRIC TOLERANCES AND RELATED DATUMS APPLY RFS. RULE #1 (PERFECT FORM AT MMC) DOES NOT APPLY WHEN RELATIONSHIP BETWEEN FEATURES IS ESTABLISHED BY ORIENTATION OR LOCATION TOLERANCES. SEPARATE POSITION CALLOUTS MAY BE GAGED SEPARATELY, REGARDLESS OF DATUM REFERENCE. ALL DIMENSIONS ARE IN MILLIMETERS	
REFERENCE	
THIRD ANGLE PROJECTION	DO NOT SCALE USE MATH DATA
 	

N/A PROCESS SENSITIVE DIMENSION				
DIMENSIONS ENCLOSED IN () INDICATE REFERENCE DIMENSIONS AND NO TOLERANCE LIMITS ARE ESTABLISHED				
DIMENSIONAL RANGE (MM)	CHART E			
FROM	> 0	> 20	> 30	> 70
TO	20	30	70	100
TOLERANCE UNLESS OTHERWISE SPECIFIED				
	±0.15	±0.2	±0.3	±0.4
ANGULAR TOLERANCE ±2°				

DELPHI										
DELPHI PACKARD ELECTRIC SYSTEMS WARREN, OH										
									DATE	
DR										
APVD1 J. C. ORTIZ									05N099	
APVD2 FRANCISCO KOPCA									16N099	
APVD3 K. GRZENA									23N099	
APVD4										
APVD5										
SUBSTANCES OF CONCERN AND RECYCLED CONTENT PER DELPHI 10949001										
MATERIAL M3592008 PA66 HS IM-BLU										
DRAWING NAME SEAL HOLE CBL PLUG BLU										
DRAWING NUMBER 15356825										
SIZE A2	SCALE 10:1	FRAME NO 1 OF 1	SHEET NO 1 OF 1	STG R	REV 01	N/P AD				

Mouser Electronics

Authorized Distributor

Click to View Pricing, Inventory, Delivery & Lifecycle Information:

[Aptiv:](#)

[15356825](#)