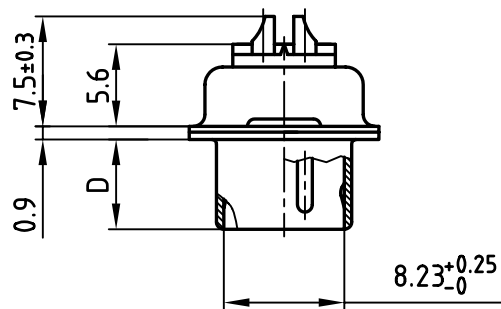
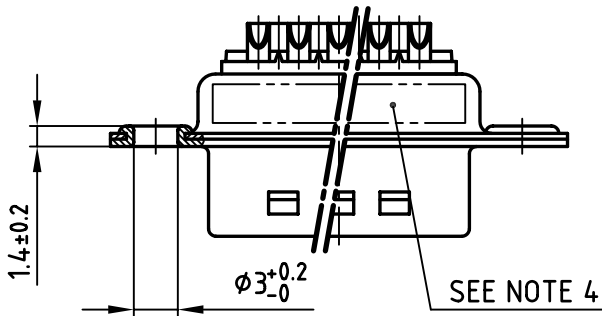
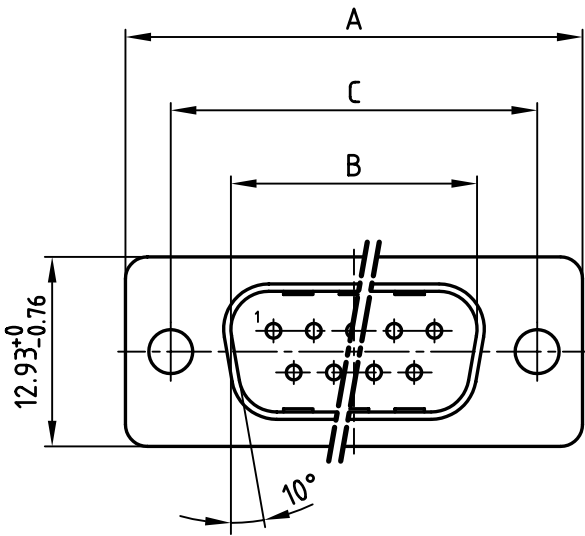


used for: D-SUB

POS.	A-0.76	B+0.25	C	D-0.3	Part-NO.
9	31.19	16.79	25.00 $^{+0.12}_{-0.13}$	6.12	163A17379X
15	39.52	25.12	33.30 $^{+0.15}_{-0.1}$	6.12	163A17389X
25	53.42	38.84	47.04 ± 0.13	5.99	163A17399X
37	69.70	55.30	63.50 ± 0.13	5.99	163A17409X



Directive 2002/95/EC
"RoHS"
Compliant

NOTES:

1. METALSHELLS: STEEL; min. 315µin TIN over 40-80µin NICKEL
2. INSULATORS: PBT GF UL 94 V-0, BLACK
3. CONTACTS: COPPER ALLOY
PLATING: 8µin HARD GOLD OVER min. 50µin NICKEL
SOLDER CUP ACCEPTS CABLE AWG 20
4. CONNECTOR IS PART MARKED: PART-NO. CONEC ABC

APPROVAL # FREIGABE # DEBLOCAGE # AUTORIZACION # APPROVAL	
CUSTOMER APPROVAL DATE:	
NAME:	TITLE:
COMPANY NAME:	
APPROVAL # FREIGABE # DEBLOCAGE # AUTORIZACION # APPROVAL	

THIS DRAWING MAY NOT BE COPIED OR REPRODUCED IN ANY WAY, AND MAY NOT BE PASSED ON TO A THIRD PARTY WITHOUT WRITTEN PERMISSION.
 OWNERSHIP AND COPYRIGHT OF CONEC GmbH
 DO NOT ALTER CAD DRAWING BY HAND

tolerance		dim. in mm	scale: 2:1
			material: SEE NOTES
2007 date name		title: D-SUB MALE 9-37pos. SOLDER CUP with stamped contacts	
drawn	04.01. Lehmenkühler		
appd.	04.01. Mickenbecker		
norm	DIN 41652		
d-old		dwg no: AutoCAD 2004 DIN-A	
a	Origin	16K1A1955	
rev.	description date name	part no: SEE TABLE	



DIN-A
4
sh: 1/1

Mouser Electronics

Authorized Distributor

Click to View Pricing, Inventory, Delivery & Lifecycle Information:

[CONEC:](#)

[163A17379X](#)