

THIS DRAWING IS UNPUBLISHED. RELEASED FOR PUBLICATION
 © COPYRIGHT - By - ALL RIGHTS RESERVED.

LOC	DIST	REVISIONS					
G	14	P	LTR	DESCRIPTION	DATE	DWN	APVD
		P		REVISED PER ECO-14-015277	10FEB2015	NK	DR

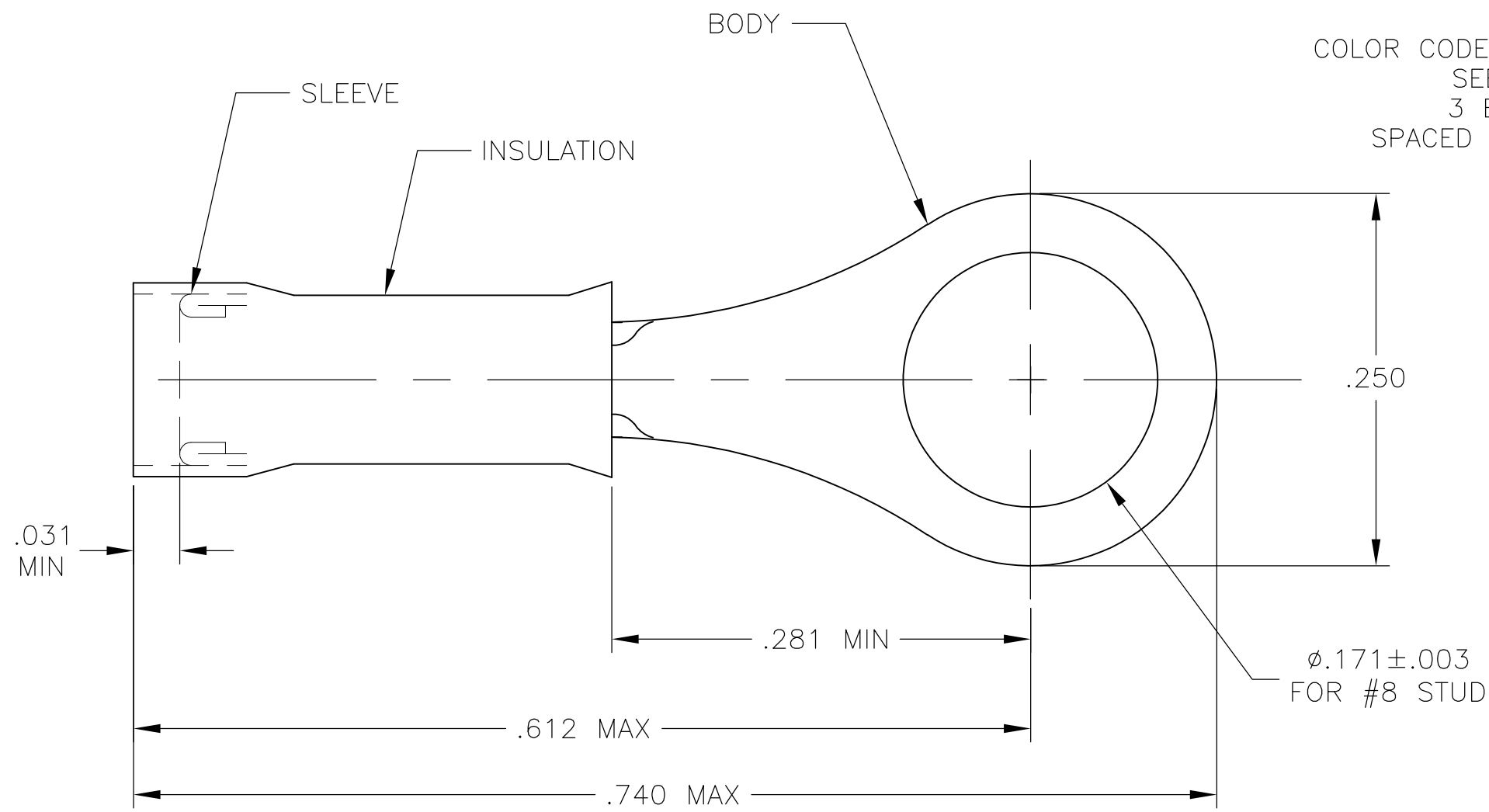


FIGURE 1
 FOR .050 TO .082 WIRE INSULATION DIA

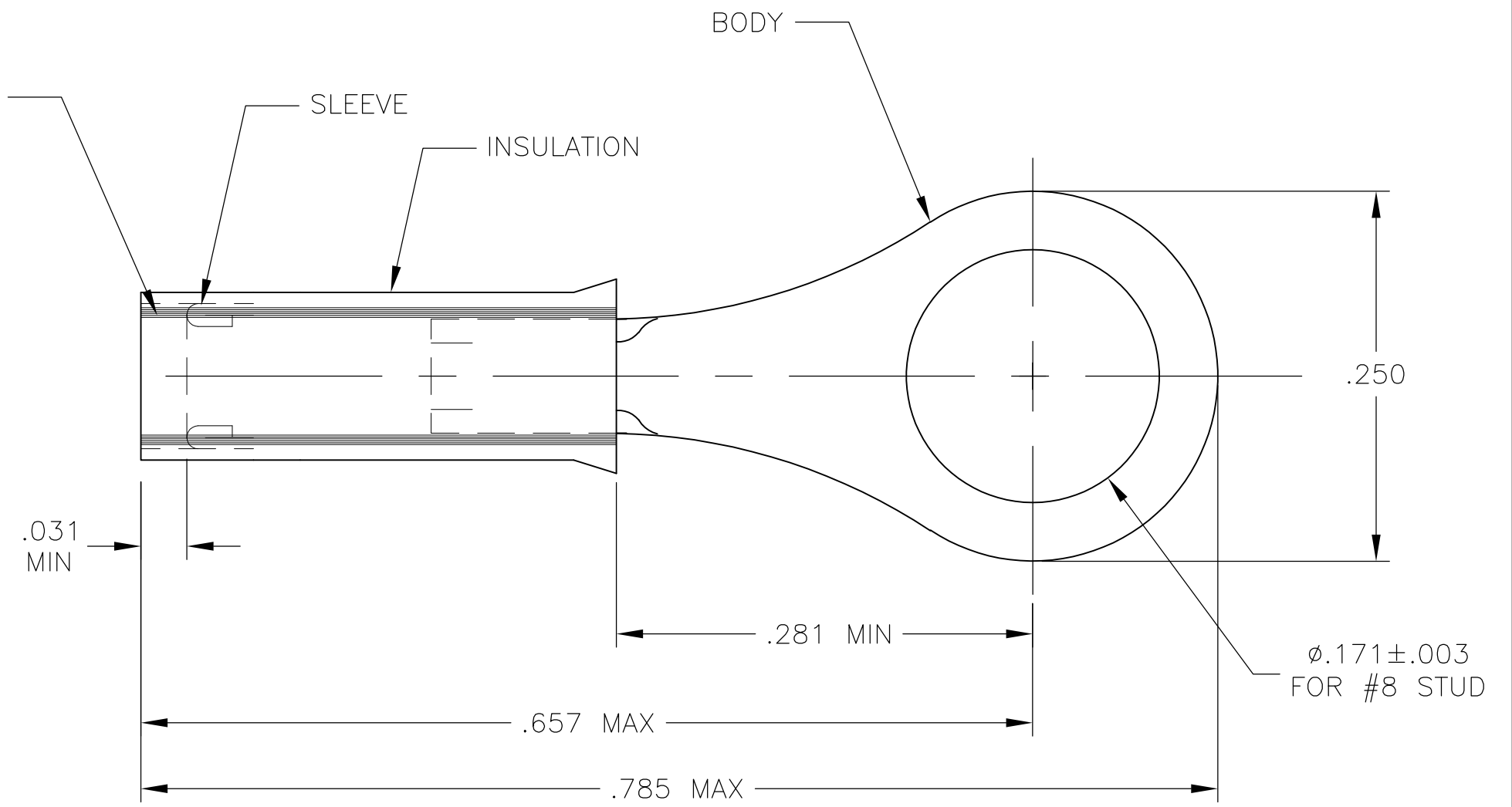


FIGURE 2
 INSULATION RESTRICTING
 FOR X/Y WIRE INSULATION DIA

- 1 TONGUE MATERIAL THK IS .018±.002.
- 2 MEETS MS25036-146, CLASS 2.

1	WIRE TERMINAL INSULATION RESTRICTING	BODY: COPPER (ASTM-B152) TIN PL (ASTM-B545) SLEEVE: COPPER (ASTM-B152) NICKEL PL. (QQ-N-290) INSULATION: NYLON COLOR: YELLOW (ASTM-D4066) TYPE 1	2-323916-3
100	LOOSE PC, BOX		8-323916-1
4000	323916 ON TAPE	BODY & SLEEVE: COPPER (ASTM-B152) TIN PL (ASTM-B545) INSULATION: NYLON COLOR: YELLOW (ASTM-D4066) TYPE 1	2 2-323916-1
1	WIRE TERMINAL		2 323916
QTY	DESCRIPTION	MATERIAL & FINISH	PART NO

8-323916-1	FIGURE 1	#26-#22	NONE	-	-
2-323916-3	FIGURE 2	#24	BLUE	.031/.055	-
323916	2 FIGURE 1	#26-#22	NONE	-	2-323916-1/2
PART NO.	STYLE	WIRE SIZE	STRIPE COLOR	"X/Y"	PART NO. ON TAPE

THIS DRAWING IS A CONTROLLED DOCUMENT.

DWN	JR RUTH	02OCT09
CHK	TOM MICHIELUTTI	02OCT09
APVD	MIKE PERCHERKE	02OCT09
PRODUCT SPEC		
APPLICATION SPEC		
WEIGHT	-	
CUSTOMER DRAWING		

STE TE Connectivity

TERMINAL, NYLON - PIDG - RING TONGUE
 WIRE SIZE: 26-22

SIZE	A2	CAGE CODE	00779	DRAWING NO	323916	RESTRICTED TO	-
SCALE	10:1	SHEET	1 of 1	REV	P		

Mouser Electronics

Authorized Distributor

Click to View Pricing, Inventory, Delivery & Lifecycle Information:

[TE Connectivity:](#)

[323916](#)