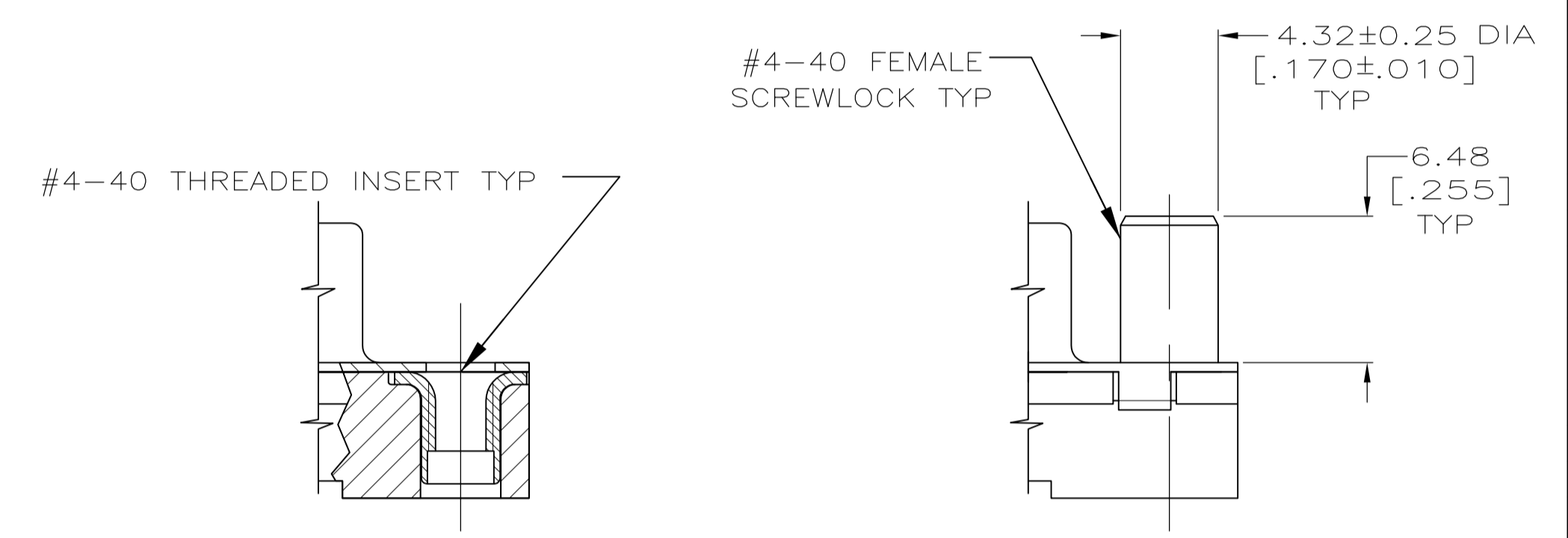
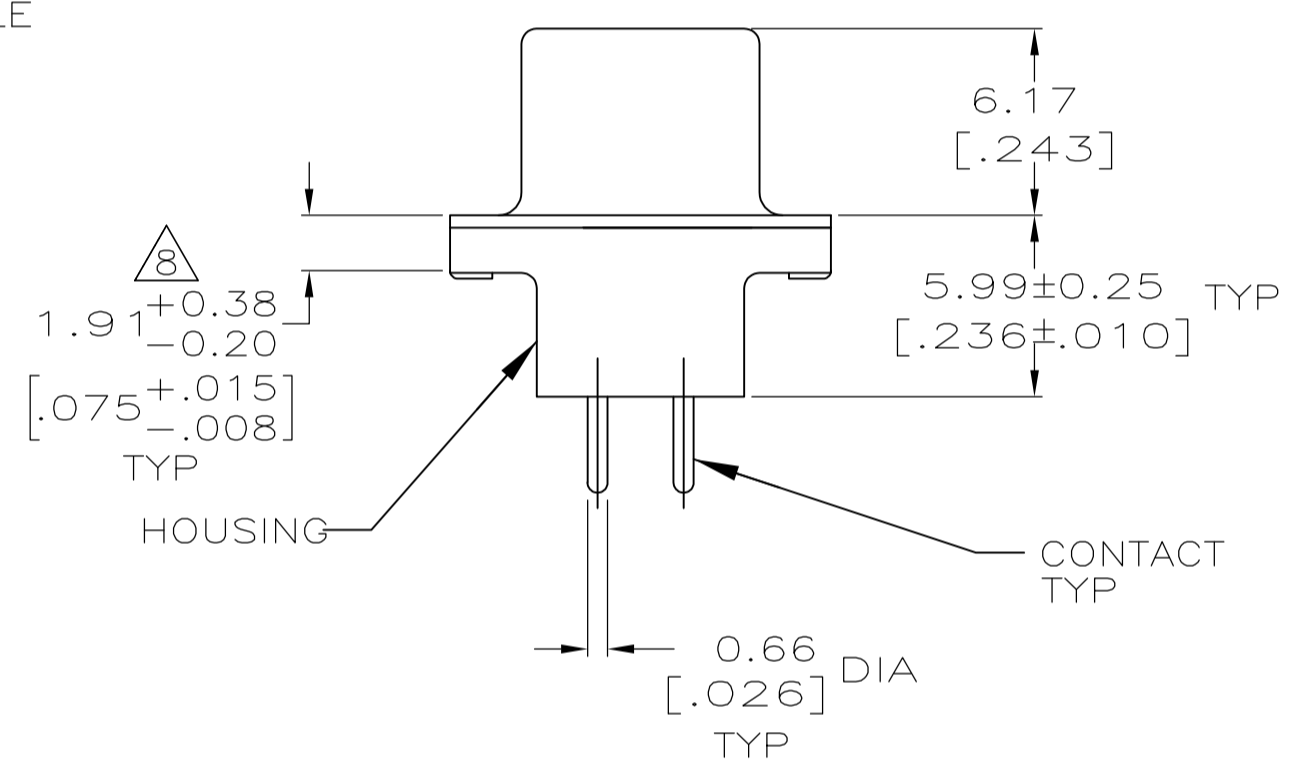
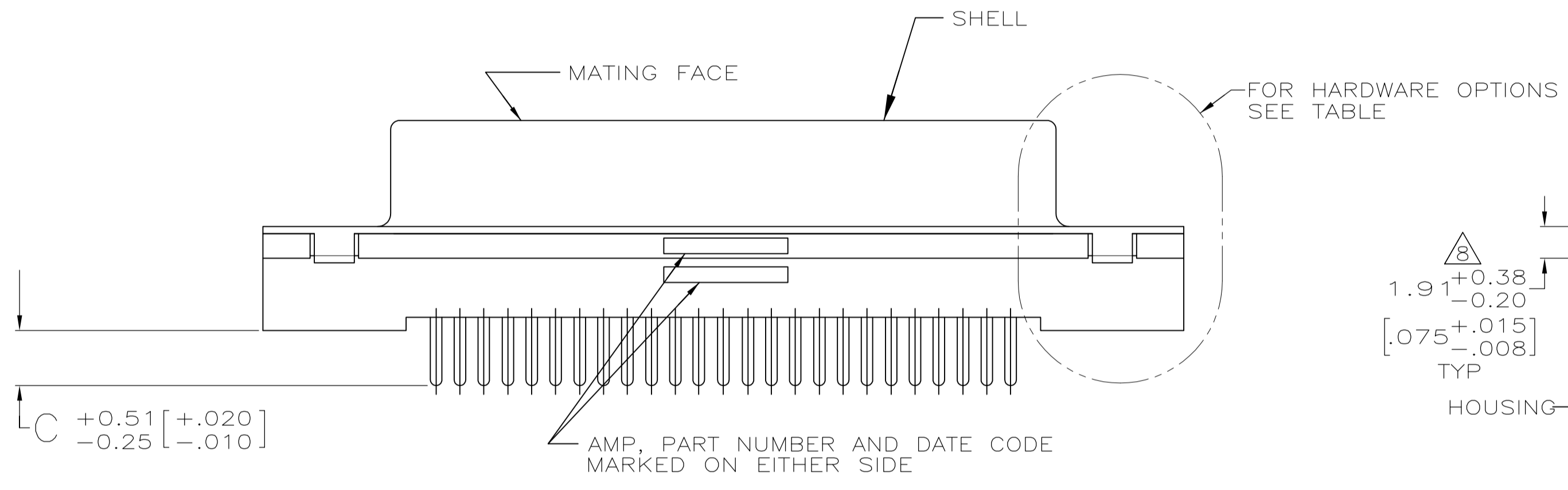
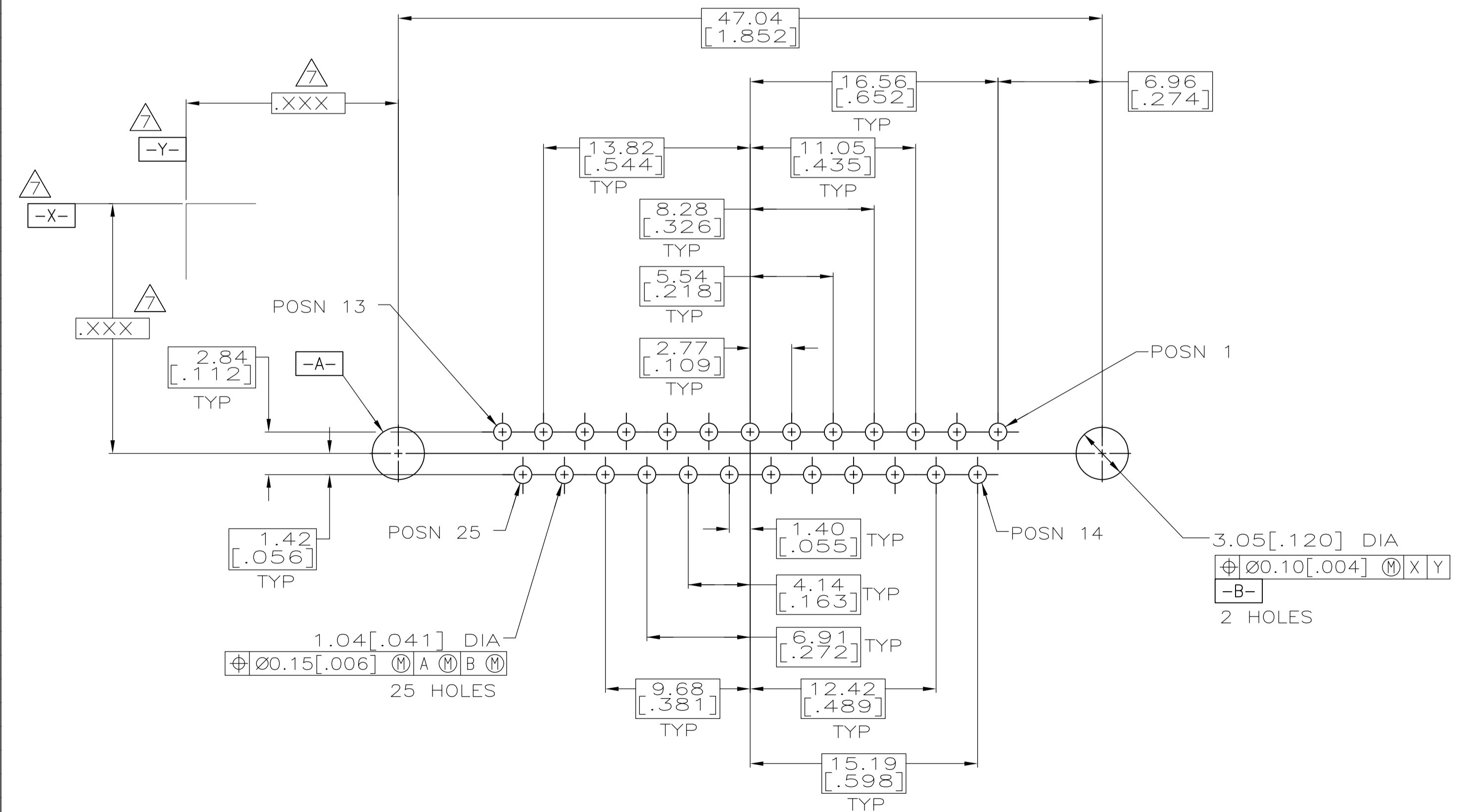


- △ HOUSING; POLYESTER, UL 94V-0 RATED, BLACK.
- △ SHELL; CARBON STEEL.
- △ SHELL; 5.08um [.000200] MIN TIN OVER 2.54um [.000100] MIN COPPER.
- △ GOLD FLASH FOR A LENGTH OF 2.54[.100] MIN FROM MATING END, 2.54um [.000100] MIN TIN OR TIN-LEAD ON OPPOSITE END, BOTH OVER 1.27um [.000050] MIN NICKEL.
- △ 0.76um [.000030] MIN GOLD FOR A LENGTH OF 2.54 [.100] MIN FROM MATING END, 2.54um [.000100] MIN TIN OR TIN-LEAD ON OPPOSITE END, BOTH OVER 1.27um [.000050] MIN NICKEL.
- 6. NOTE DELETED.
- △ DATUMS AND BASIC DIMENSIONS ESTABLISHED BY CUSTOMER.
- △ 2.79[.110] MAX IN SHELL TAB CLINCH AREAS.
- △ OBSOLETE PART NUMBER.
- △ 10 SUPERSEDED BY 745967-2.
- △ 11 SUPERSEDED BY 745967-4.
- △ 12 SUPERSEDED BY 1-745967-4.
- △ 13 SUPERSEDED BY 745967-7.
- △ 14 CONTACTS: POSPHOR BRONZE.
- △ 15 SCREWLOCKS: ZINC.
- △ 16 INSERTS: BRASS.



DETAIL D

DETAIL E



RECOMMENDED PC BOARD MOUNTING DIMENSIONS

W/THREADED INSERTS PER DETAIL D	△5	1.27 [.050]	△9	1-745967-9
W/FEMALE SCREWLOCKS PER DETAIL E	△5	4.32 [.170]	△9	1-745967-6
	△4	4.32 [.170]	△9	1-745967-5
	△5	3.18 [.125]	△9	1-745967-4
W/THREADED INSERTS PER DETAIL D	△4	3.18 [.125]	△12	1-745967-3
	△4	6.35 [.250]	△9	1-745967-1
	△5	4.32 [.170]	△12	1-745967-0
	△4	3.18 [.125]	△12	745967-8
W/O FEMALE SCREWLOCKS OR THREADED INSERTS AS SHOWN	△4	3.18 [.125]	△12	745967-7
	△5	6.35 [.250]	△9	745967-6
	△5	4.32 [.170]	△9	745967-4
	△4	4.32 [.170]	△11	745967-3
	△5	3.18 [.125]	△9	745967-2
	△4	3.18 [.125]	△10	745967-1
	△4	3.18 [.125]	△10	745967-1

HARDWARE OPTIONS		CONTACTS	C	PART NO
		FINISH		
THIS DRAWING IS A CONTROLLED DOCUMENT.		DIN D BROCKWAY 3-22-93		TE Connectivity
DIMENSIONS: mm [INCHES]		CIR R STONE 5-10-93		
TOLERANCES UNLESS OTHERWISE SPECIFIED:		APVD		NAME
0 PLC ± -		PRODUCT SPEC		RECEPTACLE ASSY, SIZE 3, 25 POSITION
1 PLC ± -		APPLICATION SPEC		FRONT METAL SHELL, WITH OR WITHOUT
2 PLC ± .013 [.005]		108-40025		SCREWLOCKS OR INSERTS.
3 PLC ± -		114-40023		SIZE
4 PLC ± -		WEIGHT		CAGE CODE DRAWING NO
ANGLES ± -		A1 00779		RESTRICTED TO
MATERIAL		CUSTOMER DRAWING		SCALE 4:1 SHEET 1 OF 1 REV R1
FINISH		CONTACTS: SEE TABLE		

Mouser Electronics

Authorized Distributor

Click to View Pricing, Inventory, Delivery & Lifecycle Information:

[TE Connectivity:](#)

[1-745967-0](#)