

HART transfer board - MACX MCR-S-MUX-TB - 2308124

Please be informed that the data shown in this PDF Document is generated from our Online Catalog. Please find the complete data in the user's documentation. Our General Terms of Use for Downloads are valid (<http://phoenixcontact.com/download>)



The HART transfer board is used to operate the MACX-MCR-S-MUX HART multiplexer. The signals from the HART-compatible signal converters are applied to the terminal strip of the transfer board where they are then transmitted to the multiplexer via an FLK.



Key Commercial Data

Packing unit	1 pc
Weight per Piece (excluding packing)	220.0 g
Custom tariff number	85437090
Country of origin	Germany

Technical data

Dimensions

Width	80 mm
Height	70 mm
Depth	125 mm

Ambient conditions

Ambient temperature (operation)	-20 °C ... 70 °C
Ambient temperature (storage/transport)	-40 °C ... 80 °C

General data

Conformance	CE-compliant
-------------	--------------

Standards and Regulations

Conformance	CE-compliant
-------------	--------------

HART transfer board - MACX MCR-S-MUX-TB - 2308124

Classifications

eCl@ss

eCl@ss 4.0	27210107
eCl@ss 4.1	27210107
eCl@ss 5.0	27210107
eCl@ss 5.1	27210107
eCl@ss 6.0	27210107
eCl@ss 7.0	27210107
eCl@ss 8.0	27379201
eCl@ss 9.0	27379201

ETIM

ETIM 3.0	EC000310
ETIM 4.0	EC002498
ETIM 5.0	EC002498

UNSPSC

UNSPSC 6.01	30211506
UNSPSC 7.0901	39121008
UNSPSC 11	39121008
UNSPSC 12.01	39121008
UNSPSC 13.2	39121008

Approvals

Approvals

Approvals

EAC

Ex Approvals

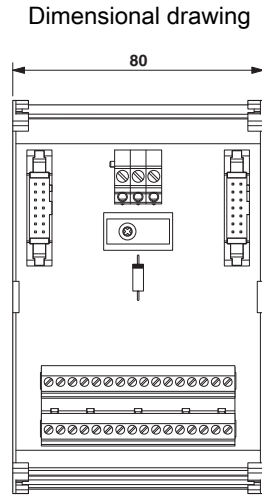
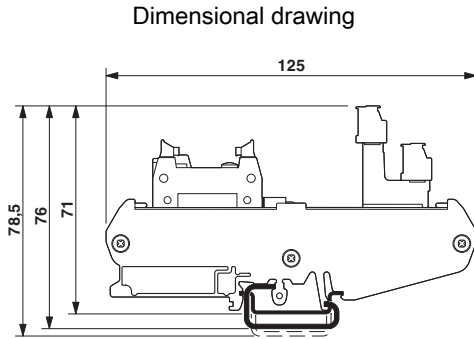
Approvals submitted

Approval details

EAC

HART transfer board - MACX MCR-S-MUX-TB - 2308124

Drawings



Mouser Electronics

Authorized Distributor

Click to View Pricing, Inventory, Delivery & Lifecycle Information:

[Phoenix Contact:](#)

[2308124](#)