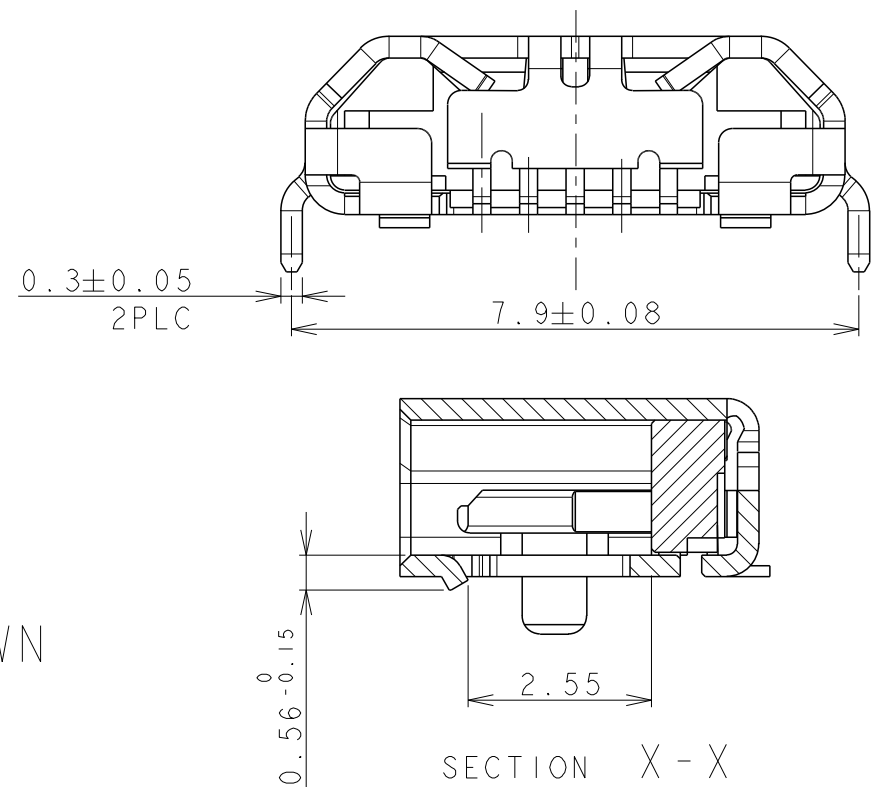
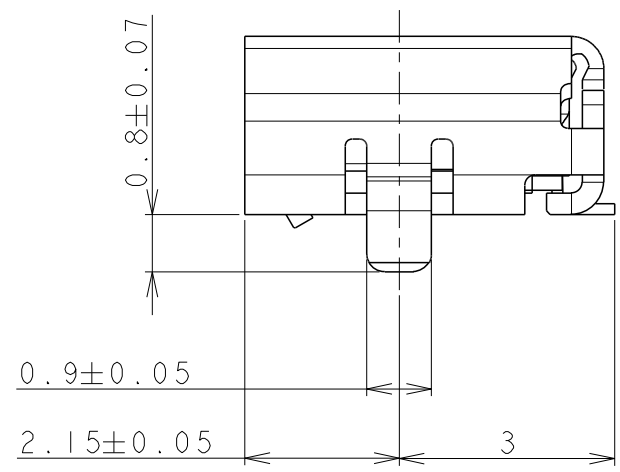


- △ MATERIAL  
CONTACT: COPPER ALLOY  
SHELL: STAINLESS STEEL  
HOUSING: HIGH TEMPERATURE THERMO PLASTIC  
UL94V-0 BLACK
- △ FINISH  
CONTACT: 0.5 um MIN. GOLD PLATING ON CONTACT SURFACE AND  
0.05 um MIN. GOLD PLATING ON SOLDERING TINE SURFACE  
ALL OVER 0.8 um MIN NICKEL UNDER PLATING.  
SHELL: TIN PLATING ALL OVER NICKEL UNDER PLATING.
- 3 CONTACT COPLANARITY: 0.08 MAX
- △ REFERENCE PICK AND PLACE AREA.
- △ DATE CODE MARKING: YWWD (YEAR/WEEK/DAY)  
SLP4 (SHIFT, LINE, P4=REVISION CODE)
- △ 7 RECOMMENDED PCB THICKNESS: 1.0±0.08  
RECOMMENDED STENCIL THICKNESS: 0.10mm.



1932788-1; AS SHOWN

THIS DRAWING IS A CONTROLLED DOCUMENT.		DWN	01AUG2011	 TE Connectivity	NAME MICRO USB CONNECTOR RECEPTACLE REVERSE TYPE B FLANGELESS
DIMENSIONS: mm		CHK	Ming Shi		
TOLERANCES UNLESS OTHERWISE SPECIFIED: ± 0.3		APVD	Martin Li		
0 PLC ± 1 PLC ± 2 PLC ± 3 PLC ± 4 PLC ± ANGLES ±5°		PRODUCT SPEC	108-115022-1		
MATERIAL		APVD	Steven Yao	APPLICATION SPEC	RESTRICTED TO
FINISH		WEIGHT	0.226g	SIZE	A3
△ 1 △ 2		CUSTOMER DRAWING	SCALE 8:1	CAGE CODE	300779
				DRAWING NO	C-1932788
				SHEET	1 OF 2
				REV	A1

4

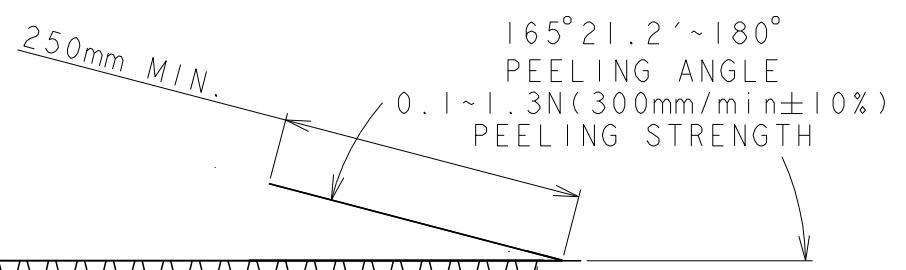
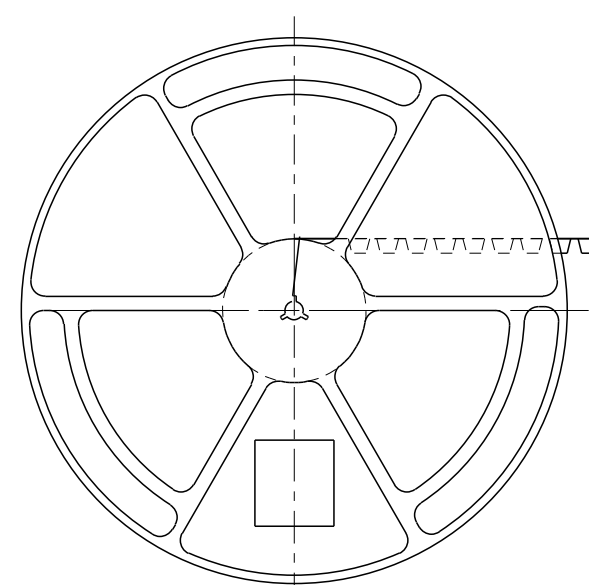
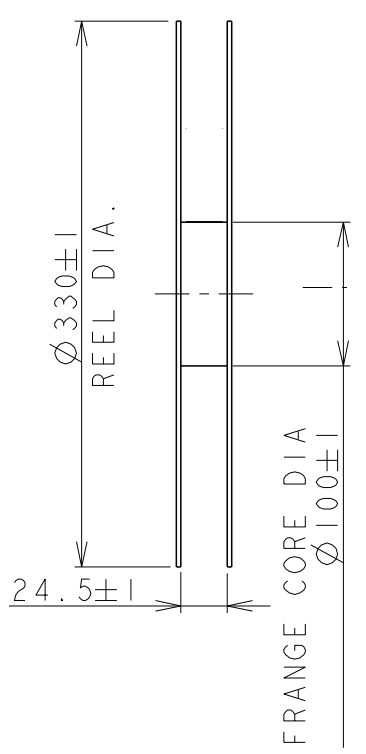
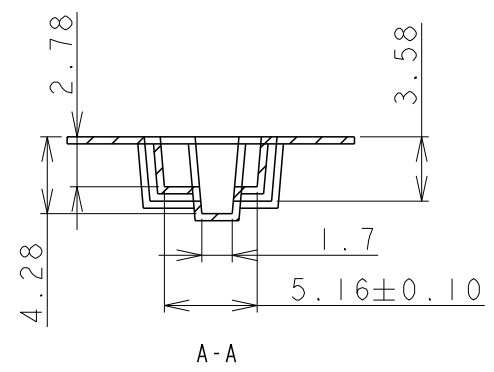
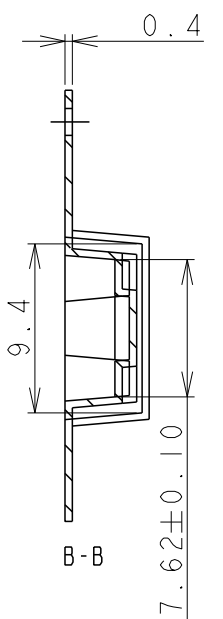
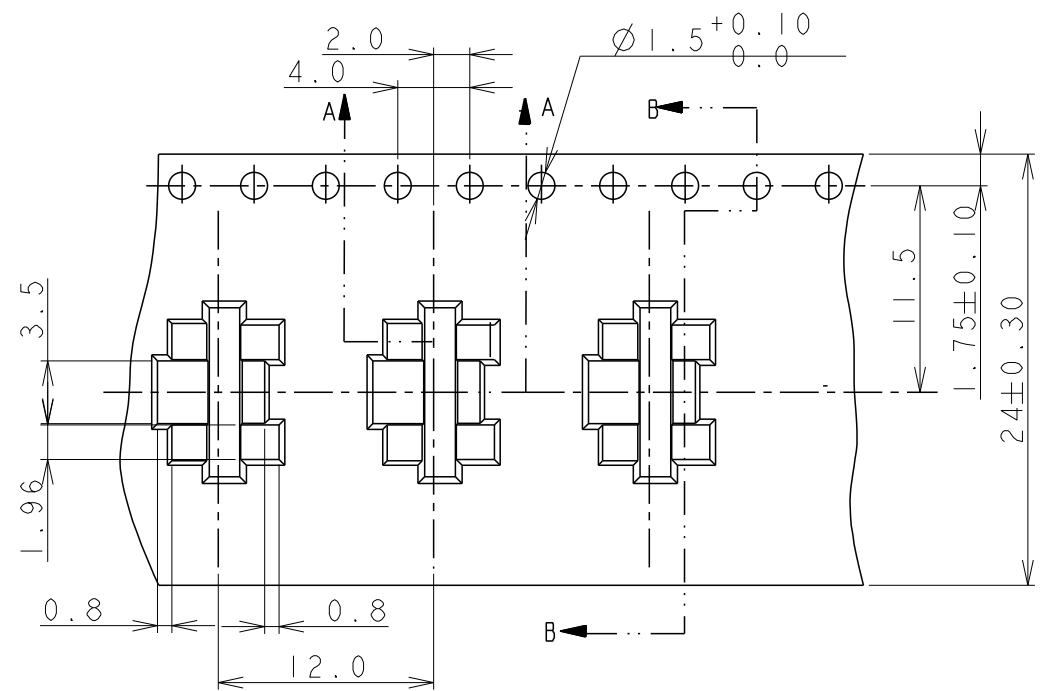
3

2

1

THIS DRAWING IS UNPUBLISHED. RELEASED FOR PUBLICATION 20  
© COPYRIGHT 20 ALL RIGHTS RESERVED.

LOC	DIST	REVISIONS					
ES	00	P	LTR	DESCRIPTION	DATE	DWN	APVD
				SEE SHEET 1			



40mm MIN. WITHOUT CHARGE SEALED WITH COVER TAPE | WITH PRODUCT CHARGE 1000 PCS/IREEL | 100mm MIN. WITHOUT CHARGE SEALED WITH COVER TAPE

NOTES:  
1. MATERIAL: ANTISTATIC PS CLEAR, THICKNESS 0.40mm.  
2. QUANTITY PER REEL: 1000 PCS.

THIS DRAWING IS A CONTROLLED DOCUMENT.		DWN	01AUG2011	TE Connectivity <b>MICRO USB CONNECTOR RECEPTACLE REVERSE TYPE B FLANGELESS</b>	RESTRICTED TO		
DIMENSIONS: mm		CHK	01AUG2011				
TOLERANCES UNLESS OTHERWISE SPECIFIED: ±0.3		APVD	01AUG2011				
0-PLC ± 1-PLC ± 2-PLC ± 3-PLC ± 4-PLC ± ANGLES ±5°		NAME					
MATERIAL		FINISH		SIZE	CAGE CODE	DRAWING NO	
				A3	00779	C-1932788	
				WEIGHT	X.XXg		
				CUSTOMER DRAWING	SCALE	8:1	SHEET 2 OF 2 REV A1

# Mouser Electronics

Authorized Distributor

Click to View Pricing, Inventory, Delivery & Lifecycle Information:

[TE Connectivity:](#)

[1932788-1](#)