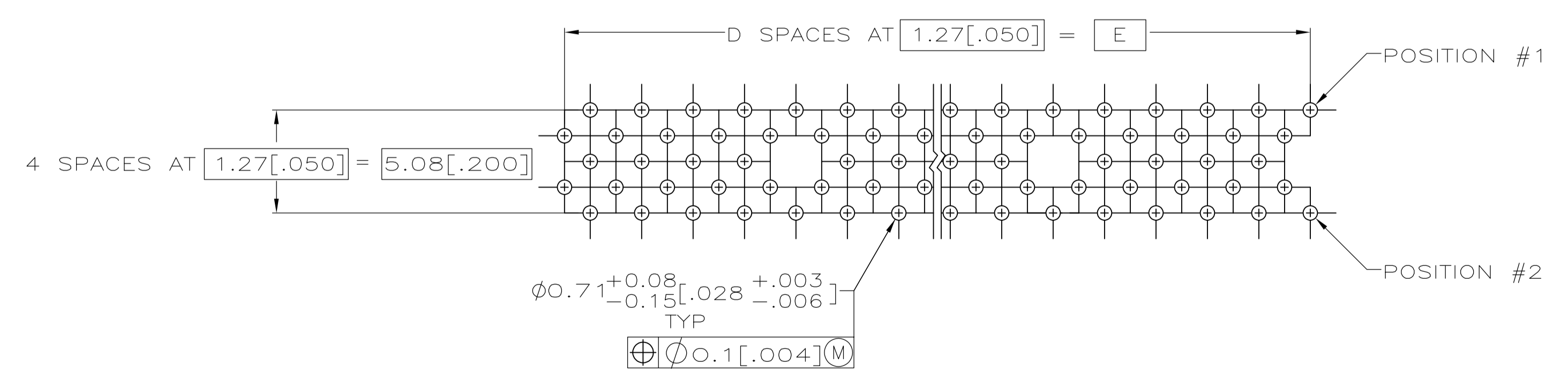
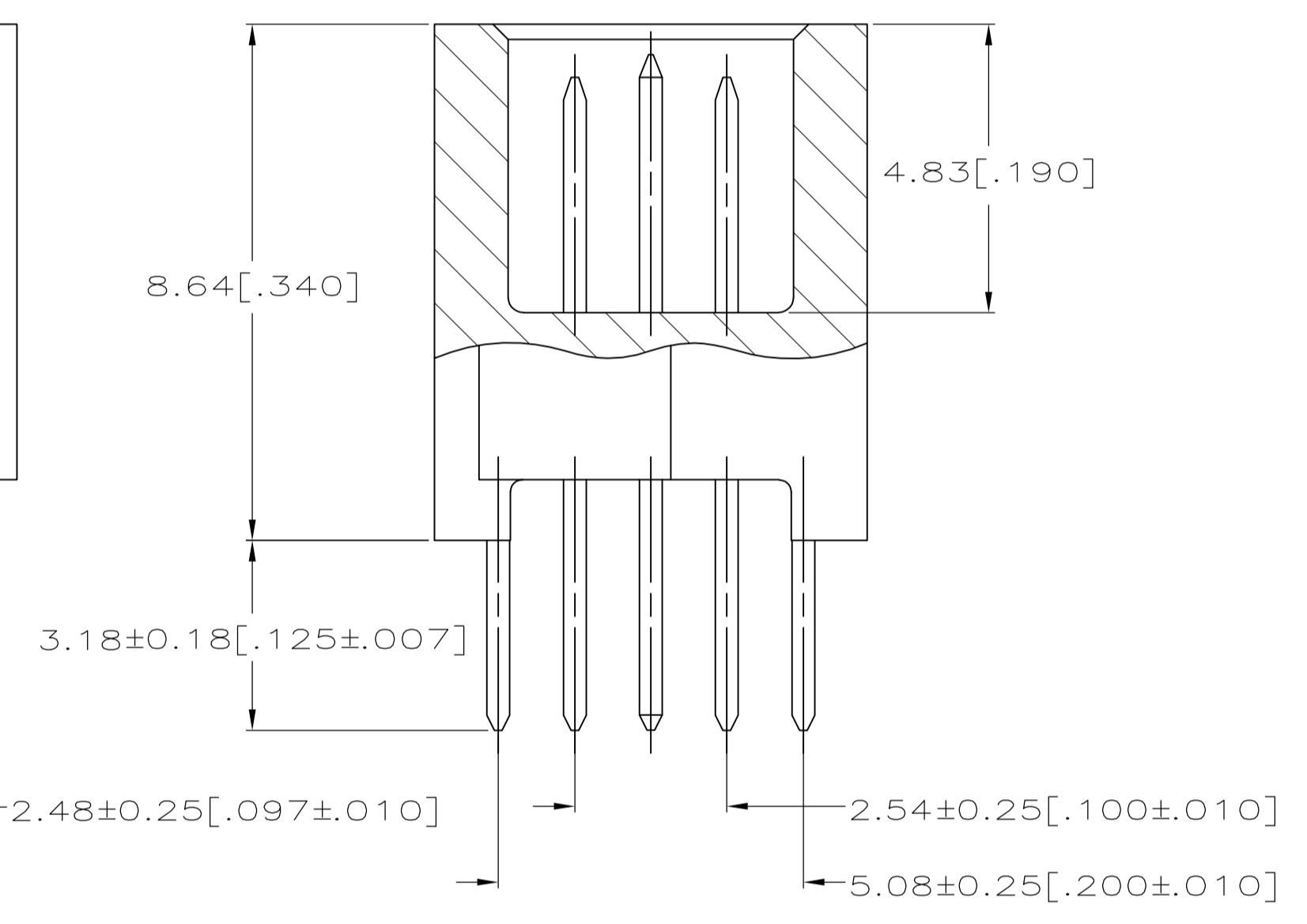
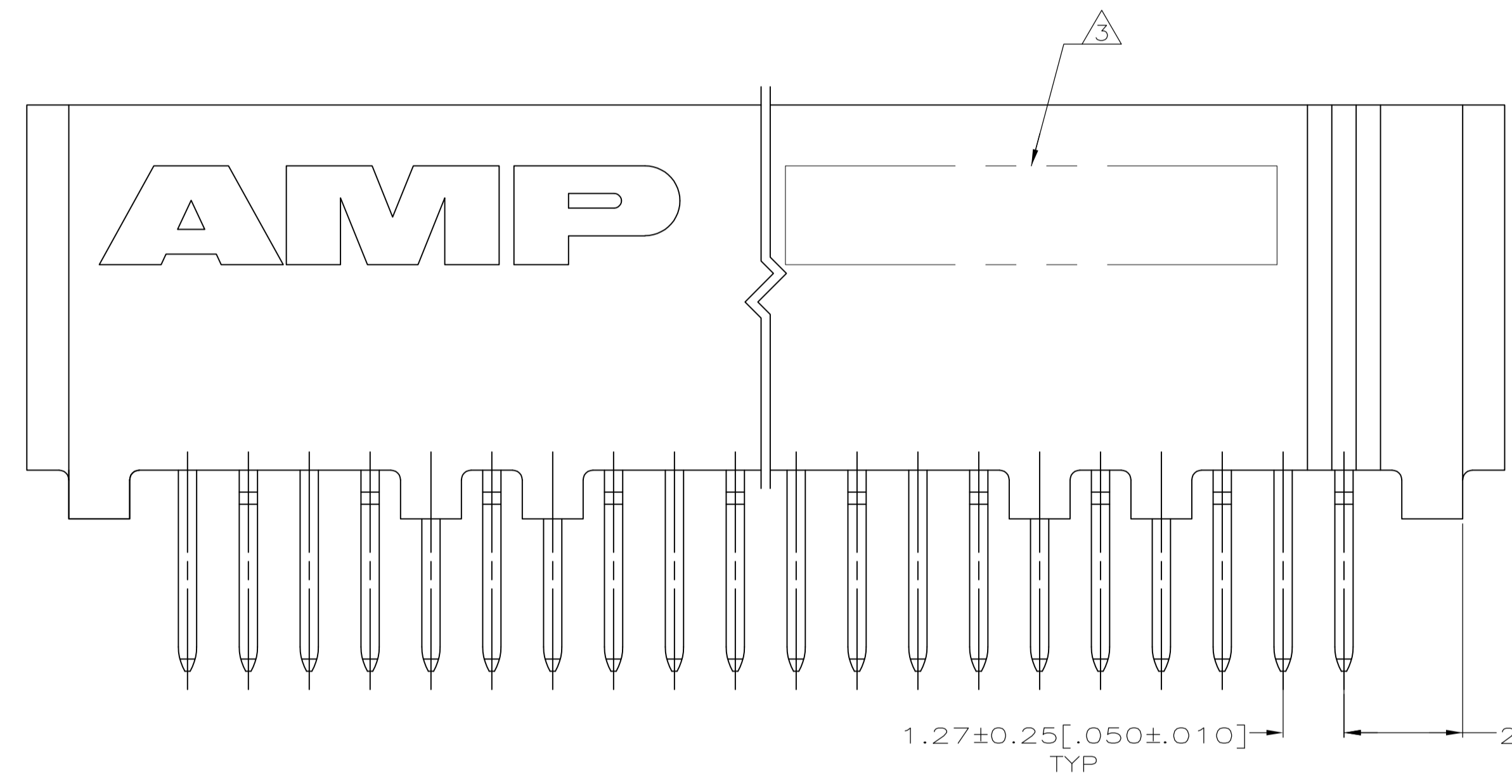


- 1 HOUSING: HIGH TEMPERATURE THERMOPLASTIC, COLOR NATURAL.  
PIN CONTACTS: PHOSPHOR BRONZE.  
GROUND BUSES: PHOSPHOR BRONZE.
- 2 CONTACTS & GROUND BUSES: 0.00076(.000030) MIN. GOLD PER ASTM B 488 ON CONTACT AREA, 0.00254-0.00762(.000100-.000300) MATTE TIN PER ASTM B 545 ON SOLDER TAIL, ALL OVER 0.00127-0.00254(.000050-.000100) MATTE NICKEL PER SAE AMS-QQ-N-290 ON ENTIRE CONTACT.
- 3 DATE CODE MARKED IN AREA INDICATED.



|                        |    |                |                |                |           |             |
|------------------------|----|----------------|----------------|----------------|-----------|-------------|
| 125.73 [4.950]         | 99 | 128.22 [5.048] | 130.68 [5.145] | 132.44 [5.214] | 200       | 5536272-9   |
| 113.03 [4.450]         | 89 | 115.52 [4.548] | 117.98 [4.645] | 119.74 [4.714] | 180       | 5536272-8   |
| 100.33 [3.950]         | 79 | 102.82 [4.048] | 105.28 [4.145] | 107.04 [4.214] | 160       | 5536272-7   |
| 87.63 [3.450]          | 69 | 90.12 [3.548]  | 92.58 [3.645]  | 94.34 [3.714]  | 140       | 5536272-6   |
| OBSOLETE 74.93 [2.950] | 59 | 77.42 [3.048]  | 79.88 [3.145]  | 81.64 [3.214]  | 120       | 5536272-5   |
| OBSOLETE 62.23 [2.450] | 49 | 64.72 [2.548]  | 67.18 [2.645]  | 68.94 [2.714]  | 100       | 5536272-4   |
| OBSOLETE 49.53 [1.950] | 39 | 52.02 [2.048]  | 54.48 [2.145]  | 56.24 [2.214]  | 80        | 5536272-3   |
| OBSOLETE 36.83 [1.450] | 29 | 39.32 [1.548]  | 41.78 [1.645]  | 43.54 [1.714]  | 60        | 5536272-2   |
| OBSOLETE 24.13 [.950]  | 19 | 26.62 [1.048]  | 29.08 [1.145]  | 30.84 [1.214]  | 40        | 5536272-1   |
| E                      | D  | C              | B              | A              | NO OF POS | PART NUMBER |

THIS DRAWING IS A CONTROLLED DOCUMENT.

|                         |  |           |           |                    |                      |                     |            |
|-------------------------|--|-----------|-----------|--------------------|----------------------|---------------------|------------|
| DIMENSIONS: mm [INCHES] | TOLERANCES UNLESS OTHERWISE SPECIFIED: | 0 PLC ± - | 1 PLC ± - | 2 PLC ± -          | 3 PLC ± 0.13 [0.005] | 4 PLC ± -           | ANGLES ± - |
| MATERIAL                |  | FINISH    |           | APPROVED: A1 00779 |                      | DRAWING NO: 5536272 |            |
| CUSTOMER DRAWING        |  |           |           | SCALE: 10:1        |                      | SHEET 1 OF 1        |            |

THIS DRAWING IS A CONTROLLED DOCUMENT. DATE: 01-20-05. BY: A. FERNANDEZ. CHECKED BY: D. DIXON. PRODUCT SPEC: 108-1272. APPLICATION SPEC: 114-11005. WEIGHT: -. SIZE: A1. RESTRICTED TO: -.

Tyco Electronics Corporation, Harrisburg, PA 17105-3608. Tyco Electronics Corporation, Harrisburg, PA 17105-3608. Tyco Electronics Corporation, Harrisburg, PA 17105-3608. Tyco Electronics Corporation, Harrisburg, PA 17105-3608. Tyco Electronics Corporation, Harrisburg, PA 17105-3608. Tyco Electronics Corporation, Harrisburg, PA 17105-3608. Tyco Electronics Corporation, Harrisburg, PA 17105-3608. Tyco Electronics Corporation, Harrisburg, PA 17105-3608. Tyco Electronics Corporation, Harrisburg, PA 17105-3608. Tyco Electronics Corporation, Harrisburg, PA 17105-3608.

# Mouser Electronics

Authorized Distributor

Click to View Pricing, Inventory, Delivery & Lifecycle Information:

[TE Connectivity:](#)

[5536272-9](#)