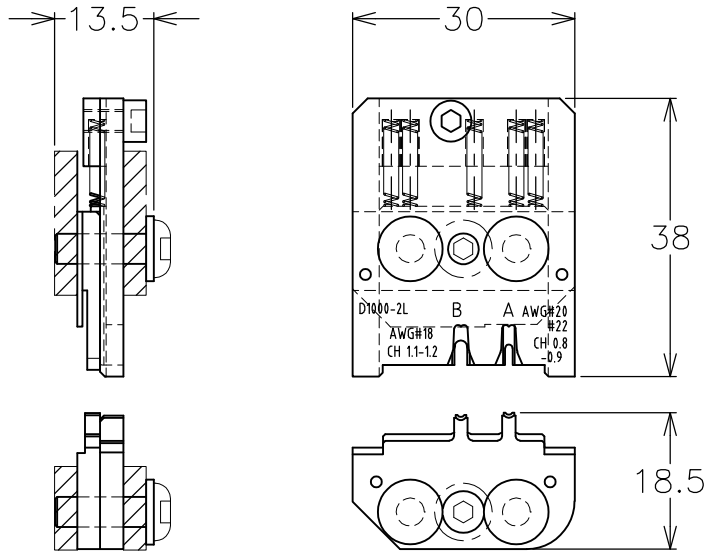


REVISIONS

P	LTR	DESCRIPTION	DATE	DWN	APVD
	C	ECR-16-009790	11JUL2016	S.N	J.K

-1: AS SHOWN



RELEASED FOR PUBLICATION


ALL RIGHTS RESERVED.

By Tyco Electronics Japan C.K.

THIS DRAWING IS UNPUBLISHED.

© COPYRIGHT

CRIMP SYMBOL	TERMINAL No.	WIRE SIZE AWG#	INS. RANGE (mm)	TERMINAL CH (mm)		IS. No.	APPL. SPEC.
				WIRE	INS.		
A	1827589-2 1871745-1	#20,#22	ø1.4~ø2.0	0.8-0.9	2.1 REF	411-78194	114-5377
B	1903118-2 1903126-1	#18	ø1.8~ø2.2	1.1-1.2	2.4 REF		

DIMENSIONS: ??? ? mm	DWN S.NAKA 22.APR.2005	MATERIAL ??	FINISH ??
	CHK S.YABE 22.APR.2005	 TE Connectivity	
TOLERANCES UNLESS OTHERWISE SPECIFIED: ????	APVD S.NAKA 22.APR.2005		
0 PLC ± -	PRODUCT SPEC ????	SIZE A4	CAGE CODE 00779
1 PLC ± -	APPLICATION SPEC ??????	DRAWING NO ??	1762626
2 PLC ± -		RESTRICTED TO	-
3 PLC ± -		WEIGHT 70g	
4 PLC ± -		CUSTOMER DRAWING	SCALE ?? 1:1
ANGLES ± -			SHEET 1 OF 1
			REV C

Mouser Electronics

Authorized Distributor

Click to View Pricing, Inventory, Delivery & Lifecycle Information:

[TE Connectivity:](#)

[1762626-1](#)