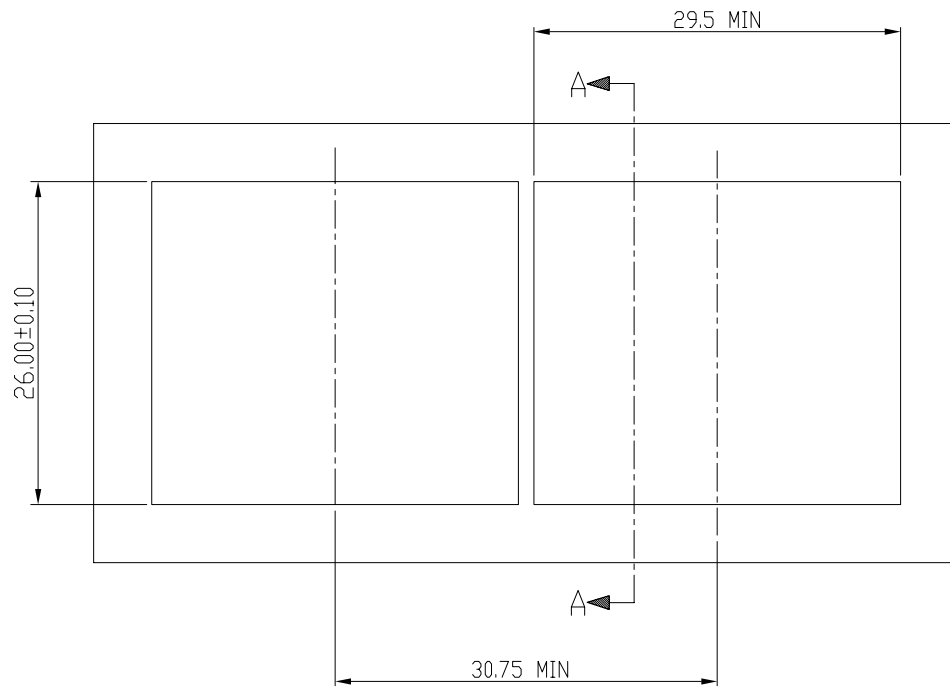
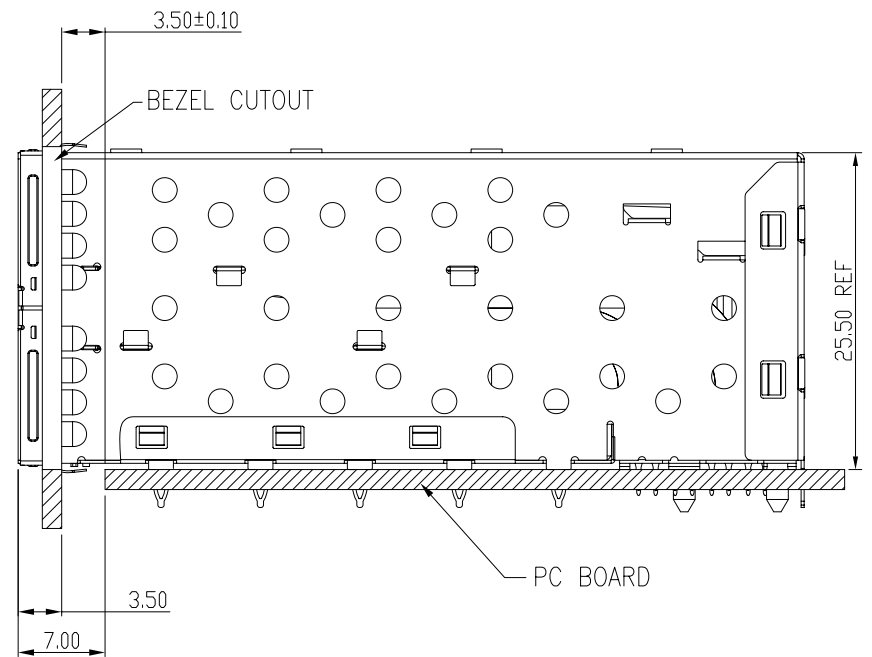


Qty Per:	TRAY	CARTON		
	12	72		
PART NUMBER	STATEMENT			
SFPP-3130-L	INNER/OUTER LIGHT PIPES			
No.	DESCRIPTION	Q'ty	MATERIAL	PLATING
01	SFP CAGE (Non-Logo)	1	ECOTRIO	
02	CONNECTOR	2	HIGH TEMP/COPPER ALLOY	GOLD
03	LIGHT PIPES	2	POLYCARBONITE	
04	EMI TAB	2	ECOTRIO	

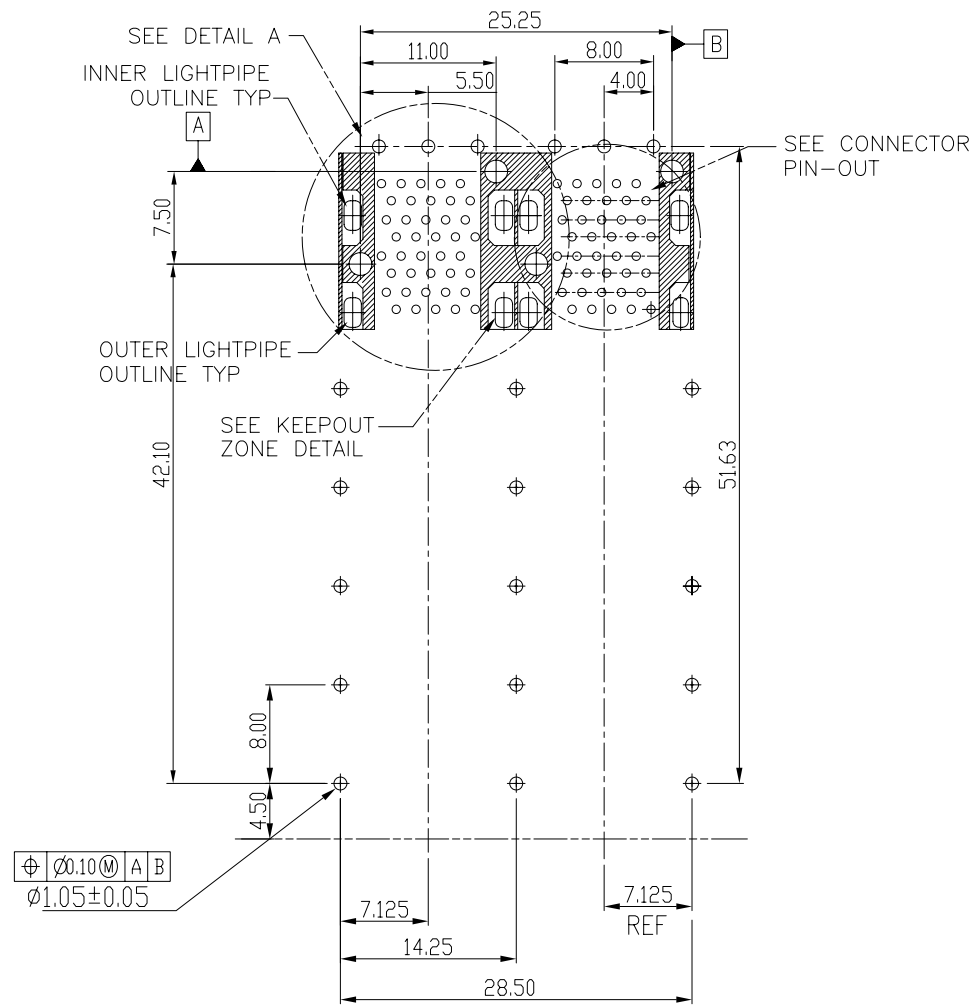
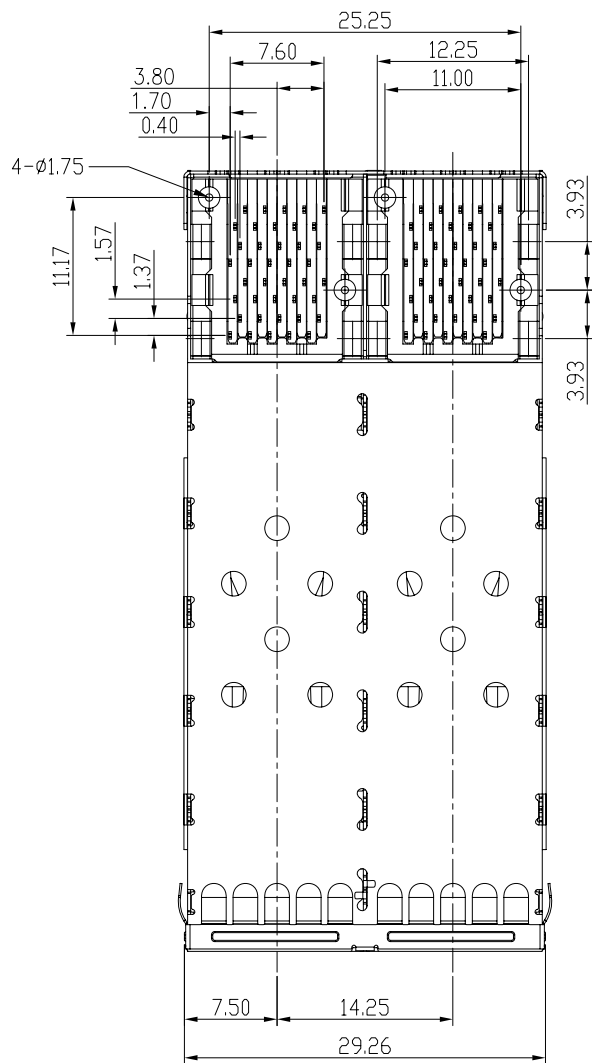
DETACHED LISTS	MM (INCH)	<b>RoHS Compliant</b>		
	TOLERANCES EXCEPT AS NOTED			
	MM		TITLE	W/LIGHT PIPES&EMI TAB
	.0 ± 0.25 ± .00 ± 0.2 ± .000 ± 0.10 ±		SFPP PLUS 2 BY 2 CAGE+CONNECTOR_P	
ANGLES ± 0.5		DFTD Jack	DRAWING NO. CSFPP-3130-L	SIZE A3
	THIRD ANGLE PROJECTION	DATE 11/18/08'	/PART NO. SFPP-3130-L	REV 0
	SCALE : 2:1	DO NOT SCALE DRAWING	SHEET 1	OF 4



BEZEL CUT-OUT CENTER SPACING DETAIL  
 BEZEL THICKNESS:0.8-2.6



DETACHED LISTS	$\longleftrightarrow$ MM $\longleftrightarrow$ (INCH)	<b>RoHS Compliant</b>			
	TOLERANCES EXCEPT AS NOTED	TITLE			
	MM .0 ± 0.25 ± .00 ± 0.2 ± .000 ± 0.10 ±	W/LIGHT PIPES&EMI TAB			
	ANGLES ± 0.5	SFP 2 BY 2 CAGE+CONNECTOR_P			
 THIRD ANGLE PROJECTION	DFTD Jack	DRAWING NO. CSFPP-3130-L	SIZE	REV	A
	DATE 11/18/08'	/PART NO. SFPP-3130-L	A3	0	
SCALE : 2:1		DO NOT SCALE DRAWING	SHEET 2	OF 4	



8

7

6

5

4

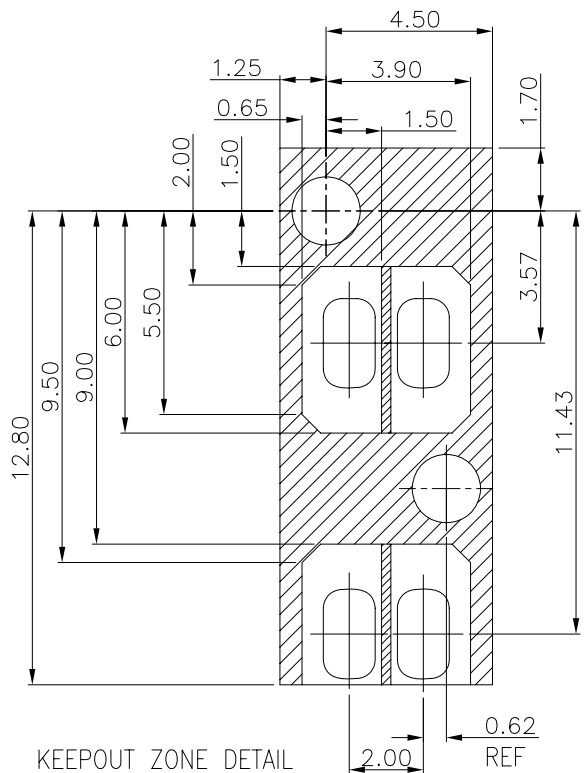
3

2

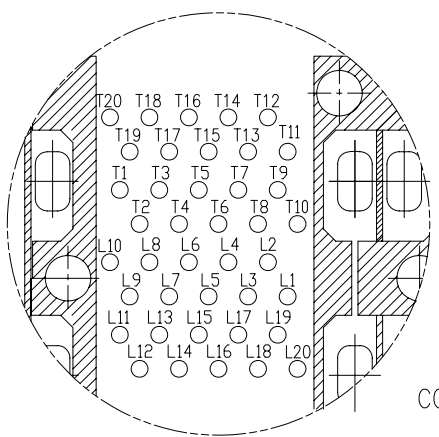
1

DETACHED LISTS	MM (INCH)	<b>RoHS Compliant</b>		<b>Pulse</b> A TECHNITOL COMPANY	
	TOLERANCES EXCEPT AS NOTED				
	MM	TITLE			
	.0 ± 0.25 ± .00 ± 0.2 ± .000 ± 0.10 ± ANGLES ± 0.5	W/LIGHT PIPES&EMI TAB SFP 2 BY 2 CAGE+CONNECTOR_P			
	THIRD ANGLE PROJECTION	DFTD Jack	DRAWING NO. CSFPP-3130-L	SIZE	REV
		DATE 11/18/08	/PART NO. SFPP-3130-L	A3	0
		SCALE : 2:1	DO NOT SCALE DRAWING	SHEET 3	OF 4

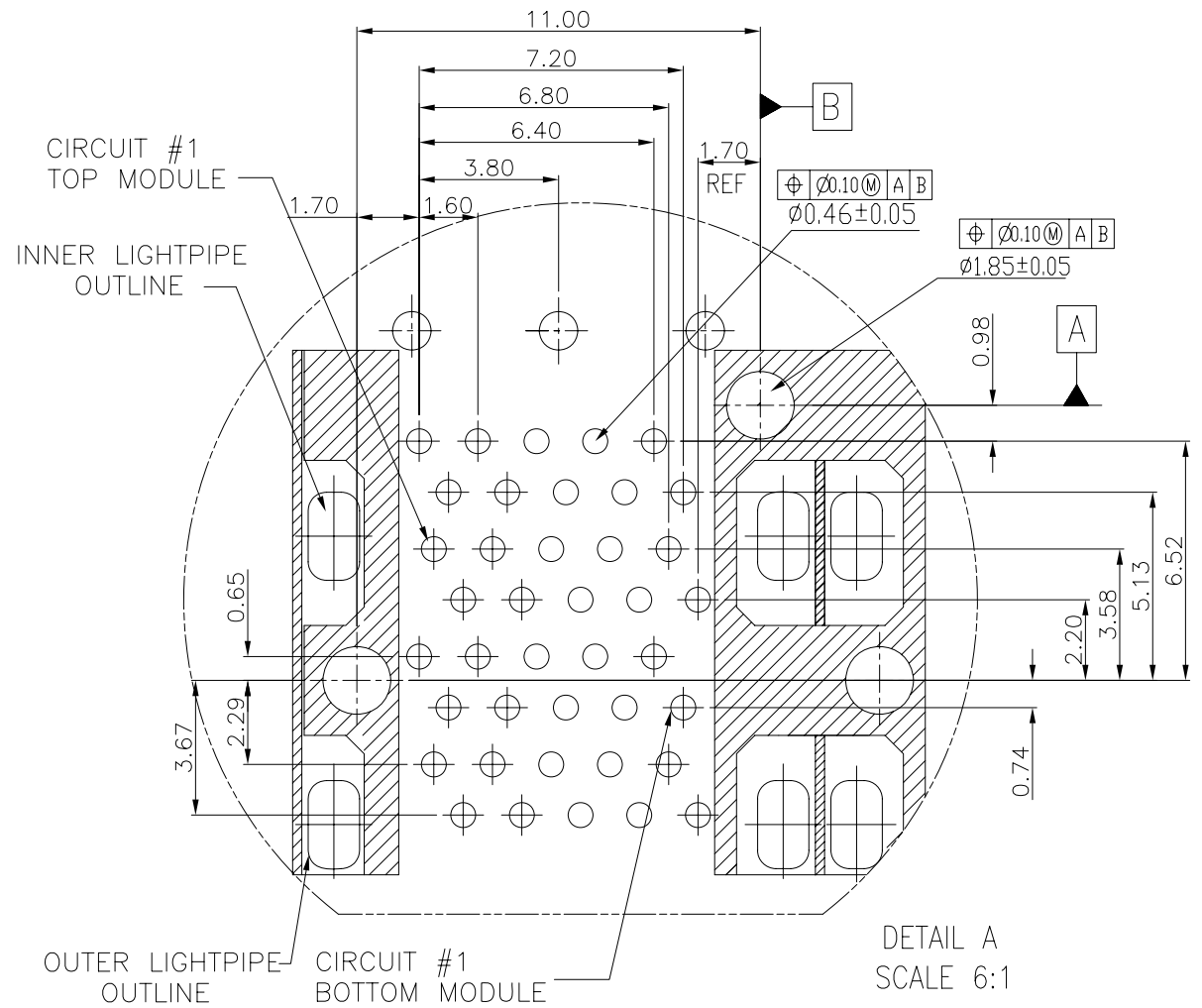
H  
G  
F  
E  
D  
C  
B  
A



KEEPOUT ZONE DETAIL  
SCALE 6:1



CONNECTOR PIN-OUT  
COMPONENT SIDE OF BOARD



DETAIL A  
SCALE 6:1

MM (INCH)		<b>RoHS Compliant</b>			
TOLERANCES EXCEPT AS NOTED		TITLE SFP 2 BY 2 CAGE+CONNECTOR_P			
MM .0 ± 0.25 ± .00 ± 0.2 ± .000 ± 0.10 ±		W/LIGHT PIPES&EMI TAB			
ANGLES ± 0.5		DFTD Jack DATE 11/18/08		DRAWING NO. CSFPP-3130-L /PART NO. SFPP-3130-L	
		SCALE : 2:1		SIZE REV A3 0	
THIRD ANGLE PROJECTION		DO NOT SCALE DRAWING		SHEET 4 OF 4	

# Mouser Electronics

Authorized Distributor

Click to View Pricing, Inventory, Delivery & Lifecycle Information:

Pulse:

[SFPP-3130-L](#)