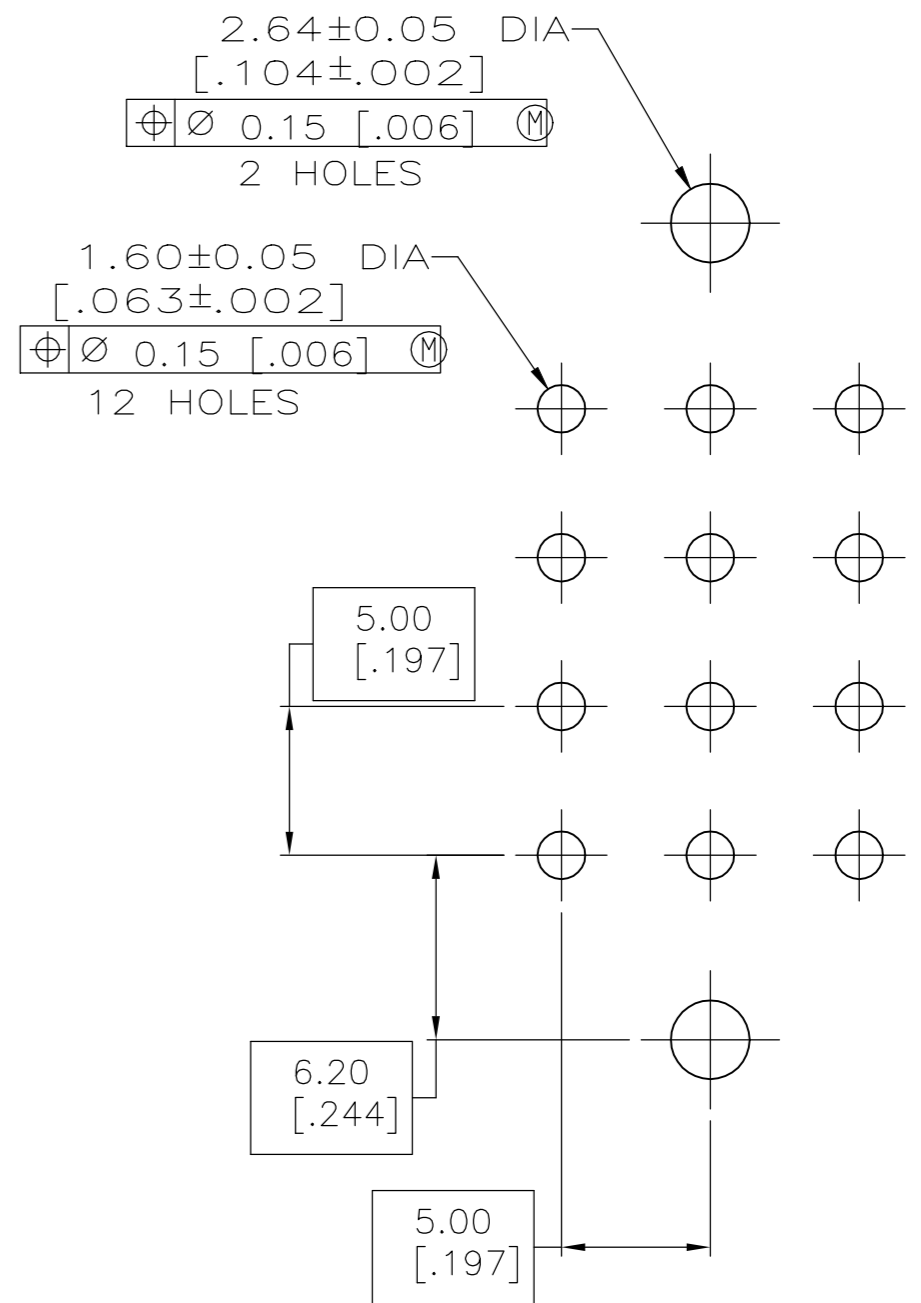
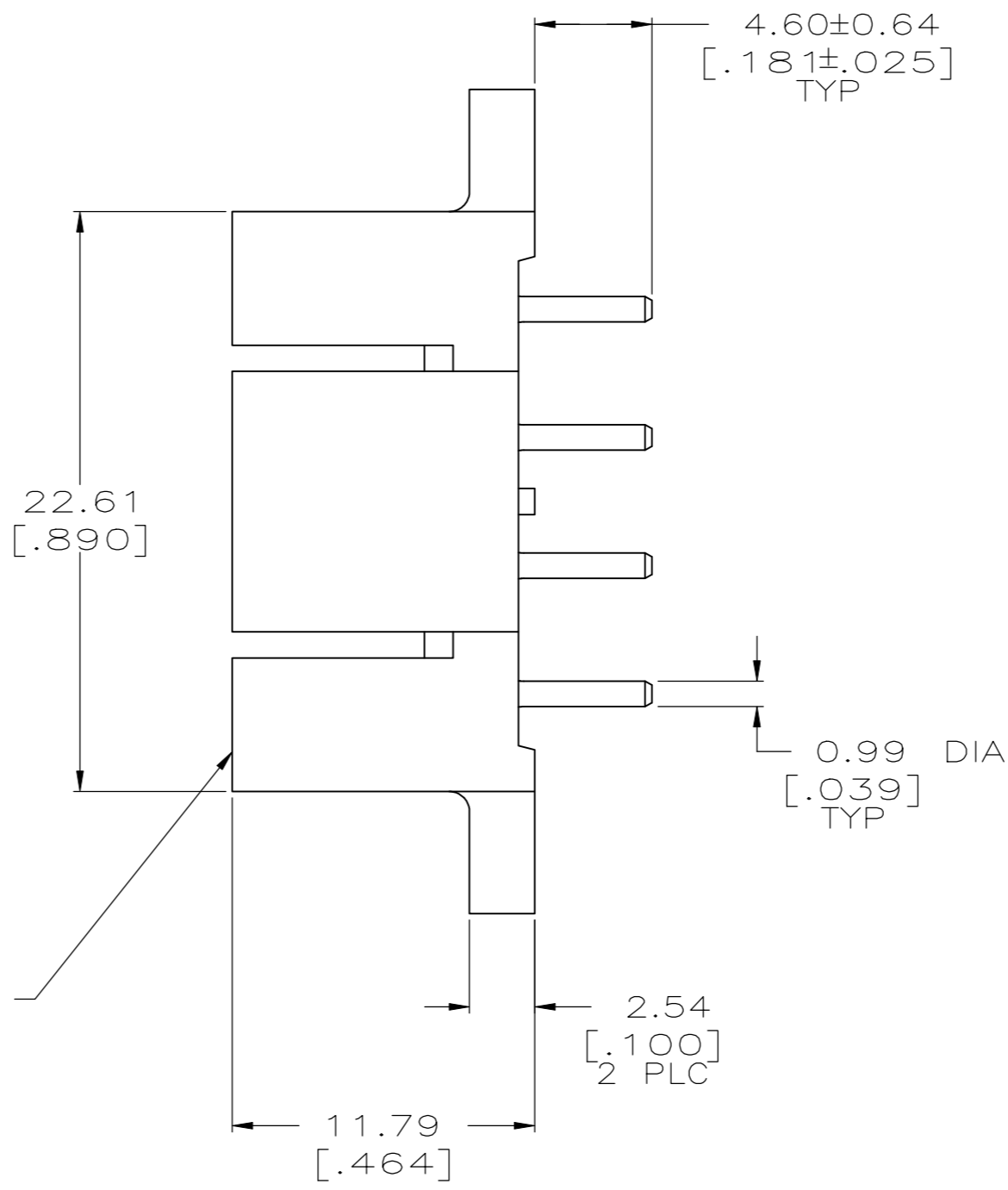
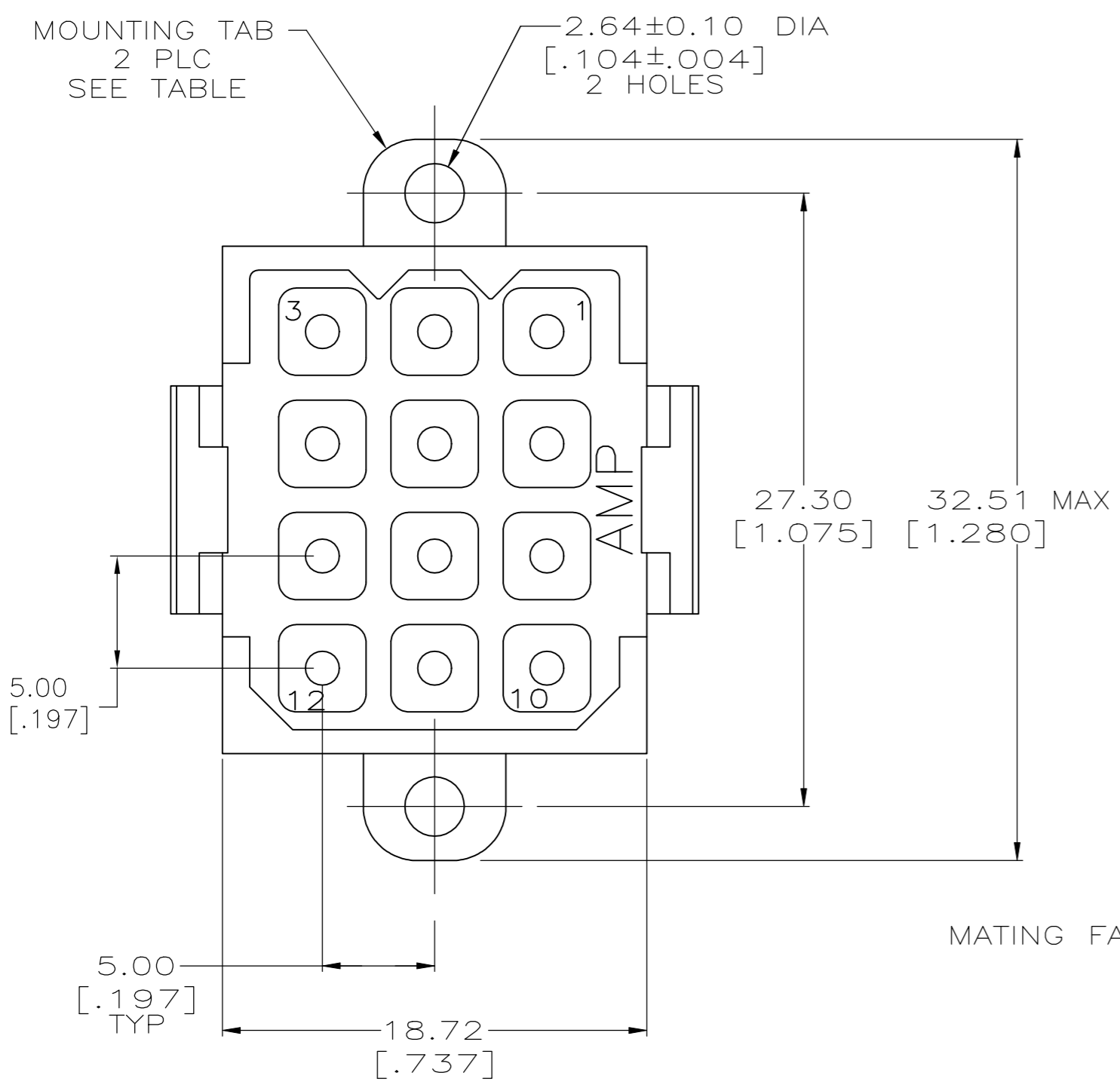
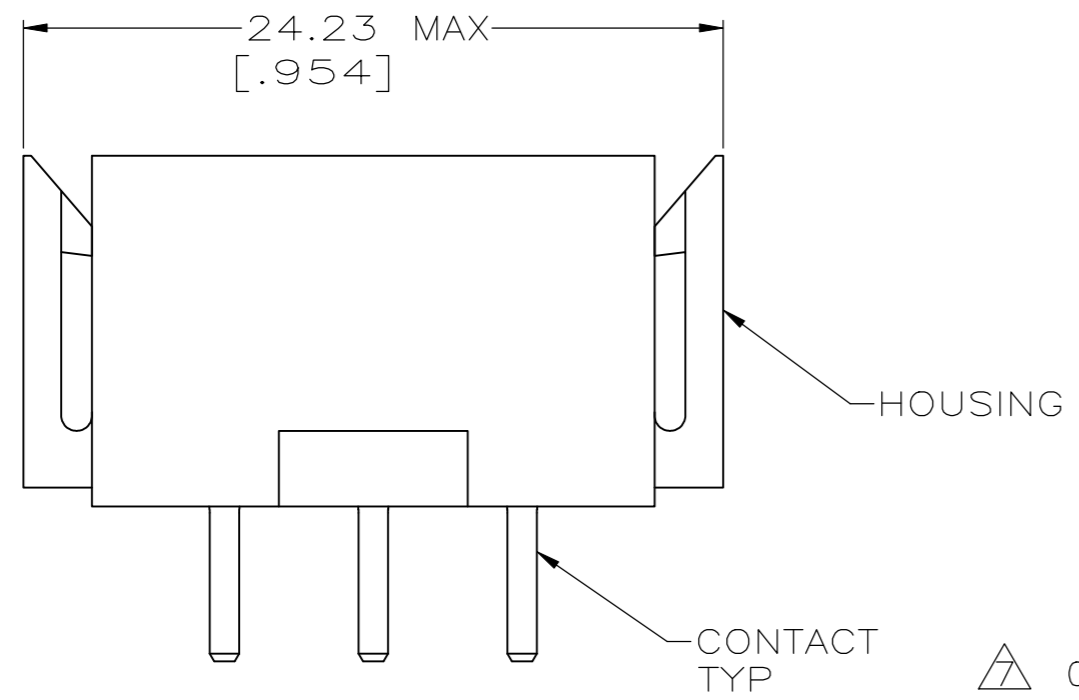


REVISIONS					
P	LTR	DESCRIPTION	DATE	DWN	APVD
	S2	REVISED PER ECO-11-004820	11MAR11	RK	HMR
	T	REVISED PER ECO-18-000441	23JAN2018	RS	MZ



RECOMMENDED PC BOARD LAYOUT



- ① NYLON, UL 94V-0 RATED, RED.
- ② BRASS PER ASTM B36.
- ③ 3.81µm [.000150] MIN TIN OVER 2.54µm [.000100] MIN COPPER.
- ④ 0.76µm [.000030] MIN GOLD FOR A LENGTH OF 5.08 [.200] FROM MATING END, 3.81µm [.000150] MIN TIN-LEAD FOR A LENGTH OF 4.83 [.190] MIN FROM OPPOSITE END, BOTH OVER 1.27µm [.000050] MIN NICKEL.
- ⑤ SELECTIVELY LOADED CONTACTS IN POSITIONS 1 THRU 5, 7 THRU 12.
- ⑥ 3.81µm [.000150] MIN TIN OVER 2.54µm [.000100] MIN COPPER.

- ⑧ SUPERSEDED BY 1-207120-2
- ⑦ 0.76µm [.000030] MIN GOLD FOR A LENGTH OF 5.08 [.200] FROM MATING END, 3.81µm [.000150] MIN TIN FOR A LENGTH OF 4.83 [.190] MIN FROM OPPOSITE END, BOTH OVER 1.27µm [.000050] MIN NICKEL.
- ⑥ OBSOLETE PARTS: OBSOLETE CIS STREAMLINING PER D.RENAUD/D.SINISI

CONTACT FINISH	MOUNTING TABS	PART NUMBER
⑥	YES	⑤ 1-207120-2
⑦	NO	1-207120-1
⑥	NO	1-207120-0
⑥	YES	207120-9
⑦	YES	207120-8
③	YES	⑤ 207120-7
④	NO	207120-4
④	YES	207120-3
③	NO	207120-2
③	YES	207120-1

THIS DRAWING IS A CONTROLLED DOCUMENT.

DIMENSIONS: mm [INCHES]	TOLERANCES UNLESS OTHERWISE SPECIFIED:	DWN L.SIPE 03/11/92	CHK R.STONE 3-17-92	TE Connectivity Ltd.	
MATERIAL HOUSING: 1	CONTACT: SEE TABLE	APVD	NAME	PIN HEADER ASSEMBLY, 12 POSITION, METRIMATE	
		PRODUCT SPEC 108-10033	APPLICATION SPEC	SIZE A2	CAGE CODE 00779
		WEIGHT	DRAWING NO. C=207120	RESTRICTED TO	
		CUSTOMER DRAWING	SCALE 4:1	SHEET 1 of 1	REV T