

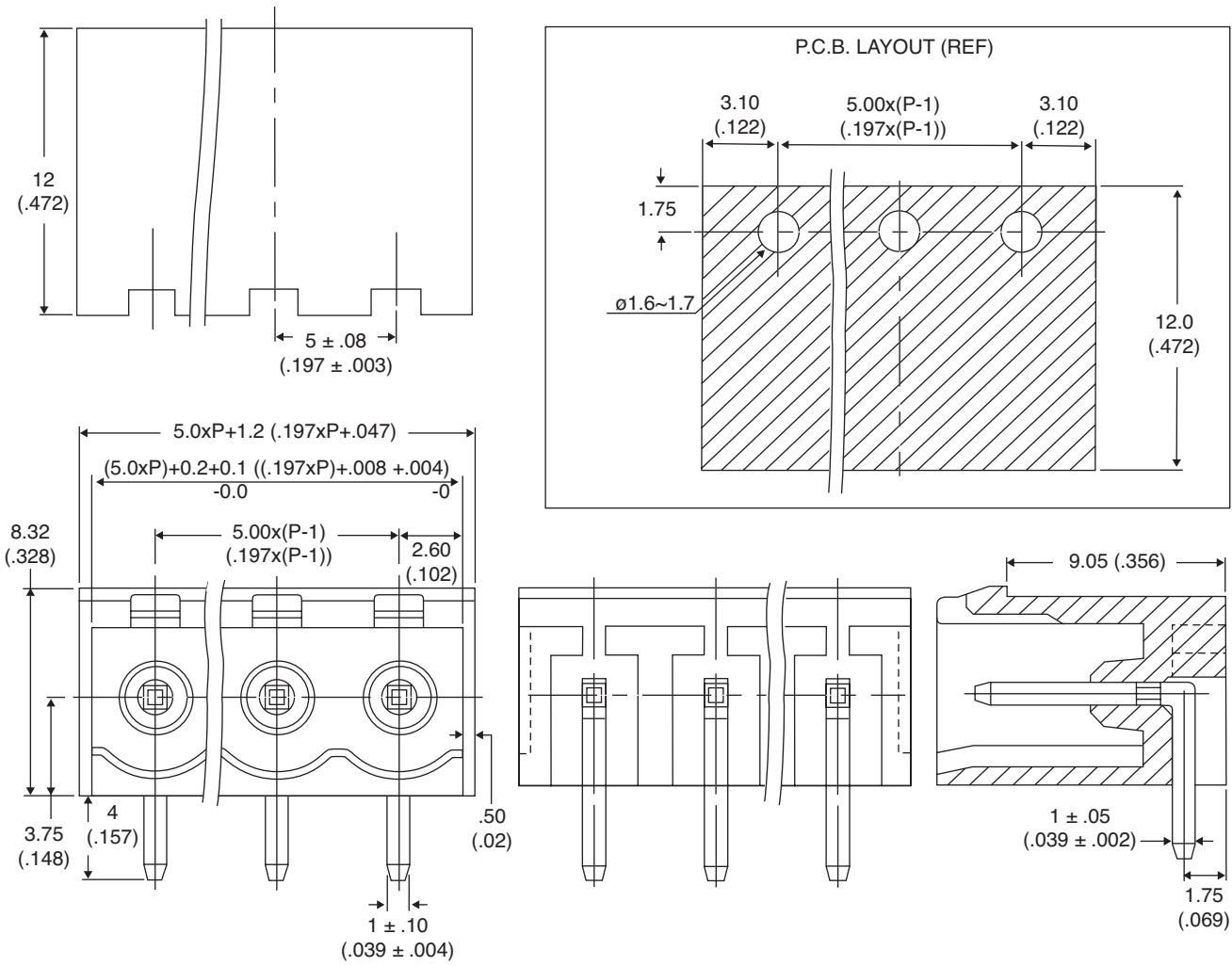
Terminal Block Headers

158-P025EHDRCH-E, 158-P035EHDRCH-E, 158-P045EHDRCH-E, 158-P055EHDRCH-E,
158-P065EHDRCH-E, 158-P075EHDRCH-E, 158-P085EHDRCH-E, 158-P095EHDRCH-E,
158-P105EHDRCH-E, 158-P115EHDRCH-E, 158-P125EHDRCH-E



Terminal Block Headers

158-P025EHDRCH-E, 158-P035EHDRCH-E, 158-P045EHDRCH-E, 158-P055EHDRCH-E, 158-P065EHDRCH-E, 158-P075EHDRCH-E, 158-P085EHDRCH-E, 158-P095EHDRCH-E, 158-P105EHDRCH-E, 158-P115EHDRCH-E, 158-P125EHDRCH-E



Dimensions: mm (in.)

SPECIFICATIONS	
Rating:	300V 15A
Pitch:	5.00 mm
Insulation withstands voltage:	AC 1500 V/min
Insulation resistance:	500MΩ or more @ DC500V
Temperature range:	-40°C ~ +105°C

MATERIAL SPECIFICATIONS	
Solder pin:	tin plated copper
Housing:	PA66, green
RoHS Compliant	

Date Last Revised: 4-13-07

Available from Mouser Electronics
1-800-346-6873 / www.mouser.com

KC- 301128

Specifications are subject to change without notice. No liability or warranty implied by this information. Environmental compliance based on producer documentation.

Mouser Electronics

Authorized Distributor

Click to View Pricing, Inventory, Delivery & Lifecycle Information:

[Kobiconn:](#)

[158-P085EHDRCH-E](#) [158-P055EHDRCH-E](#) [158-P125EHDRCH-E](#) [158-P025EHDRCH-E](#) [158-P095EHDRCH-E](#)
[158-P075EHDRCH-E](#) [158-P105EHDRCH-E](#) [158-P035EHDRCH-E](#) [158-P115EHDRCH-E](#) [158-P045EHDRCH-E](#) [158-P065EHDRCH-E](#)