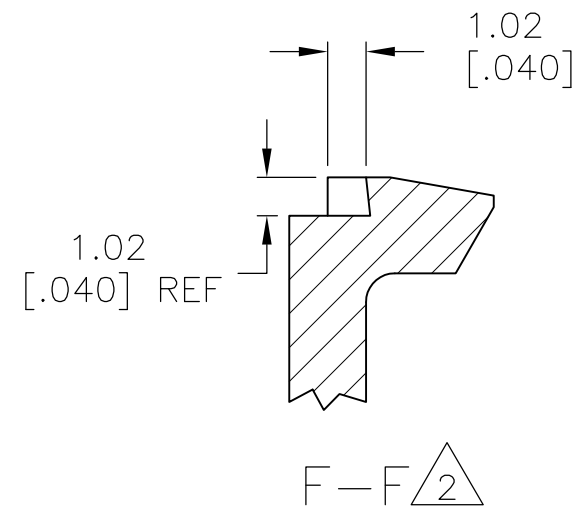
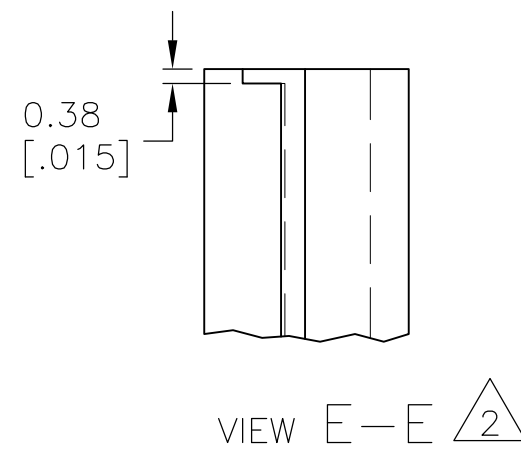
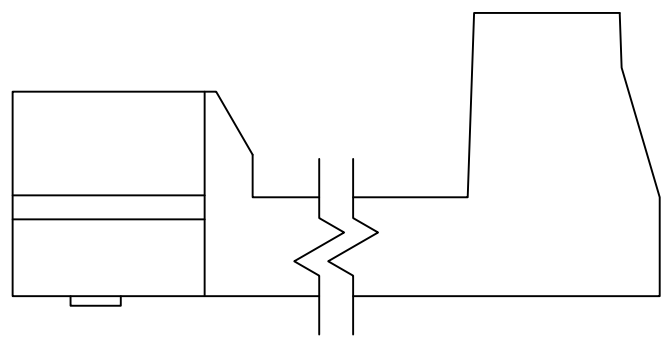
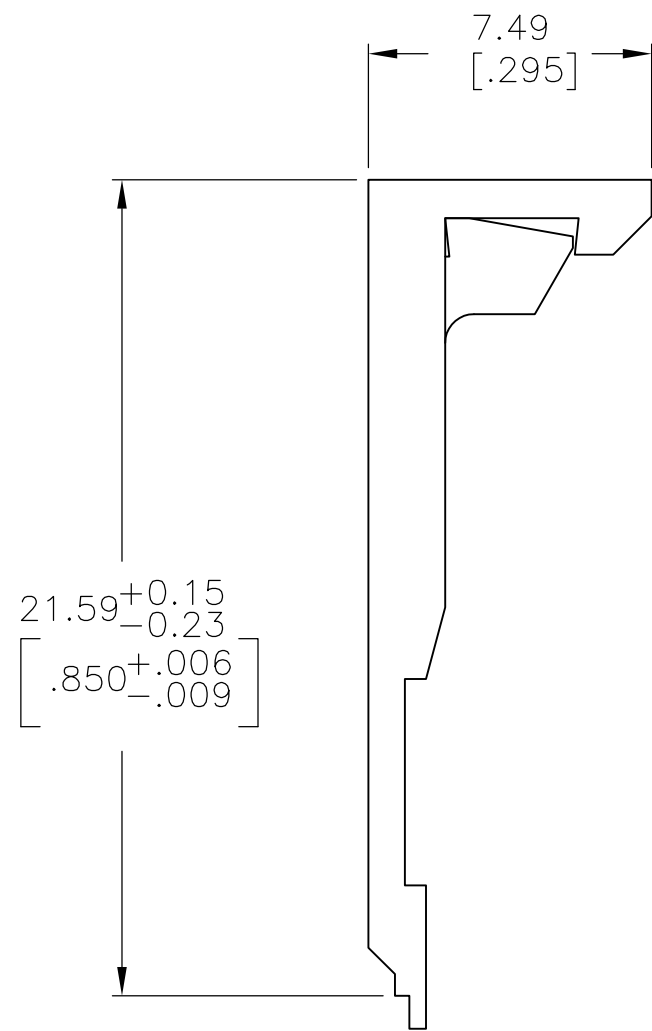
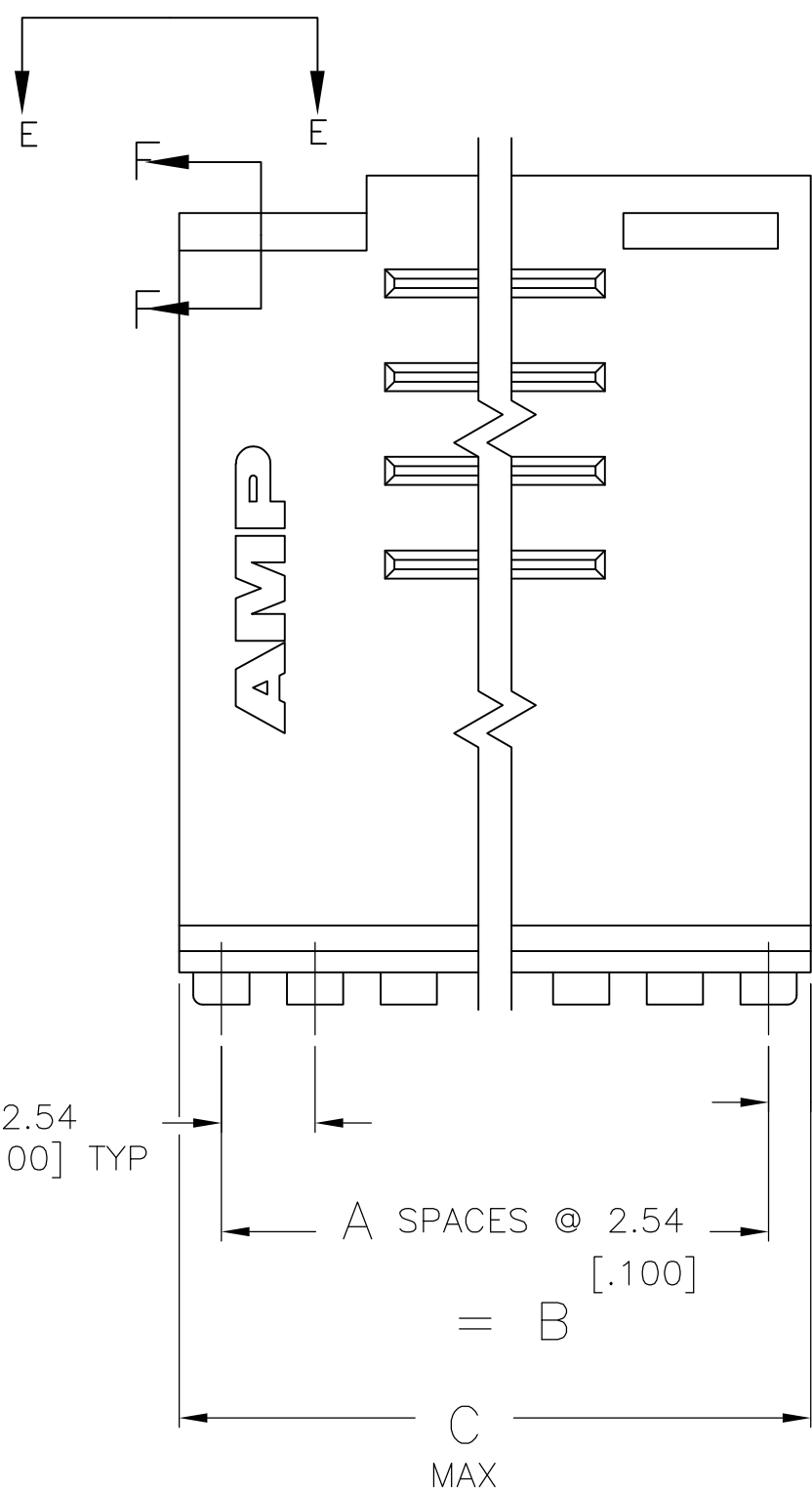


THIS DRAWING IS UNPUBLISHED. RELEASED FOR PUBLICATION
 © COPYRIGHT - By - ALL RIGHTS RESERVED.

| LOC | DIST | REVISIONS | | | | | |
|-----|------|-----------|-----|---------------------------|-----------|-----|------|
| AD | 00 | P | LTR | DESCRIPTION | DATE | DWN | APVD |
| | | L | | REVISED PER ECO-15-008006 | 17NOV2015 | NK | MM |



- $\triangle 1$ THIS COVER IS TO BE USED IN PAIRS, WITH A DOUBLE ROW HOUSING. NUMBER OF POSITIONS INDICATED PERTAINS TO THE HOUSING.
- $\triangle 2$ THESE VIEWS APPLY TO -1 AND -2 ONLY.



| | | | | | |
|----------|---------------|---------------|----|------------------------------------|-----------------------|
| OBSOLETE | 91.44 [3.600] | 88.90 [3.500] | 35 | 72 | 3-102396-4 |
| OBSOLETE | 88.90 [3.500] | 86.36 [3.400] | 34 | 70 | 3-102396-3 |
| OBSOLETE | 86.36 [3.400] | 83.82 [3.300] | 33 | 68 | 3-102396-2 |
| OBSOLETE | 83.82 [3.300] | 81.28 [3.200] | 32 | 66 | 3-102396-1 |
| | 81.28 [3.200] | 78.74 [3.100] | 31 | 64 | 3-102396-0 |
| OBSOLETE | 78.74 [3.100] | 76.20 [3.000] | 30 | 62 | 2-102396-9 |
| | 76.20 [3.000] | 73.66 [2.900] | 29 | 60 | 2-102396-8 |
| OBSOLETE | 73.66 [2.900] | 71.12 [2.800] | 28 | 58 | 2-102396-7 |
| OBSOLETE | 71.12 [2.800] | 68.58 [2.700] | 27 | 56 | 2-102396-6 |
| OBSOLETE | 68.58 [2.700] | 66.04 [2.600] | 26 | 54 | 2-102396-5 |
| OBSOLETE | 66.04 [2.600] | 63.50 [2.500] | 25 | 52 | 2-102396-4 |
| | 63.50 [2.500] | 60.96 [2.400] | 24 | 50 | 2-102396-3 |
| OBSOLETE | 60.96 [2.400] | 58.42 [2.300] | 23 | 48 | 2-102396-2 |
| OBSOLETE | 58.42 [2.300] | 55.88 [2.200] | 22 | 46 | 2-102396-1 |
| OBSOLETE | 55.88 [2.200] | 53.34 [2.100] | 21 | 44 | 2-102396-0 |
| OBSOLETE | 53.34 [2.100] | 50.80 [2.000] | 20 | 42 | 1-102396-9 |
| | 50.80 [2.000] | 48.26 [1.900] | 19 | 40 | 1-102396-8 |
| OBSOLETE | 48.26 [1.900] | 45.72 [1.800] | 18 | 38 | 1-102396-7 |
| OBSOLETE | 45.72 [1.800] | 43.18 [1.700] | 17 | 36 | 1-102396-6 |
| | 43.18 [1.700] | 40.64 [1.600] | 16 | 34 | 1-102396-5 |
| | 40.64 [1.600] | 38.10 [1.500] | 15 | 32 | 1-102396-4 |
| | 38.10 [1.500] | 35.56 [1.400] | 14 | 30 | 1-102396-3 |
| | 35.56 [1.400] | 33.02 [1.300] | 13 | 28 | 1-102396-2 |
| | 33.02 [1.300] | 30.48 [1.200] | 12 | 26 | 1-102396-1 |
| | 30.48 [1.200] | 27.94 [1.100] | 11 | 24 | 1-102396-0 |
| | 27.94 [1.100] | 25.40 [1.000] | 10 | 22 | 102396-9 |
| | 25.40 [1.000] | 22.86 [.900] | 9 | 20 | 102396-8 |
| | 22.86 [.900] | 20.32 [.800] | 8 | 18 | 102396-7 |
| | 20.32 [.800] | 17.78 [.700] | 7 | 16 | 102396-6 |
| | 17.78 [.700] | 15.24 [.600] | 6 | 14 | 102396-5 |
| | 15.24 [.600] | 12.70 [.500] | 5 | 12 | 102396-4 |
| | 12.70 [.500] | 10.16 [.400] | 4 | 10 | 102396-3 |
| | 10.16 [.400] | 7.62 [.300] | 3 | 8 | 102396-2 |
| | 7.62 [.300] | 5.08 [.200] | 2 | 6 | 102396-1 |
| | C | B | A | REF $\triangle 1$ NO OF POSN | PART NUMBER |

THIS DRAWING IS A CONTROLLED DOCUMENT.

| | | | | | | |
|--|---|-------------|--------------|--------------------|------------------------|--------------------|
| DWN E. BRANDBERG 13SEP94 | TE Connectivity | | | | | |
| CHK J. HERRINGTON 13SEP94 | | | | | | |
| APVD J. HERRINGTON 13SEP94 | | | | | | |
| PRODUCT SPEC | | | | | | |
| APPLICATION SPEC | NAME COVER MASS TERMINATION AMPMODU 2.54 [.100] CL | | | | | |
| MATERIAL FLAME RETARDANT THERMOPLASTIC, COLOR - BLACK | FINISH - | WEIGHT - | SIZE A2 | CAGE CODE 00779 | DRAWING NO C=102396 | RESTRICTED TO - |
| CUSTOMER DRAWING | | | SCALE 5:1 | SHEET 1 of 1 | REV L | |

Mouser Electronics

Authorized Distributor

Click to View Pricing, Inventory, Delivery & Lifecycle Information:

[TE Connectivity:](#)

[102396-1](#)