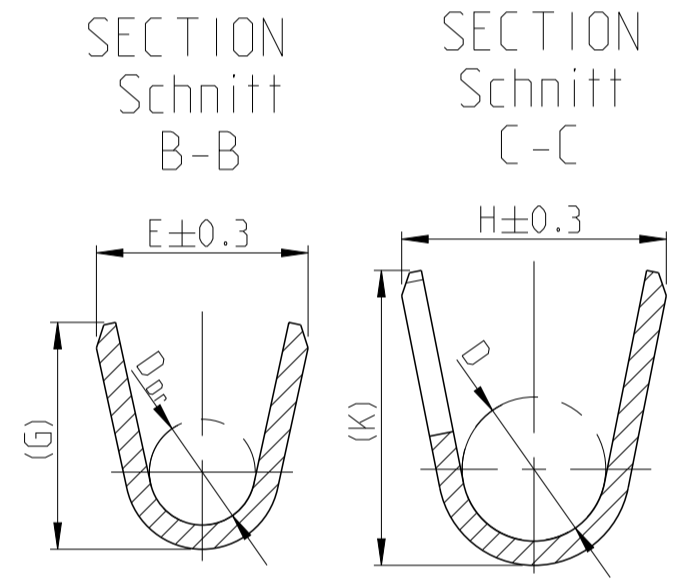
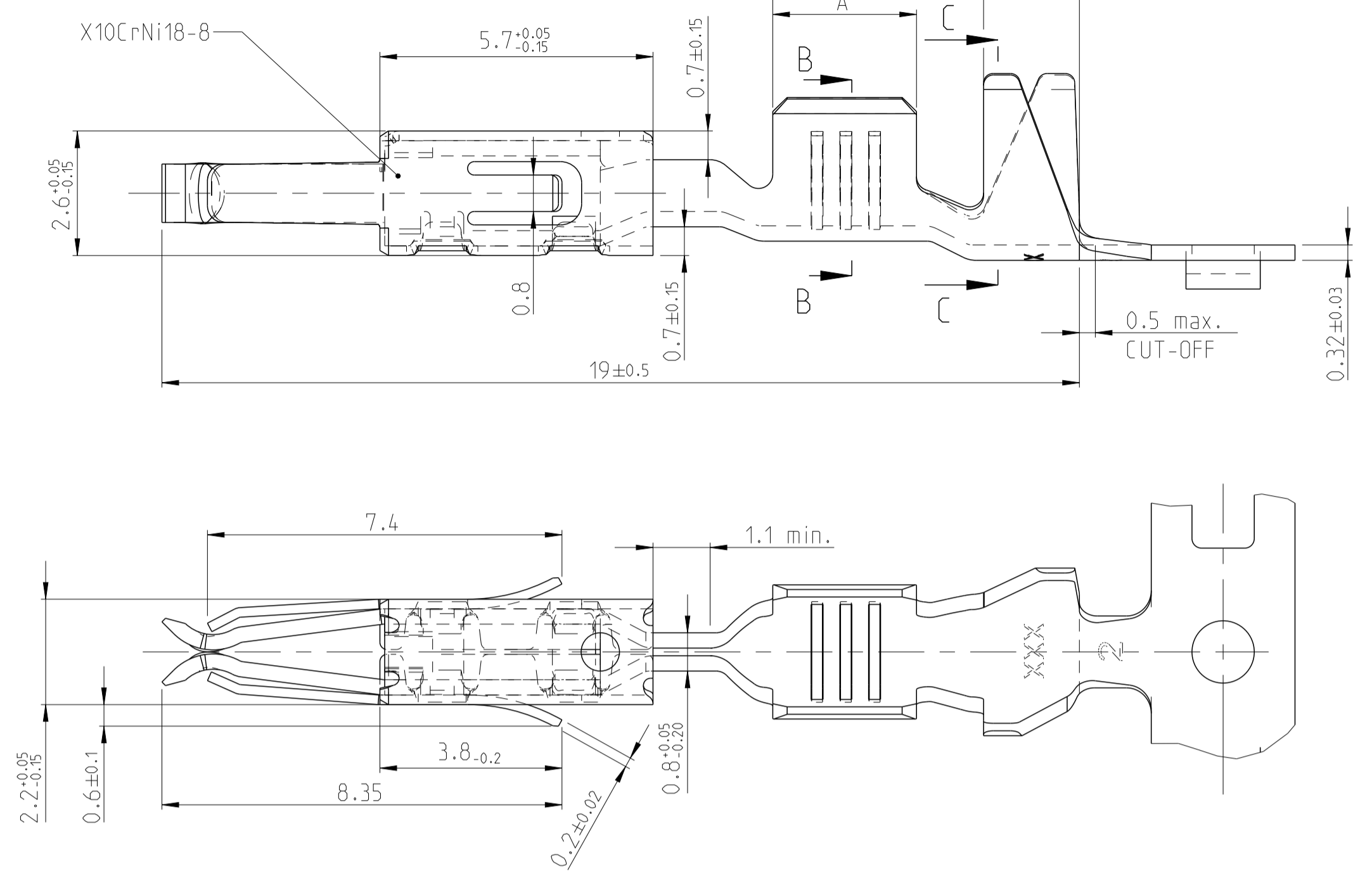
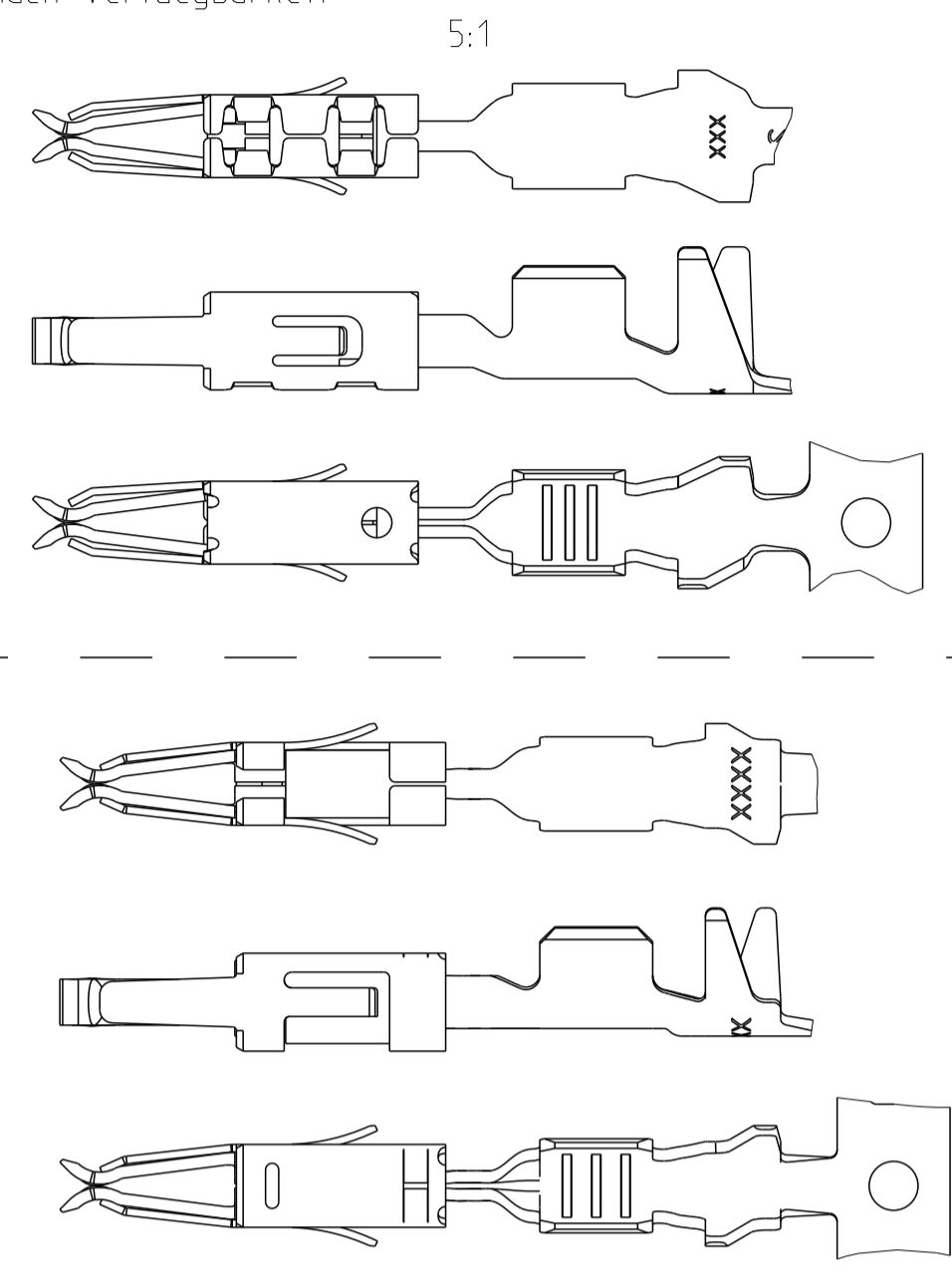


DESIGN 1
Ausführung 1

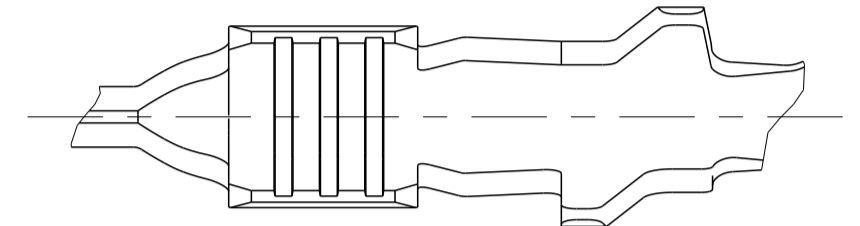
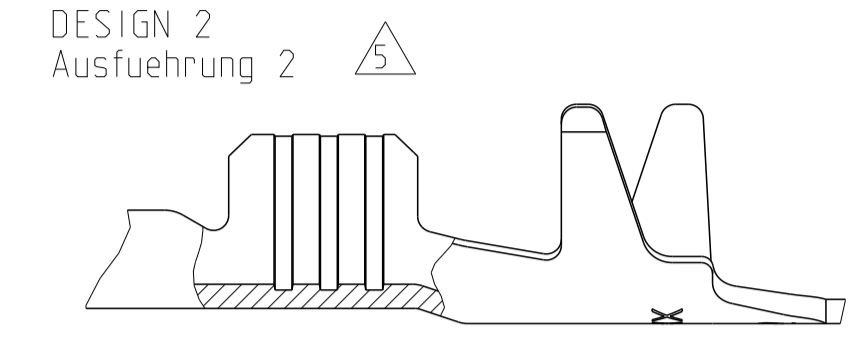


SPRING / Ueberfeder

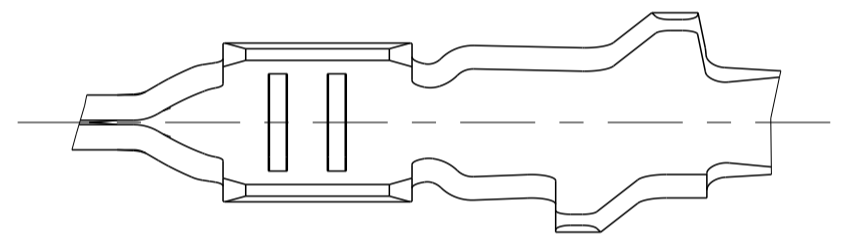
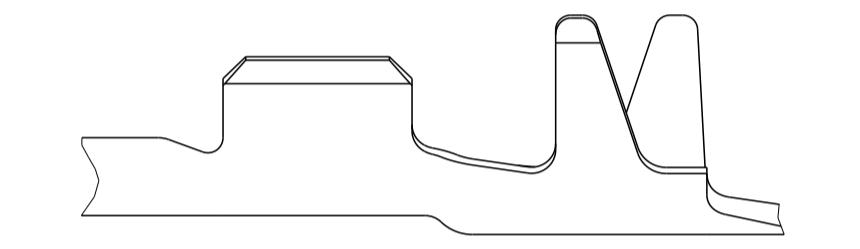
DIFFERENT TOOL DETAILS
 Verschiedene Werkzeugausfuehrungen
 FUNCTION AND HANDLING WITH
 ALL DETAILS CONTINUOUSLY
 Funktion und Handhabung
 bei allen Ausfuehrungen gleich
 SUPPLY BASED ON AVAILABILITY
 Lieferung nach Veruegbarkeit



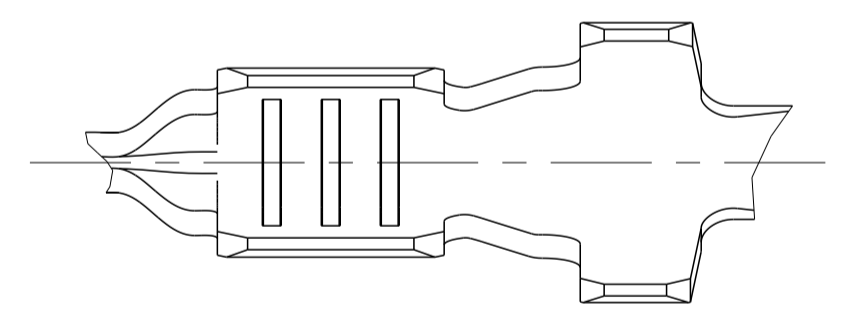
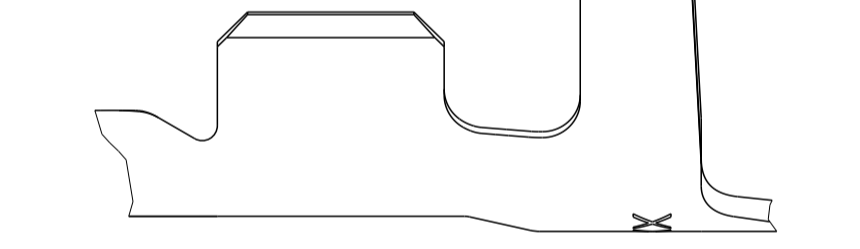
FLR-WIRE
FLR-Leitung



DESIGN 3
Ausfuehrung 3



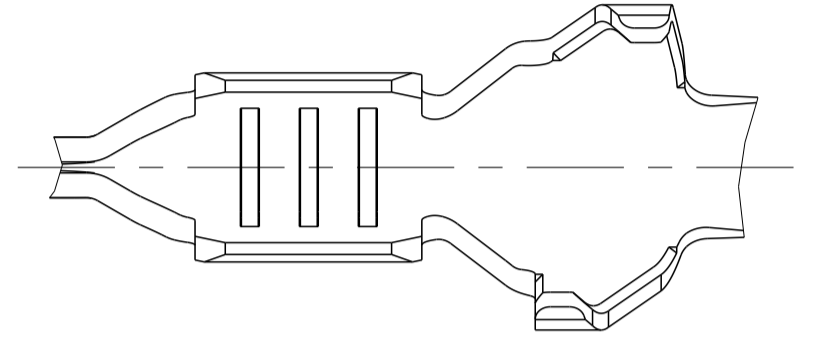
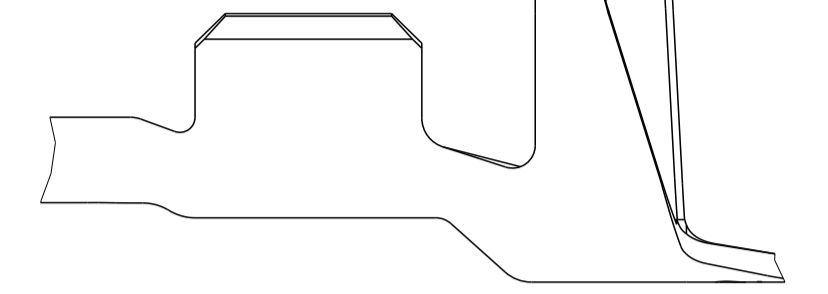
DESIGN 4
Ausfuehrung 4



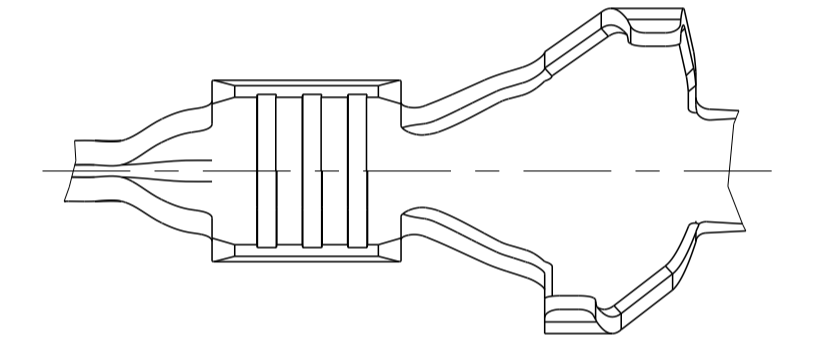
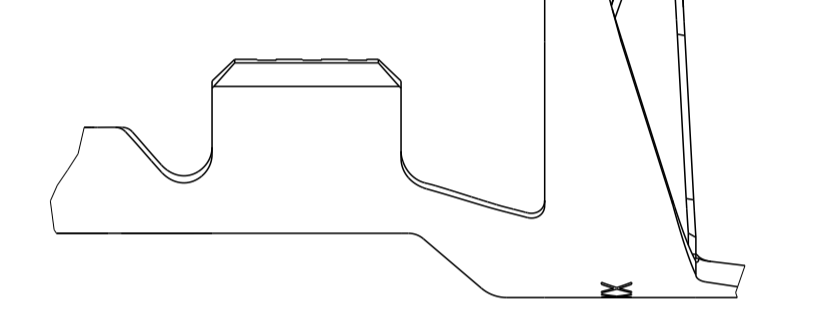
REVISIONS					
P.	LTN	DESCRIPTION	DATE	DMN	APVD
B9		New Creo drawing created and PN's obsolete	16APR2016	Hornika	M. Eder
B10		964274-8 and 2141902-8 added	12FEB2015	Mahrle	Schm.
B11		ADD PRODUCT WEIGHT	10JUN2016	Hornika	Schm.
B12		DRAWING VIEW CORRECTED	17JUN2016	HD	SCH

FLR- AND FLK-CABLE
FLR- und FLK- Leitung

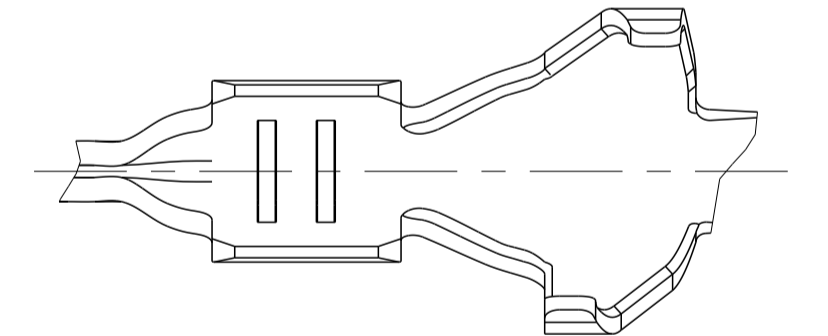
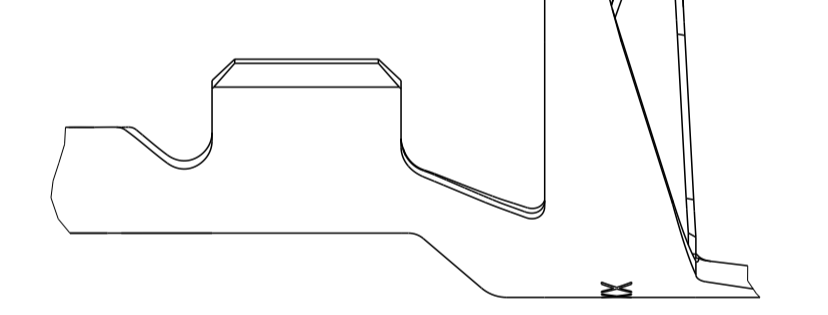
DESIGN 5
Ausfuehrung 5



DESIGN 6
Ausfuehrung 6



DESIGN 7
Ausfuehrung 7

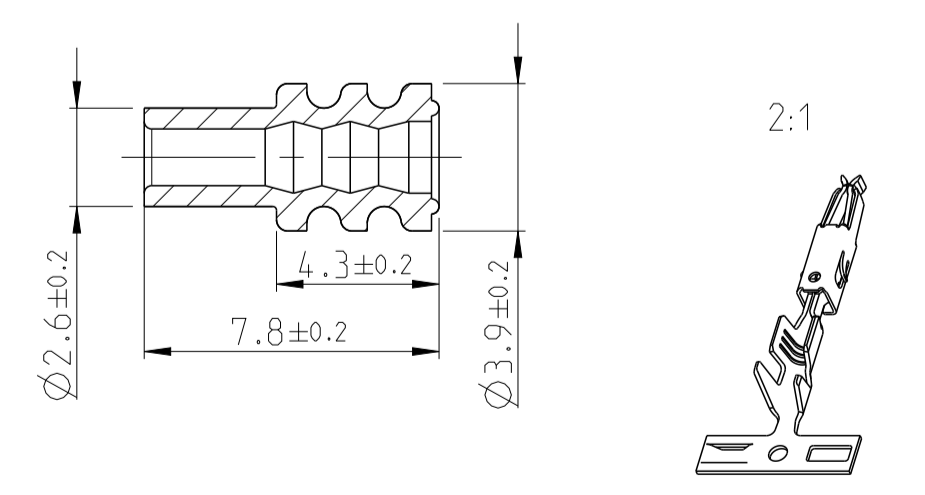


SINGLE WIRE SEAL/ Einzelichtungssystem	REV.	DESIGN Ausfuehrung	MATERIAL Oberflaeche	SURFACE Oberflaeche	WIRE RANGE Drahtgroessen Bereich [mm²]	INSULATION Isolations Ø [mm]	STRIP FORM Drahtcrimp			A	B	C	CRIMP DATA AND CRIMP TOOL Crimpdata u. Crimpwerkzeuge
							INSUL.-CRIMP Iso.-Crimp Bandware	CRIMP DIMENSION mm Crimpabmessungen mm					
UNSCALED/ ungedichtet	4-964274-1	E	CuNiSi	PRETINNED vorverzinkt	0.5-1.0	1.4-2.1	E = 2.5 G = 2.7 D _{Dr} = 1.2	H = 4.3 K = 4.8 D = 2.7	3.0	4.4	6.4	SEE APPLICATION - SPECIFICATION siehe Verarbeitungsspezifikation 114-18081	
	964274-8	A	CuFe 2	SILVER PLATED versilbert	0.35	1.2-1.3	E = 2.4 G = 2.3 D _{Dr} = 1.0	H = 4.3 K = 4.8 D = 2.6	2.5	4.4	6.4		
	964274-3	E	CuSn 4	PRETINNED vorverzinkt									
	964274-2	E	CuFe 2	SILVER PLATED versilbert									
	2141902-8	A	6	CuFe 2	SILVER PLATED versilbert	0.2-0.5	1.15-1.6	E = 2.1 G = 2.1 D _{Dr} = 0.8	H = 4.3 K = 4.8 D = 2.6	2.5	4.4		6.4
	2141902-3	A	CuSn 4	PRETINNED vorverzinkt									
	2141902-2	A	CuFe 2	PRETINNED vorverzinkt									
	4-969005-1	F	7	CuNiSi	PRETINNED vorverzinkt	1.5	2.2-2.4	E = 2.8 G = 3.0 D _{Dr} = 1.4	H = 3.5 K = 3.9 D = 1.9	3.0	4.4		6.4
	969005-3	F	CuSn 4	PRETINNED vorverzinkt									
969005-2	F	CuFe 2	PRETINNED vorverzinkt										
UNSCALED/ ungedichtet	1241844-2	A	1	CuFe 2	PRETINNED vorverzinkt	0.5-1.0	1.4-2.1	E = 2.5 G = 2.7 D _{Dr} = 1.2	H = 3.7 K = 3.9 D = 1.8	3.0	4.6	6.2	
	964348-2	C	4	CuFe 2	PRETINNED vorverzinkt								
	964263-3	D	1	CuSn 4	PRETINNED vorverzinkt								
	964263-2	D	1	CuFe 2	PRETINNED vorverzinkt	0.35	1.2-1.3	E = 2.4 G = 2.3 D _{Dr} = 1.0	H = 2.9 K = 2.9 D = 1.4	2.5	4.4	6.4	
	2141900-3	A	2	CuSn 4	PRETINNED vorverzinkt								
	2141900-2	A	2	CuFe 2	PRETINNED vorverzinkt								
	4-964261-1	D	3	CuNiSi	PRETINNED vorverzinkt	0.2-0.5	1.15-1.6	E = 2.1 G = 2.1 D _{Dr} = 0.8	H = 2.9 K = 2.9 D = 1.4	2.5	4.4	6.4	
	964261-3	D	3	CuSn 4	PRETINNED vorverzinkt								
	964261-2	D	3	CuFe 2	PRETINNED vorverzinkt								

NOTES
Bemerkungen

- 1 BODY ELECTRO TIN PLATED OVER NICKEL 0.2 µm min.
Kontaktkoerper gal. verzinkt ueber Nickel 0.2 µm min.
CONTACT AREA SELECTIV GOLD OVER NICKEL 0.8 µm min.
Kontaktzone selectiv vergoldet ueber Nickel 0.8 µm min.
WIRE CRIMP AREA ELECTRO TIN PLATED OVER NICKEL 1 µm min.
Drahtcrimpbereich gal. verzinkt ueber Nickel 1 µm min.
- 2 FOR DOUBLE- AND SINGLE TERMINATION
Fuer Doppel- und Einzelanschlaege
- 3 ACCORDING TO INSULATION DIA IS TO CHOOSE THE SINGLE WIRE SEAL
Entsprechend dem Isolationsdurchmesser ist die Einzel-Dichtung auszuwaehlen
- 4 BODY ELECTRO TIN PLATED OVER NICKEL 0.2µm min.
Kontaktkoerper gal. verzinkt ueber Nickel 0.2µm min.
CONTACT AREA SELECTIV GOLD OVER NICKEL 0.8µm min.
Kontaktzone selectiv vergoldet ueber Nickel 0.8µm min.
WIRE CRIMP AREA ELECTRO TIN PLATED 1µm min.
Drahtcrimpbereich gal. verzinkt
- 5 SERRATIONS OVER THE WHOLE WIDTH OF THE WIRE CRIMP AREA
Rillen ueber die ganze Breite des Drahtcrimpbereiches

SINGLE WIRE SEAL Einzel-Dichtung		
964972-1	1.9-2.1	YELLOW gelb
963530-1	1.4-1.9	GREY grau
964971-1	1.2-1.6	RED rot
ORDER No. Bestell-Nr.	INSULATION Ø Isolations Ø	COLOUR Farbe



THIS DRAWING IS A CONTROLLED DOCUMENT.

DIMENSIONS: mm	TOLERANCES UNLESS OTHERWISE SPECIFIED: ±0.2	DMN M. Preilschlitz	18AUG2000	TE Connectivity NAME PRODUCT GROUP DRAWING FOR MICRO TIMER 2 CONTACT TYPE A Produkt-Gruppen-Zeichnung fuer Micro Timer II
MATERIAL	FINISH	CHK V. Huhn	16NOV2001	
APPLICATION SPEC 114-18081		APVD M. Bleicher	18AUG2000	SIZE CAGE CODE DRAWING NO A1 - C=1355045
WEIGHT 0.3g		Customer Drawing		SCALE 5:1 SHEET 1 OF 1 REV B12

Mouser Electronics

Authorized Distributor

Click to View Pricing, Inventory, Delivery & Lifecycle Information:

[TE Connectivity:](#)

[4-969005-1](#) [969005-3 \(Loose Piece\)](#) [969005-2 \(Loose Piece\)](#)