

Molded Parts Specification Control Drawing

Part Number : 202K121 thru 153-X-01
Description : Boot, Straight With Lip

NOTES

- All dimensions are in inches [millimeters]
- Dimensions appearing in table are as follows:
a - As Supplied
b - After Unrestricted Recovery
- Coating is optional. As supplied dimensions appearing in table are for uncoated parts. When coating is added, entry diameters will be reduced by .06 max.
- Parts made from -12 material will not have eyelet feature.
- If eyelet clip (000W212) is required with part then add CS-1858 to description (i.e. 202K121-3-0-CS-1858).

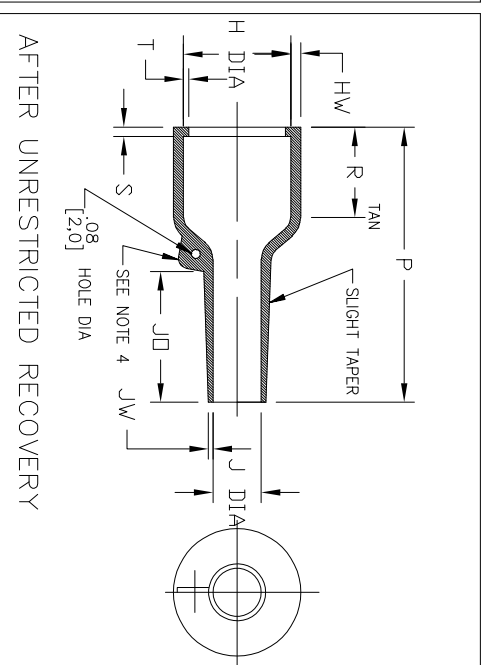
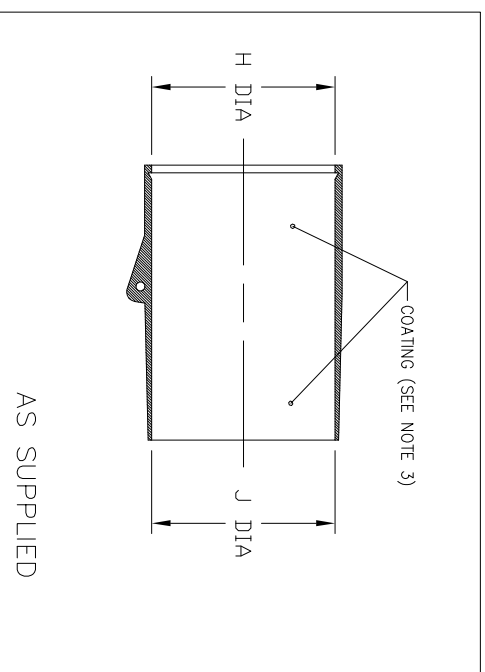


TABLE OF DIMENSIONS

PART NUMBER	H		J		P ±10%	R ±10%	S ±10%	T ±10%	JO ±10%	HW ±20%	JW Min b
	Min a	Max b	Min a	Min a							
202K121-X-01	.95 [24.0]	.41 [10.4]	.95 [24.0]	.51 [13.0]	±1.02 [26.0]	.35 [9.0]	.12 [3.0]	.04 [1.0]	.33 [8.5]	.06 [1.6]	.016 [0.41]
202K132-X-01	1.18 [30.0]	.56 [14.2]	1.18 [30.0]	.55 [14.0]	1.69 [43.0]	.79 [20.0]	.12 [3.0]	.04 [1.0]	.45 [11.5]	.07 [1.8]	.032 [0.81]
202K142-X-01	1.22 [31.0]	.71 [18.0]	1.22 [31.0]	.63 [16.0]	1.85 [47.0]	.59 [15.0]	.12 [3.0]	.04 [1.0]	.67 [17.0]	.07 [1.8]	.032 [0.81]
202K153-X-01	1.42 [36.0]	.88 [22.4]	1.42 [36.0]	.75 [19.0]	2.36 [60.0]	.87 [22.0]	.12 [3.0]	.04 [1.0]	.76 [19.5]	.08 [2.0]	.032 [0.81]

STE
TE Connectivity
300 CONSTITUTION DRIVE
MENLO PARK, CALIFORNIA 94025

Revision : L1
Date : 07MAR11

Part Number : 202K121 thru 153-X-01
Description : Boot, Straight With Lip

Molded Parts Specification Control Drawing

Part Number : 202K121 thru 153-X-01
Description : Boot, Straight with Lip

COMPATABILITY CHART			
MATERIAL DASH NO.	MATERIAL DESCRIPTION	RT SPEC	COATING SLASH NO.
-3	Polyolefin, Semi-rigid	RT-301	/42,/86,/87
-4	Polyolefin, Flexible	RT-1304	/42,/86,/87,/180
-12	*VITON, Flexible	RT-1312	
-25	Elastomer, Fluid Resistant	RT-1325	/42,/86,/87
-100	Polyolefin, Semi-flexible ZEROHAL™	RT-1323	/86,/180,/184

*VITON is a Registered Trademark of Dupont

ORDERING INFORMATION

Base part number 202K1XX -X -01 /XX
Material dash number _____
(See Compatibility Chart)
Modification number _____
(If necessary, see front of scd binder
for a complete list)
Adhesive slash number _____
(If necessary, see Compatibility Chart)

THIS DRAWING IS SUBJECT TO CHANGE WITHOUT NOTICE: CONSULT YOUR
NEAREST FIELD REPRESENTATIVE FOR CURRENT REVISION

STE
TE Connectivity
300 CONSTITUTION DRIVE
MENLO PARK, CALIFORNIA 94025

Revision : L1
Date : 07MAR11

Part Number : 202K121 thru 153-X-01
Description : Boot, Straight With Lip

Mouser Electronics

Authorized Distributor

Click to View Pricing, Inventory, Delivery & Lifecycle Information:

[TE Connectivity:](#)

[202K121-25-01-0](#)