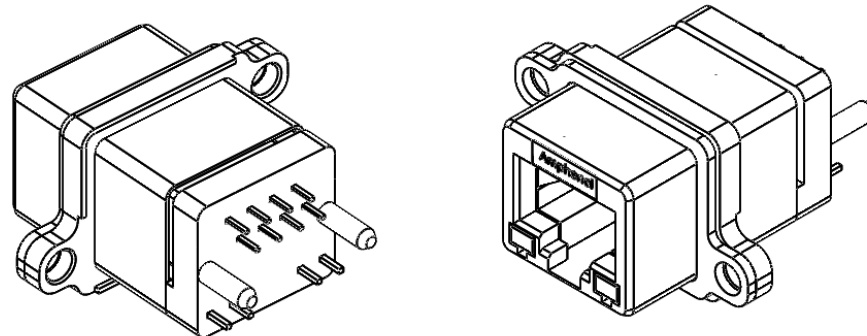
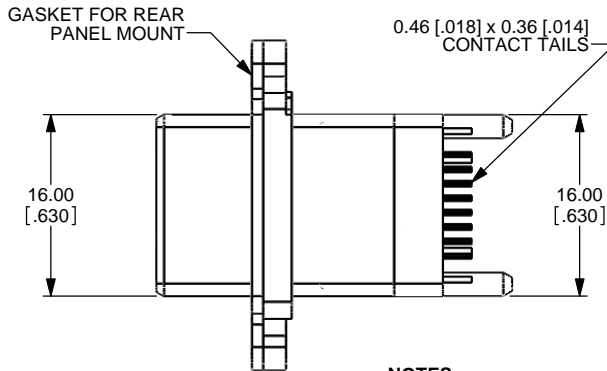


REVISIONS			
REV	DESCRIPTION, ECN, EAR NO.	DATE	APP'D
A	PRODUCT DRAWING (EAR 13915)	JUL20/11	K.L.

**ORDERING CODE: MRJ-548X-XB**

- SERIES, RUGGED RJ
- RECEPTACLE
- VERTICAL MOUNT
- NUMBER OF CONTACTS
- LED OPTION
  - 0=NONE
  - 1=GREEN LEFT, YELLOW RIGHT
  - 4=YELLOW LEFT, GREEN RIGHT
  - 5=GREEN LEFT, GREEN RIGHT
- CONTACT TAIL OPTION
  - 0=TAIL LENGTH A=2.54 [.100]
  - B=TAIL LENGTH A=3.81 [.150]
- SINGLE PORT WITH GASKET FOR REAR PANEL MOUNT

**SPECIAL CONNECTORS:**  
MANY UNIQUE FEATURES ARE READILY AVAILABLE TO SUIT CUSTOMER REQUIREMENTS. CONSULT WITH AMPHENOL CANADA FOR DETAILS



**NOTES:**

- MATERIAL:**  
ALL MATERIALS ARE RoHS COMPLIANT PER EU DIRECTIVE 2002/95/EC AND AMENDMENTS
  - SHELL - DIECAST ZINC, NICKEL PLATED
  - CONTACTS - PHOSPHOR BRONZE WITH 50 MICROINCHES (1.27 MICRONS) GOLD OVER 50 MICROINCHES (1.27 MICRONS) MINIMUM NICKEL ON THE MATING AREA AND MATTE TIN OVER NICKEL ON THE CONTACT TAILS.
  - INSERTS - ENGINEERING THERMOPLASTIC, UL FLAMMABILITY RATING 94V-0, REAR INSERTS: BLACK NYLON, FRONT INSERT: CLEAR POLYCARBONATE.
  - GASKET - SILICONE RUBBER
  - LED'S - EPOXY LENS, STEEL TAILS WITH TIN PLATING
- ENVIRONMENTAL PERFORMANCE PER IEC 60529 CODE IP67 FOR SEAL BETWEEN MATING AREA AND PCB SIDE OF CONNECTOR. GASKET PROVIDES FOR SEAL TO INSIDE FACE OF PANEL.
- CURRENT RATING: 1.5 AMPERES.
- CONTACT RESISTANCE: 30 MILLIOHMS MAXIMUM.
- OPERATING TEMPERATURE: -40 °C TO +105 °C.
- AVAILABLE MATING ANGLE COVERS PROVIDE ADDED PROTECTION. CONSULT WITH AMPHENOL CANADA FOR DETAILS.
- CUSTOMER TO VERIFY THAT ANY PROCESS CLEANERS USED ARE COMPATIBLE WITH POLYCARBONATE MATERIAL.

UNLESS SPECIFIED OTHERWISE	DRAWN	M.SHAH	JUL20/11
PRIMARY UNITS MILLIMETERS	CHECKED		
SECONDARY INCHES	M.E. APP'D		
REFERENCE IN PARENTHESES	Q.A. APP'D		
GENERAL TOLERANCES	DWG APPR.	K.LAMBIE	JUL20/11
1 DECIMAL PLACE	ENG. REL. NO.		
2 DECIMAL PLACES	REF.		
3 DECIMAL PLACES	THIRD ANGLE PROJECTION		
ANGULAR DEGREES	DO NOT SCALE DRAWING		

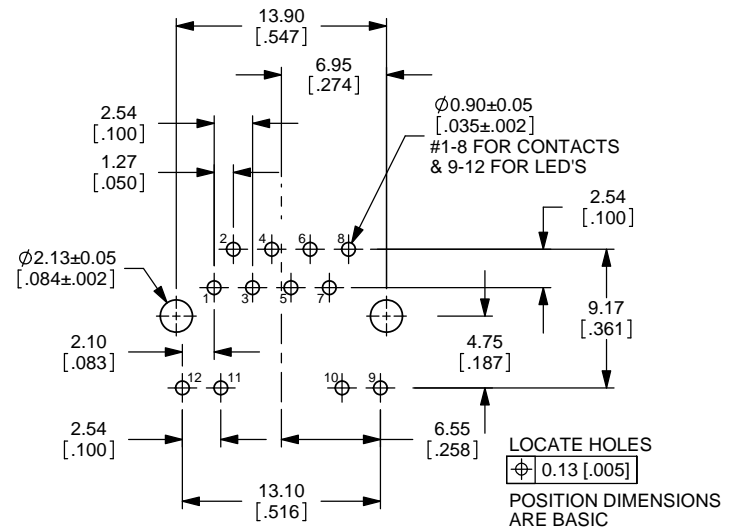
**Amphenol Canada Corp.**  
www.amphenolcanada.com

**MRJ SERIES RUGGED MODULAR JACK, 8 POSITION VERTICAL, LED AND TAIL LENGTH OPTIONS, REAR PANEL MOUNT, RoHS COMPLIANT**

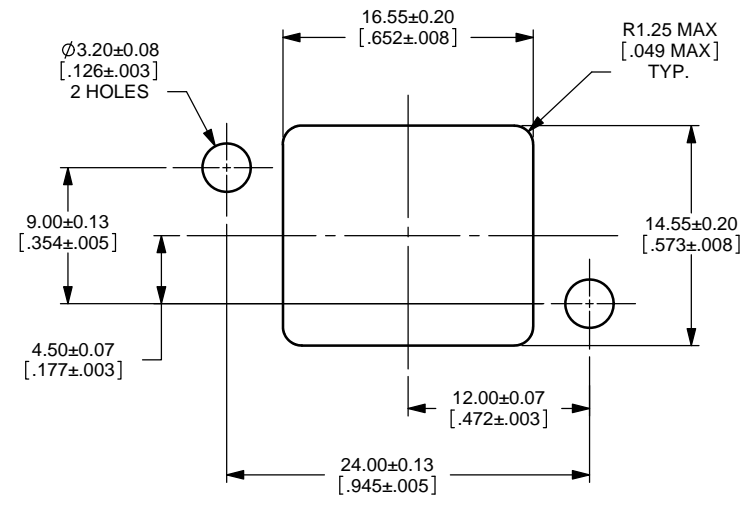
DWG. NO. **P-MRJ-548X-XB** REV **A**

CODE ID NO. 03554 DWG SIZE: X SCALE: 3:1 SHEET 1 OF 2

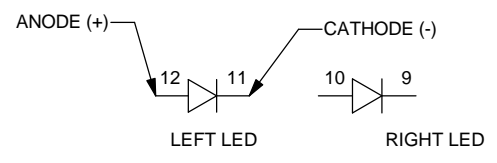
REVISIONS			
REV	DESCRIPTION, ECN, EAR NO.	DATE	APP'D
A	PRODUCT DRAWING (EAR 13915)	JUL20/11	K.L.



**RECOMMENDED P.C.B. LAYOUT**  
(COMPONENT SIDE OF BOARD)



**RECOMMENDED PANEL CUTOUT**  
(FRONT OF PANEL)



**LED SCHEMATIC**  
(GREEN OR YELLOW)



UNLESS SPECIFIED OTHERWISE	DRAWN	M.SHAH	JUL20/11
PRIMARY UNITS MILLIMETERS	CHECKED		
SECONDARY UNITS INCHES	M.E. APP'D		
REFERENCE IN PARENTHESES	Q.A. APP'D		
GENERAL TOLERANCES	DWG APPR.	K.LAMBIE	JUL20/11
1 DECIMAL PLACE	ENG. REL. NO.		
2 DECIMAL PLACES	REF.		
3 DECIMAL PLACES	THIRD ANGLE PROJECTION		
ANGULAR DEGREES	DO NOT SCALE DRAWING		

**Amphenol Canada Corp.**  
www.amphenolcanada.com

**MRJ SERIES RUGGED MODULAR JACK, 8 POSITION VERTICAL, LED AND TAIL LENGTH OPTIONS, REAR PANEL MOUNT, RoHS COMPLIANT**

DWG. NO. **P-MRJ-548X-XB** REV **A**

CODE ID NO. 03554 DWG SIZE: X SCALE: 4:1 SHEET 2 OF 2