

4

3

2

1

THIS DRAWING IS UNPUBLISHED.

RELEASED FOR PUBLICATION

-- --

© COPYRIGHT - By -

ALL RIGHTS RESERVED.

LOC  
ES 00

REVISIONS

P	LTR	DESCRIPTION	DATE	DWN	APVD
	C1	REVISED PERECR-14-003969	08DEC14	T.Q	W.H

(AS SHOWN : -6)

Top view of the connector assembly. Dimensions include: 1.75, ±0.1, 4.0, ±0.1, PITCH ±0.1, 12.0, ±0.1, 2.0 PITCH, 6.5, 4.3, 2.2, 1.2, "G" ∅1.5<sup>+0.1</sup>/<sub>-0</sub>, "H", A ±0.1, A/2, B, C ±0.1, D ±0.3, ±0.1, 1.75, "G".

SECT "G"- "G"

9P ONLY  
Top view of the 9P connector assembly. Dimensions include: 6.80, 2.20, 3.90, 1.20, ±0.1, 12.0 PITCH, ±0.1, 2.0 PITCH, 4.0, ∅1.5<sup>+0.1</sup>/<sub>-0</sub>, ±0.1, 1.75, 2.75, 3.65, 1.0, A ±0.1, A/2, ±0.1, 1.75, D ±0.3, C ±0.1, 1.0.

SECT "H"- "H"

Fig-1  
WINDING THE COVER TAPE AROUND THE OUTER PERIPHERY IN A TURN  
PEELING ANGLE, 165-180°  
15 HOLES  
WITHOUT CHARGE 300mm APPROX  
WITH PRODUCT CHARGE  
WITHOUT CHARGE 600mm APPROX

NOTES:

1. PEELING RESISTANCE: 0.196N(20gf)-0.686N(70gf)  
PEELING SPEED: 300mm/min

TOLERANCE UNLESS OTHERWISE SPECIFIED

10 > *	±0.2
30 > * > 10	±0.25
100 > * > 30	±0.3
ANGLE	±3°

THIS DRAWING IS A CONTROLLED DOCUMENT.

DWN JACK HOU 17SEP10

CHK MARTIN LI 17SEP10

APVD STEVEN YAO 17SEP10

PRODUCT SPEC

APPLICATION SPEC

WEIGHT

CUSTOMER DRAWING

TE Connectivity

ON TAPING (EMBOSS)  
TE CT CONNECTOR POST HEADER ASS'Y  
(BOX-V SMT W/BOSS & TAIL)

SIZE	CAGE CODE	DRAWING NO	RESTRICTED TO
A3	00779	C=292174	-

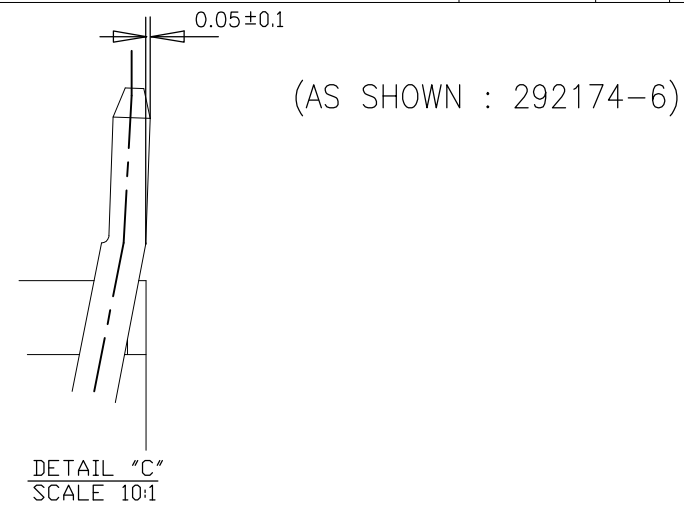
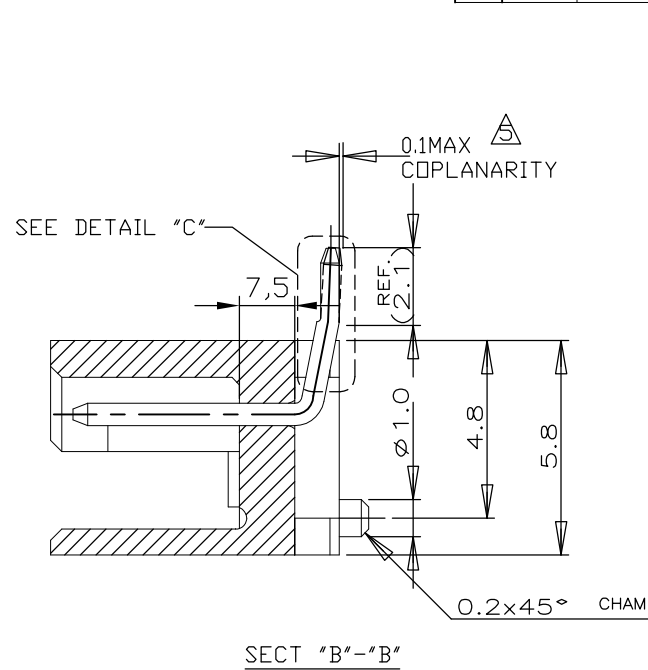
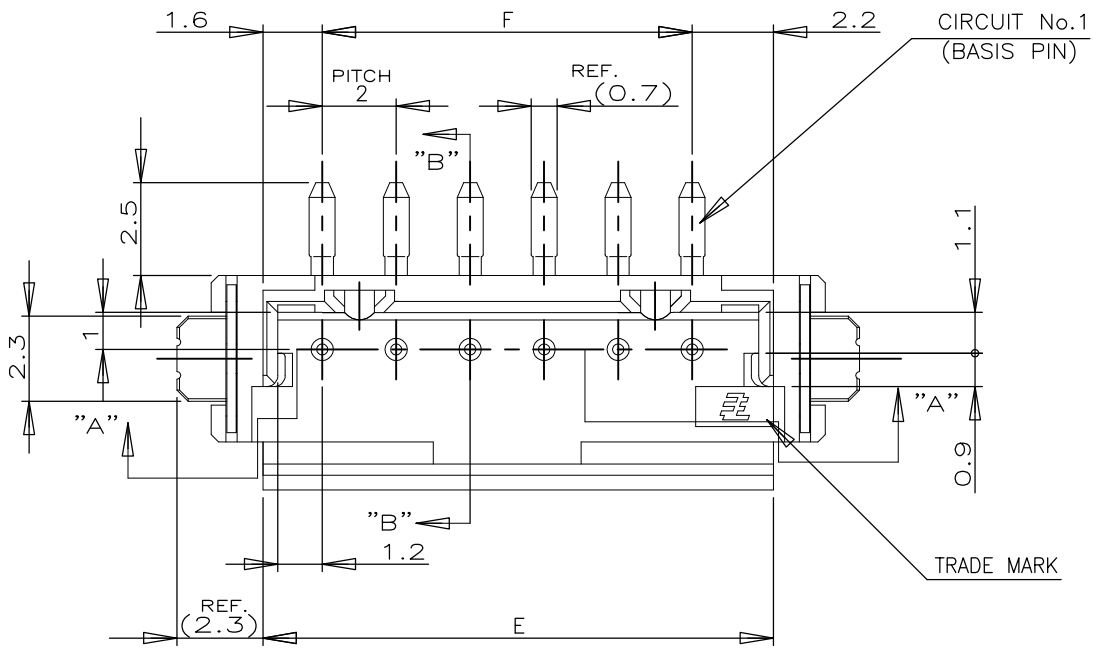
SCALE	SHEET	REV
1/1	1 OF 3	C1

1470-19 (3/11)

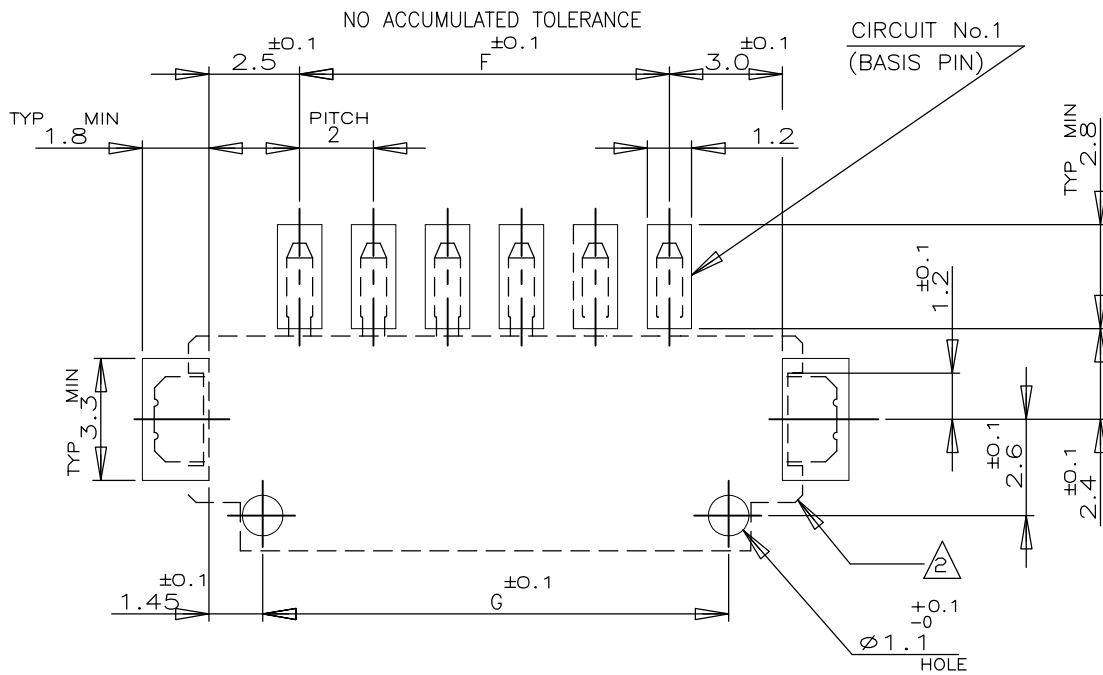
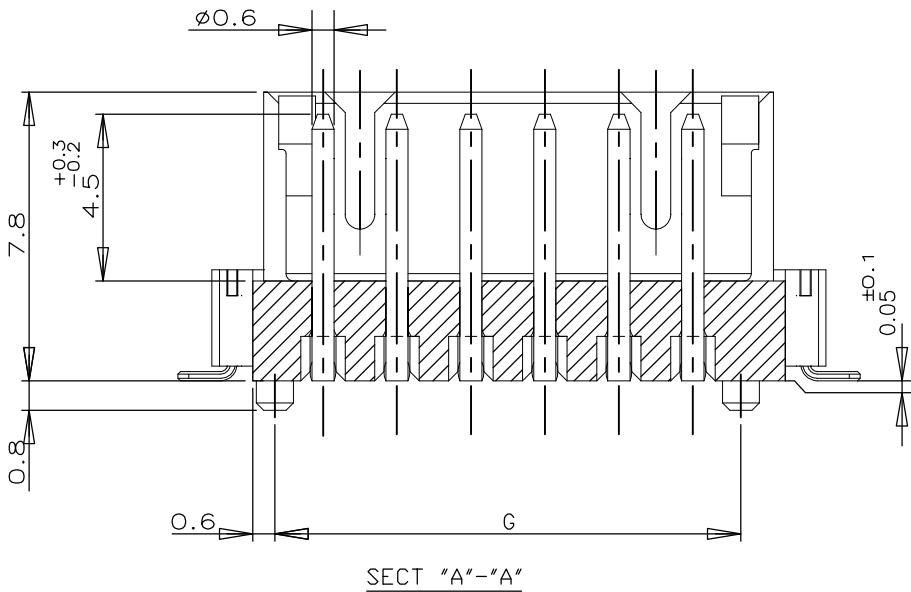


THIS DRAWING IS UNPUBLISHED. RELEASED FOR PUBLICATION  
 © COPYRIGHT - By - ALL RIGHTS RESERVED.

LOC	DIST	REVISIONS					
ES	00	P	LTR	DESCRIPTION	DATE	DWN	APVD
		-	-	SEE SHEET 1	-	-	-



- NOTES;
- MATERIAL:HSG:6T PA(G.F.30%)(UL94V-0)  
 COLOR:BLACK OR NATURAL  
 POST:TIN BRASS  
 TAIL:TIN BRASS
  - OCCUPANT AREA ON PC BOARD
  - PRODUCT SPEC :108-60016
  - △ TO BE MEASURED WITH CONNECTOR PLACED ON HORIZONTAL DATUM SURFACE,FLOAT OF SOLDER TINE AND TAIL FROM DATUM SURFACE IS 0.1mm MAX



12.6	10.0	13.8	6	292174-6
G	F	E	Pos.	NATURAL
				P/N

TOLERANCES UNLESS OTHERWISE SPECIFIED:

10**	: ±0.2
30**>10	: ±0.25
100**>30	: ±0.3
ANGEL	: ±3°

THIS DRAWING IS A CONTROLLED DOCUMENT.

DWN	JACK HOU	17SEP10	 TE Connectivity	NAME SMT TYPE POST HDR ASS'Y(V) WITH BOSS &WITH TAIL TYPE TE CT CONN. 2 mm PITCH		
CHK	MARTIN LI	17SEP10				
APVD	STEVEN YAO	17SEP10				
PRODUCT SPEC	SEE NOTE					
APPLICATION SPEC			SIZE	CAGE CODE	DRAWING NO	RESTRICTED TO
WEIGHT			A3	00779	C-292174	
CUSTOMER DRAWING			SCALE	5:1	SHEET	3 of 3
						REV
						C1

# Mouser Electronics

Authorized Distributor

Click to View Pricing, Inventory, Delivery & Lifecycle Information:

[TE Connectivity:](#)

[292174-2](#)