

# Thermofit Molded Parts Specification Control Drawing

Part Number : 322A514  
Description : Transition, 90°, Side Breakout, Thinwall

## NOTES

- All dimensions are in  $\frac{\text{inches}}{\text{millimeters}}$
- Dimensions appearing in table are as follows:  
a - As Supplied  
b - After Unrestricted Recovery
- Coating is optional. As supplied dimensions appearing in table are for uncoated parts. When coating is added, entry diameters will be reduced by .06 max.
- When molding parts are specified as -00 modification they will be located as shown.

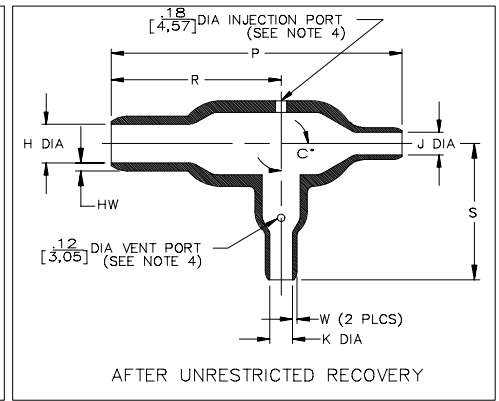
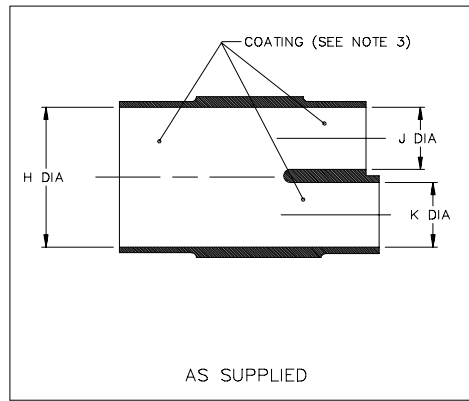


TABLE OF DIMENSIONS

PART NUMBER	H		J & K		P ±10% b	R ±10% b	S ±10% b	W ±20% b	HW ±20% b	C*	
	Min a	Max b	Min a	Max b						±10° a	±5° b
322A514	1.20 [30,5]	.60 [15,2]	.70 [17,8]	.35 [8,9]	3.20 [81,3]	1.87 [47,5]	1.50 [38,1]	.05 [1,27]	.09 [2,29]	15	90

## Raychem

RAYCHEM CORPORATION  
300 CONSTITUTION DRIVE  
MENLO PARK, CALIFORNIA 94025  
(415) 361-6055

Revision : C  
Date : 8/09/90

Part Number : 322A514  
Description : Transition, 90°, Side Breakout, Thinwall

CAD FILE MP90210

# Thermofit Molded Parts Specification Control Drawing

Part Number : 322A514  
Description : Transition, 90°, Side Breakout, Thinwall

COMPATABILITY CHART					
MATERIAL DASH NO.	MATERIAL DESCRIPTION	RT SPEC	COATING SLASH NO.	COATING S NO.	COATING DESCRIPTION
-3	Polyolefin, Semi-Rigid	RT-301	/42;/86	S-1017;S-1048	Adhesive
-4	Polyolefin, Flexible	RT-1304	/42;/86	S-1017;S-1048	Adhesive
-5	Neoprene	RT-501	N/A		
-6	Silicone	RT-602	N/A		
-25	Elastomer, Fluid Resistant	RT-1325	/86	S-1048	Adhesive
-52	Nuclear Molding Cmpd., Poly	RT-1508	N/A		

## ORDERING INFORMATION

322A514 -XX -XX /XXX

Base part number \_\_\_\_\_

Material dash number \_\_\_\_\_  
(See Compatability Chart)

Modification number \_\_\_\_\_  
(If necessary, see front of scd binder for a complete list)

Adhesive slash number \_\_\_\_\_  
(If necessary, see Compatability Chart)

THIS DRAWING IS SUBJECT TO CHANGE WITHOUT NOTICE; CONSULT YOUR NEAREST FIELD REPRESENTATIVE FOR CURRENT REVISION

If this document is printed it becomes uncontrolled.  
Check for the latest revision.

## Raychem

RAYCHEM CORPORATION  
300 CONSTITUTION DRIVE  
MENLO PARK, CALIFORNIA 94025  
(415) 361-6055

Revision : C  
Date : 8/09/90

Part Number : 322A514  
Description : Transition, 90°, Side Breakout, Thinwall

# Mouser Electronics

Authorized Distributor

Click to View Pricing, Inventory, Delivery & Lifecycle Information:

[TE Connectivity:](#)

[322A514-4/86-0-CS8241](#)