

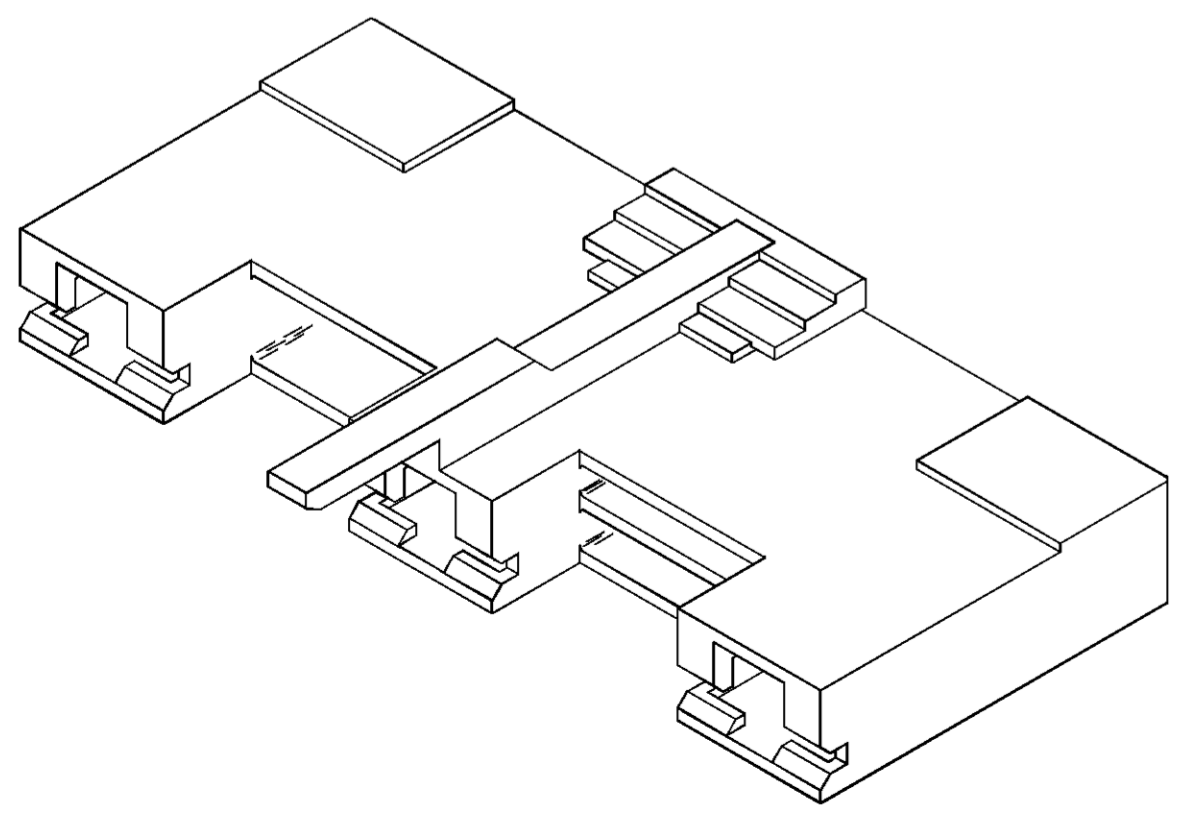
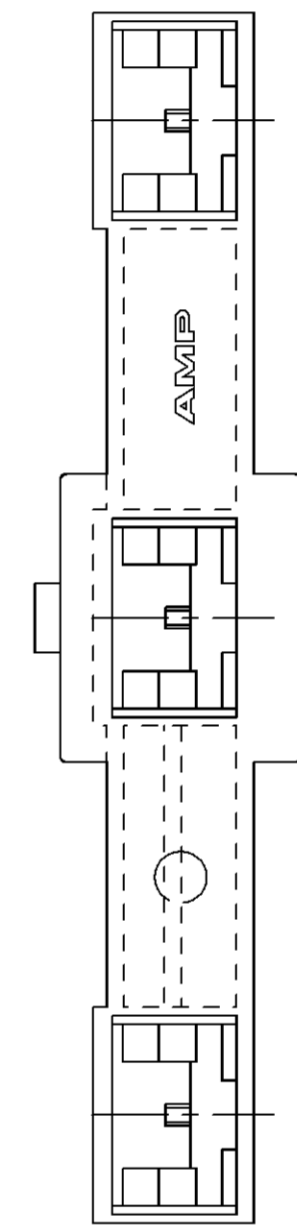
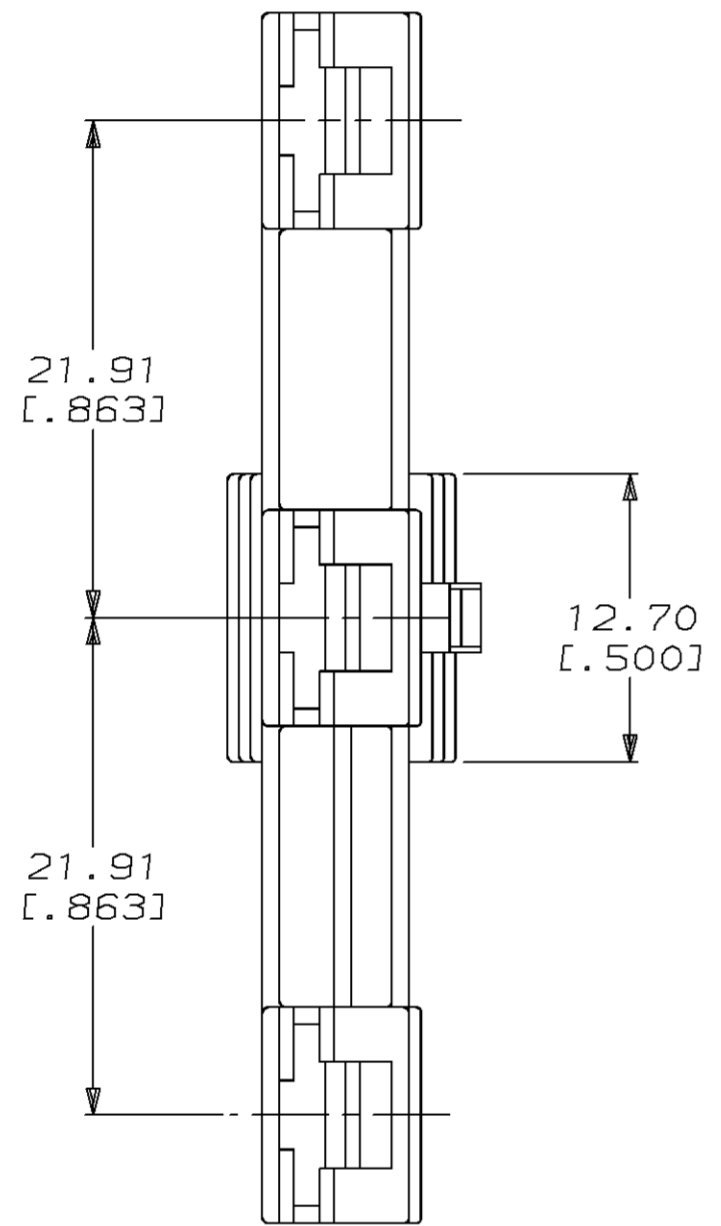
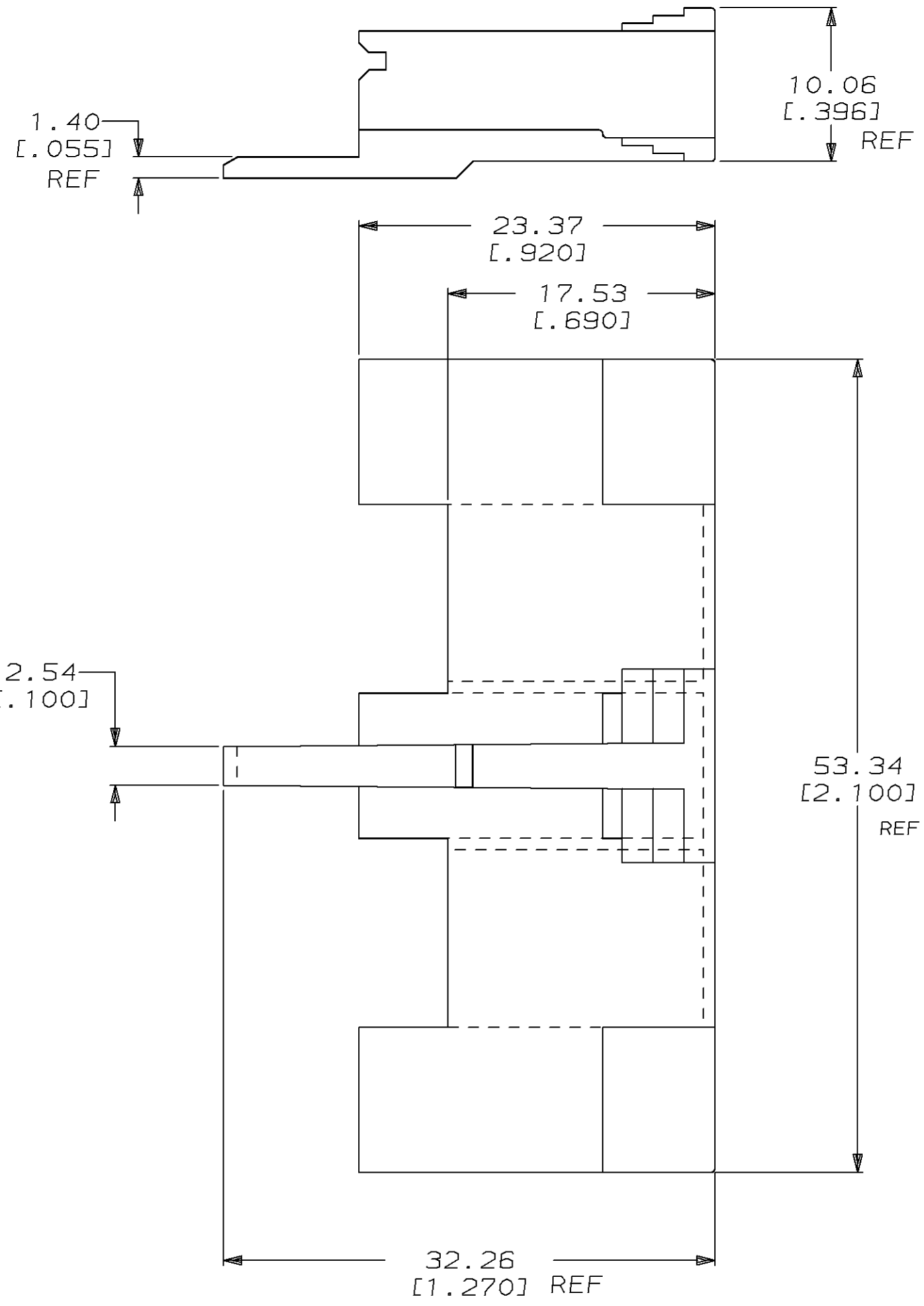
LOC		DIST		P		F		ZONE		LTR		REVISIONS		DATE	APPD
AF	50									A		REL -1 PER 0710-0645-94	1/9/95	JR/RB	

D

C

B

A



521067-1
PART NO

DO NOT SCALE PRINT. UNLESS SPECIFIED DIMENSIONS IN mm [INCHES] TOLERANCES ON : 2 PLC DEC ± 0.25 [.010] 3 PLC DEC ± - ANGLES ± -	DR 8/3/94 JR RUTH	AMP Incorporated Harrisburg, PA 17105-3608	NAME		
	CHK 8/3/94 MS FEHER		HOUSING, RECEPTACLE, FASTON,™ 6.35 [.250] SERIES		
MATERIAL 6/6 NYLON	APPD 8/3/94 R BEAVER	PRODUCT SPEC	SIZE	CAGE CODE	DRAWING NO
FINISH BLACK	APPD 8/3/94 R REINER	APPLICATION SPEC	C	00779	G=521067
	WEIGHT -		SCALE 4:1		SHEET 1 OF 1

THIS DRAWING IS A CONTROLLED DOCUMENT FOR AMP INCORPORATED. IT IS SUBJECT TO CHANGE AND THE CONTROLLING ENGINEERING ORGANIZATION SHOULD BE CONTACTED FOR THE LATEST REVISION.

Mouser Electronics

Authorized Distributor

Click to View Pricing, Inventory, Delivery & Lifecycle Information:

[TE Connectivity:](#)

[521067-1](#)