

PART NAME

HAND HAND BOX (STYLE L)

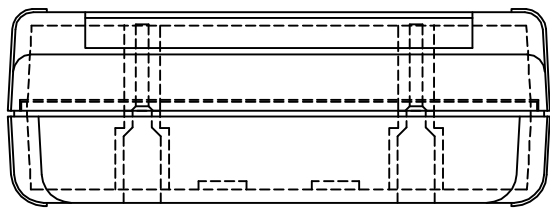
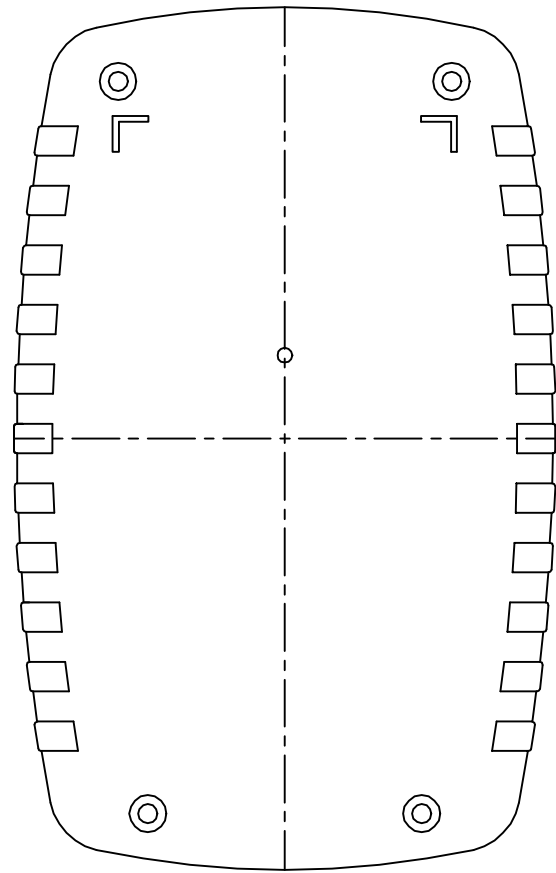
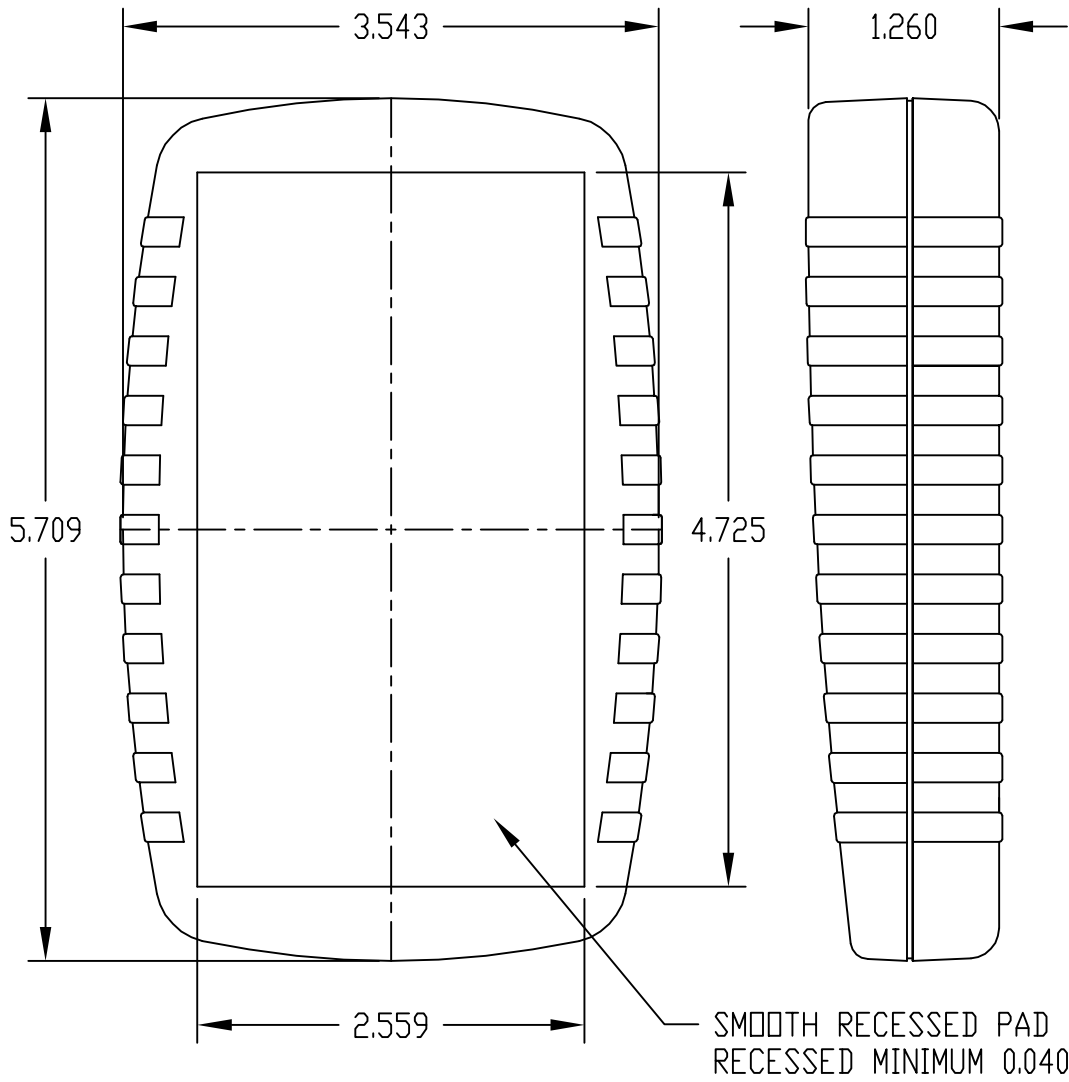
PART No.

HH-3580

REV. DATE

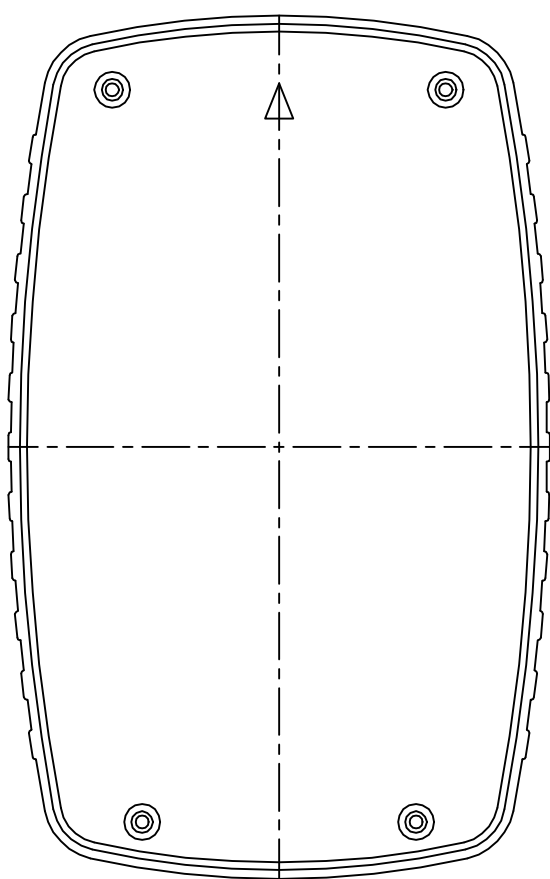
MATERIAL: HIGH IMPACT ABS WITH UL94V-0 FLAMMABILITY RATING
FINISH: TEXTURED BLACK

ALL DIMENSIONS HAVE ± 0.015 TOLERANCE
FOUR (4) M3 x 1/2" LG. FLAT HD. STAINLESS STEEL SCREWS SUPPLIED FOR ASSEMBLY

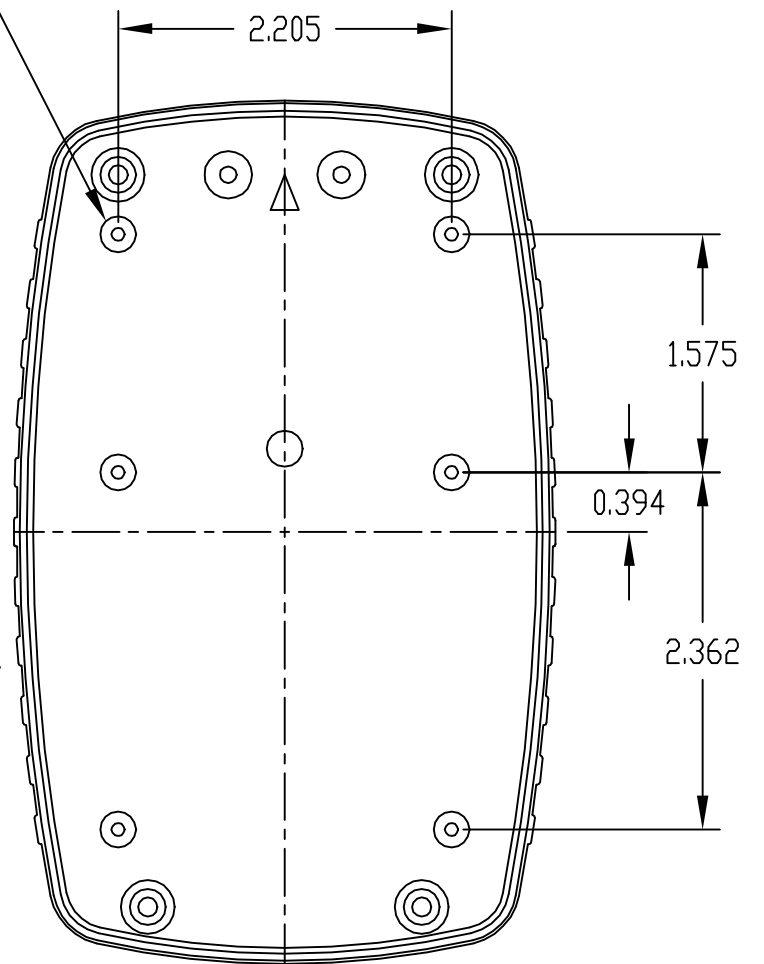
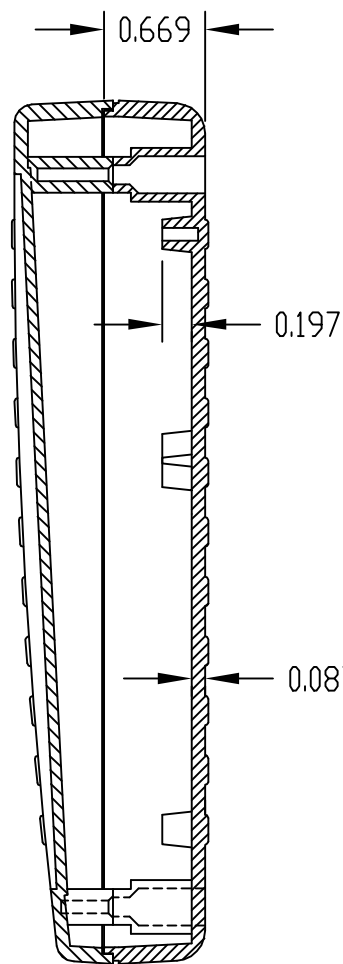


NOTE: MOUNTING BOSSES USE EITHER M2.5 METRIC OR #4 STD. SHEET METAL SCREWS x 3/16" LG. (NOT SUPPLIED)

0.236 DIA. BOSS WITH 0.087 DIA. HOLE (6) PLACES



INSIDE VIEW OF TOP



INSIDE VIEW OF BOTTOM

Mouser Electronics

Authorized Distributor

Click to View Pricing, Inventory, Delivery & Lifecycle Information:

[Bud Industries:](#)

[HH-3580-B](#)