

PLEASE CHECK WWW.MOLEX.COM FOR LATEST PART INFORMATION

Part Number: [5031515009](#)
Status: **Active**
Description: 0.50mm Pitch FFC-to-Board Connector, Plug Jacket Cover, 50 Circuits

Documents:

3D Model	Product Specification PS-501864-003-001 (PDF)
Drawing (PDF)	Application Specification 5017832000-A00 (PDF)
Product Specification PS-501786-003-001 (PDF)	Packaging Specification SPK-503151-001-001 (PDF)
Product Specification PS-501786-004-001 (PDF)	RoHS Certificate of Compliance (PDF)

General

Product Family	Accessories
Series	503151
Comments	Requires a custom FFC with notches
Component Type	Jacket Cover
Product Name	N/A
UPC	883906043346

Physical

Circuits (Loaded)	50
Circuits (maximum)	50
Color - Resin	Black
Gender	Plug
Material - Resin	Polyester
Net Weight	277.000/mg
Packaging Type	Bag
Polarized to Mating Part	Yes
Temperature Range - Operating	-40°C to +105°C

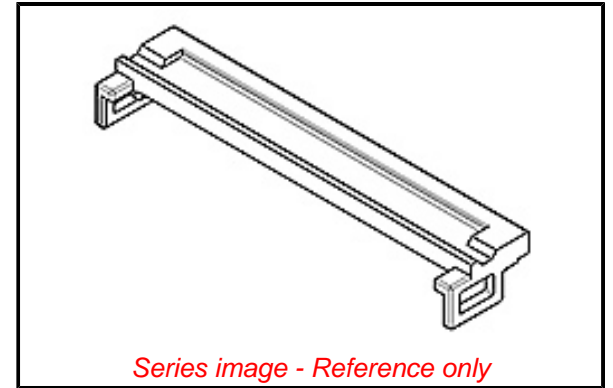
Electrical

Current - Maximum per Contact	0.5A
-------------------------------	------

Material Info

Reference - Drawing Numbers

Application Specification	5017832000-A00
Packaging Specification	SPK-503151-001-001
Product Specification	PS-501786-003-001, PS-501786-004-001, PS-501864-003-001
Sales Drawing	SD-503151-001



EU ELV

Not Relevant

EU RoHS

Compliant

REACH SVHC

Not Contained Per
-ED/01/2018 (15
January 2018)

Halogen-Free

Status

Not Low-Halogen

Need more information on product environmental compliance?

Email productcompliance@molex.com
Please visit the [Contact Us](#) section for any non-product compliance questions.

China ROHS

ELV

RoHS Phthalates

Green Image

Not Relevant

Not Contained

Search Parts in this Series

[503151](#) Series

Use With

[501786](#) FFC-to-Board Connector, [501864](#)
FFC-to-Board Connector, [503150](#) Plug
Jacket

Mouser Electronics

Authorized Distributor

Click to View Pricing, Inventory, Delivery & Lifecycle Information:

[Molex:](#)

[503151-5009](#)