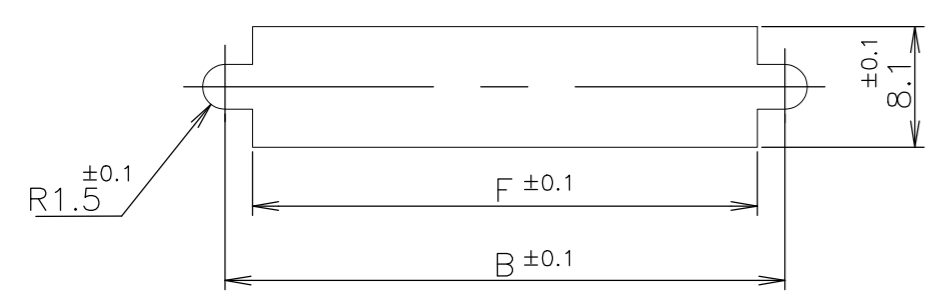
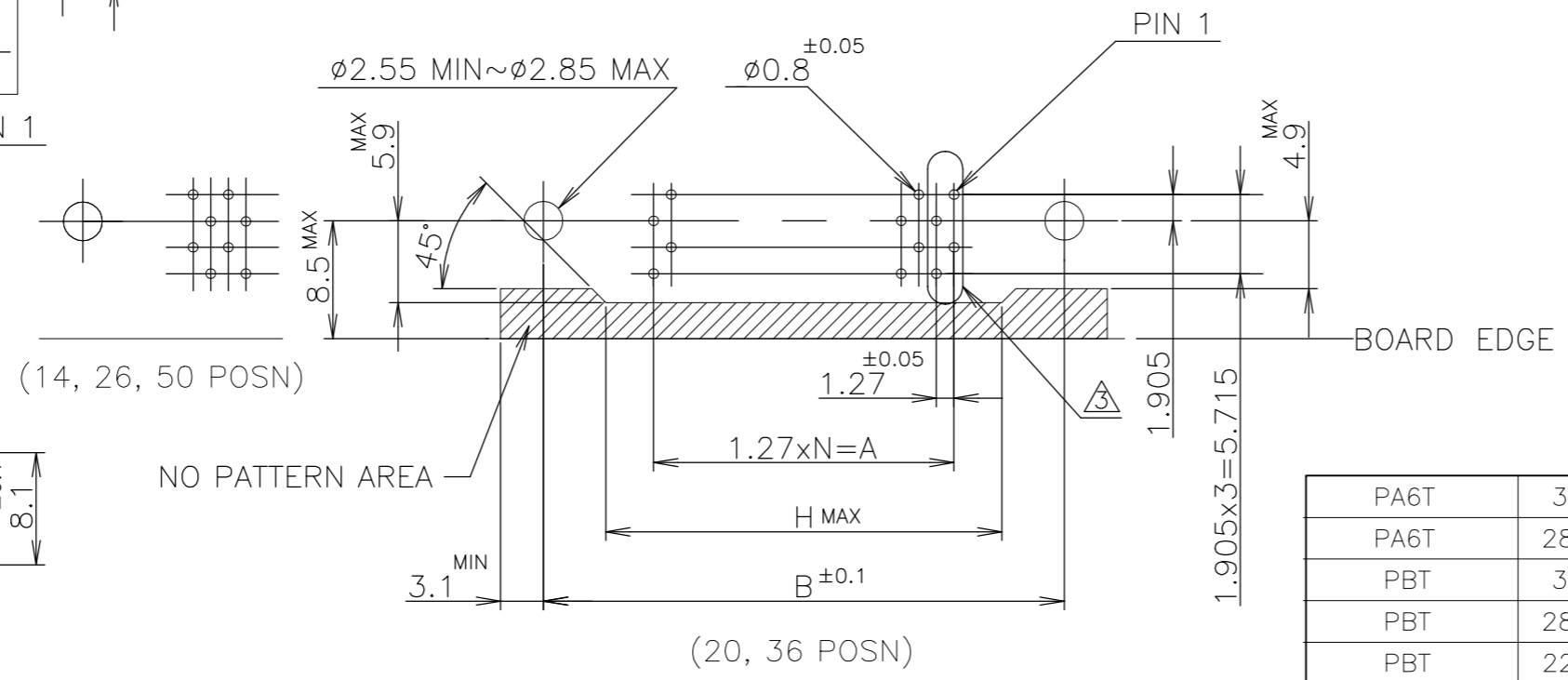
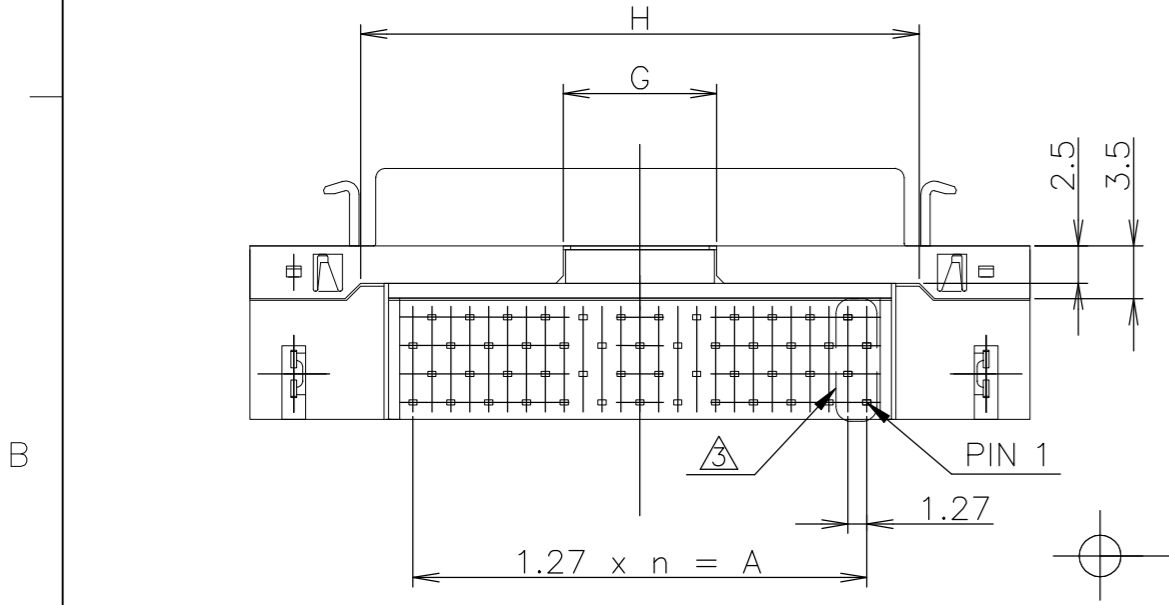
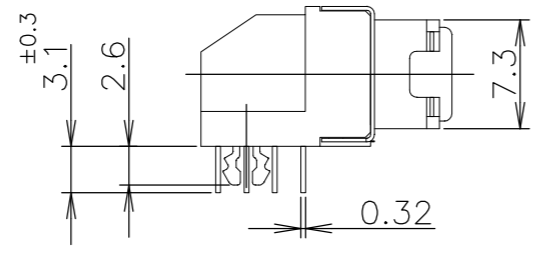
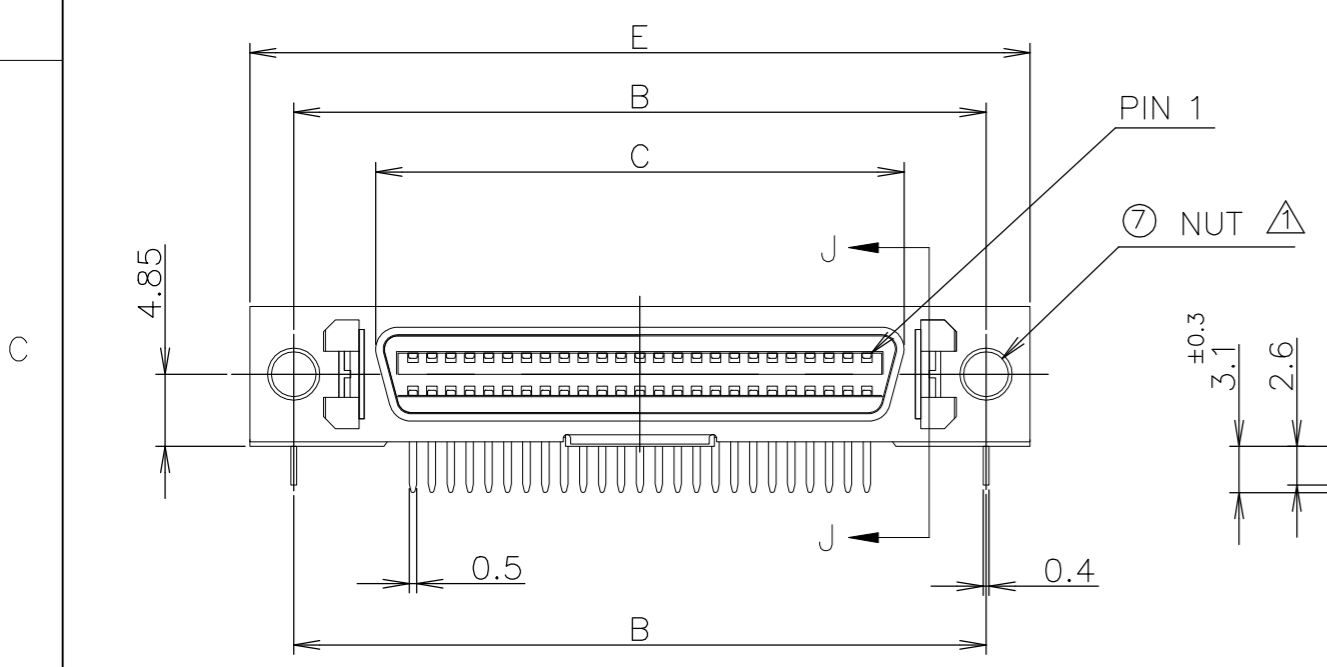
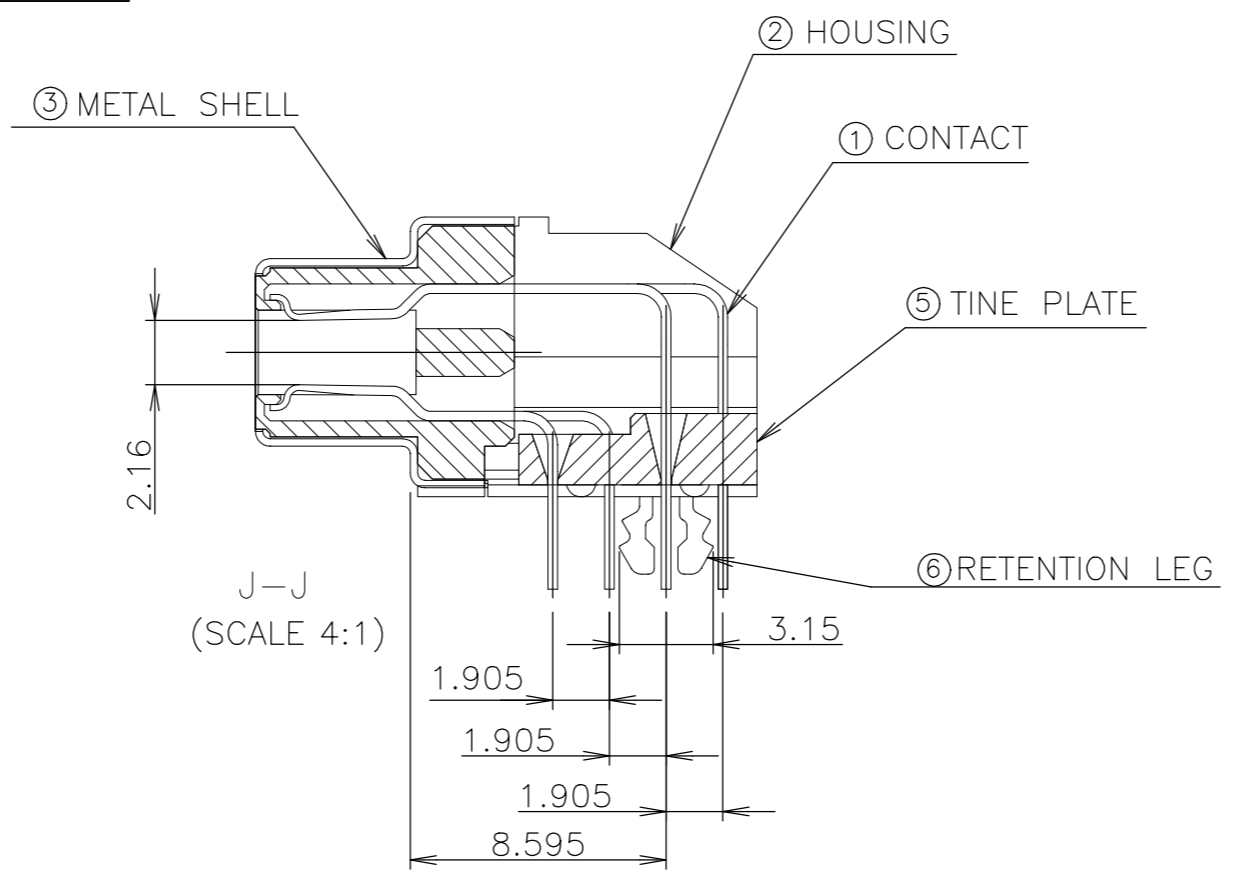
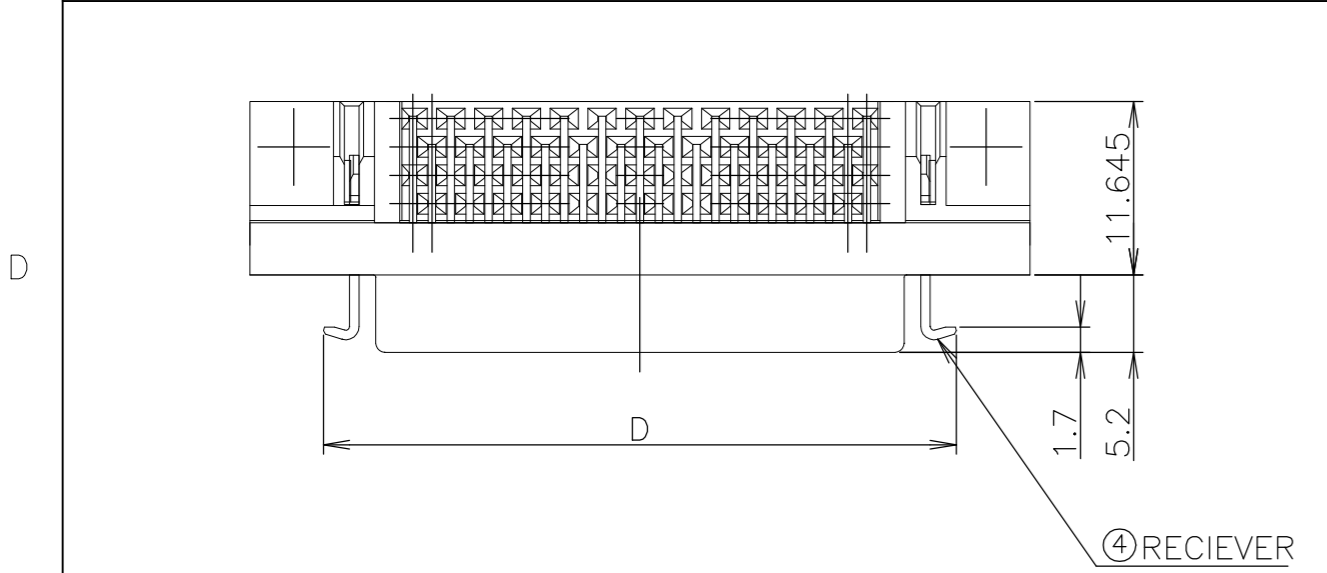


REVISIONS				
P	LTR	DESCRIPTION	DATE	DWN / APVD
R		REVISED PER ECO-17-008763	23JAN2018	RG / SH



RECOMENDED PANEL CUTOUT
THK,2mm MAX

RECOMENDED PC BOARD
MOUNTING DIMMENSION
COMPONENT SIDE

ITEM	(MATERIAL)	(FINISH)
①	COPPER ALLOY	NICKEL UNDER PLATE ALL OVER CONTACT AREA : Au(0.0001) SOLDER TINE AREA ; TIN PLATE
② ⑤	PBT OR PA6T	COLOR : PBT BLACK PA6T NATURAL
③	STEEL THK0.25	NICKEL PLATE OVER COPPER UNDERPLATE
④	STAINLESS STEEL	
⑥	COPPER ALLOY	NICKEL UNDER PLATE ALL OVER. TIN PLATING ALL OVER.
⑦	STEEL	NICKEL PLATE OVER COPPER UNDERPLATE

△ RECOMMENDED SCREW SIZE ; M2.6 PANHEAD SCREW.(L=5)
2 RECOMMENDED P.C BOARD THICKNESS ; 1.6mm±0.15
△ POST PATTERN AS SHOWN ON THIS END FOR ALL POSITION.

LEAD FREE

PA6T	37.5	10.3	42.8	52.40	42.50	35.48	46.50	30.48	24	50	1-5917738-7
PA6T	28.61	8.3	33.9	43.51	33.61	26.59	37.61	21.59	17	36	1-5917738-5
PBT	37.5	10.3	42.8	52.40	42.50	35.48	46.50	30.48	24	50	5917738-7
PBT	28.61	8.3	33.9	43.51	33.61	26.59	37.61	21.59	17	36	5917738-5
PBT	22.26	8.3	27.6	37.16	27.26	20.24	31.26	15.24	12	26	5917738-4
OBSOLETE	PBT	18.45	8.3	23.8	33.35	23.45	27.45	11.43	9	20	5917738-2
OBSOLETE	PBT	14.64	8.3	19.9	29.54	19.64	23.64	7.62	6	14	5917738-1
HSG MAT'L	H	G	F	E	D	C	B	A	N	POSITION	PART NO.

THIS DRAWING IS A CONTROLLED DOCUMENT.

DIMENSIONS: 单位: 毫米 mm

TOLERANCES UNLESS OTHERWISE SPECIFIED: 一般公差

0 PLC ± 0.2
1 PLC ± 0.2
2 PLC ± 0.2
3 PLC ± 0.2
4 PLC ± 0.2
ANGLES ± 3'

MATERIAL 材料 SEE TABLE

FINISH 仕上 SEE TABLE

DWN LEO ZHOU 30NOV04
CHK STEVEN YAO 30NOV04
APVD L ENOMOTO 30NOV04

NAME 名称
LENOMOTO
PRODUCT SPEC 製品規格
APPLICATION SPEC 取付適用規格

WEIGHT

CUSTOMER DRAWING

SCALE 尺度 2:1

SHEET 1 of 1

REV R

TE Connectivity Ltd.

CHAMP.050 SERIES (II)
FMS-TYPE

SIZE A2 CAGE CODE 00779 DRAWING NO 5917738

RESTRICTED TO

Mouser Electronics

Authorized Distributor

Click to View Pricing, Inventory, Delivery & Lifecycle Information:

[TE Connectivity:](#)

[5917738-1](#)