

PLEASE CHECK WWW.MOLEX.COM FOR LATEST PART INFORMATION

Part Number: **5023861470**
Status: **Active**
Description: 1.25 W/B Sgl R/A Rec Assy 14CktEmbsTpPkg

Documents:

3D Model	Application Specification AS-502380-002-001 (PDF)
Drawing (PDF)	Packaging Specification SPK-502386-001-001 (PDF)
Product Specification PS-502382-001-001 (PDF)	RoHS Certificate of Compliance (PDF)

Agency Certification

UL E29179

General

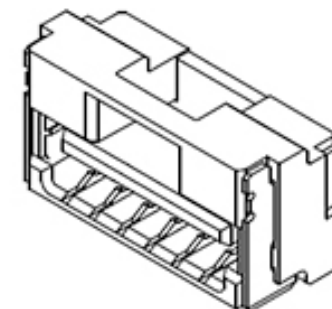
Product Family	PCB Receptacles
Series	502386
Application	Signal, Wire-to-Board
Data Load Status	Collected FY08-Verified FY08
Doc Info - Component	E-502386-002_A, E-502386-003_A, PS-502382-001_C, RPS-502382-003_A, SD-502386-001_B, SD-502386-002_B, SD-502386-003_B, SPK-502386-001_A

Made From	5023841409, 5023850028, 5023870028
Product Name	CLIK-Mate
UPC	822350895798

Physical

Circuits (Loaded)	14
Circuits (maximum)	14
Color - Resin	Natural
Durability (mating cycles max)	30
Glow-Wire Capable	No
Guide to Mating Part	Yes
Keying to Mating Part	Yes
Lock to Mating Part	Yes
Mated Height	5.55mm
Material - Metal	Copper Alloy
Material - Plating Mating	Tin
Material - Plating Termination	Tin
Material - Resin	High Temperature Thermoplastic
Net Weight	599.201/mg
Number of Rows	1
Orientation	Right Angle
PCB Locator	No
PCB Retention	Yes
Packaging Type	Embossed Tape on Reel
Pitch - Mating Interface	1.25mm
Pitch - Termination Interface	1.25mm
Plating min - Mating	1.016µm
Plating min - Termination	1.016µm
Polarized to Mating Part	Yes
Polarized to PCB	No
Stackable	No
Surface Mount Compatible (SMC)	Yes
Temperature Range - Operating	-40°C to +105°C
Termination Interface: Style	Surface Mount

Electrical



Series image - Reference only

EU ELV

Not Relevant

EU RoHS

Compliant

REACH SVHC

Not Contained Per
-ED/01/2018 (15
January 2018)

Halogen-Free

Status

Not Low-Halogen

Need more information on product environmental compliance?

Email productcompliance@molex.com
Please visit the [Contact Us](#) section for any non-product compliance questions.

China ROHS	Green Image
ELV	Not Relevant
RoHS Phthalates	Not Contained

Search Parts in this Series

[502386](#) Series

Mates With

[502380](#) CLIK-Mate Housing

Current - Maximum per Contact
Voltage - Maximum

1.0A
50V AC (RMS)/DC

Material Info

Reference - Drawing Numbers

Application Specification

AS-502380-002-001

Packaging Specification

SPK-502386-001-001

Product Specification

PS-502382-001-001

Sales Drawing

SD-502386-002, SD-502386-003

This document was generated on 03/01/2018

PLEASE CHECK WWW.MOLEX.COM FOR LATEST PART INFORMATION

Mouser Electronics

Authorized Distributor

Click to View Pricing, Inventory, Delivery & Lifecycle Information:

[Molex:](#)

[502386-1470](#)