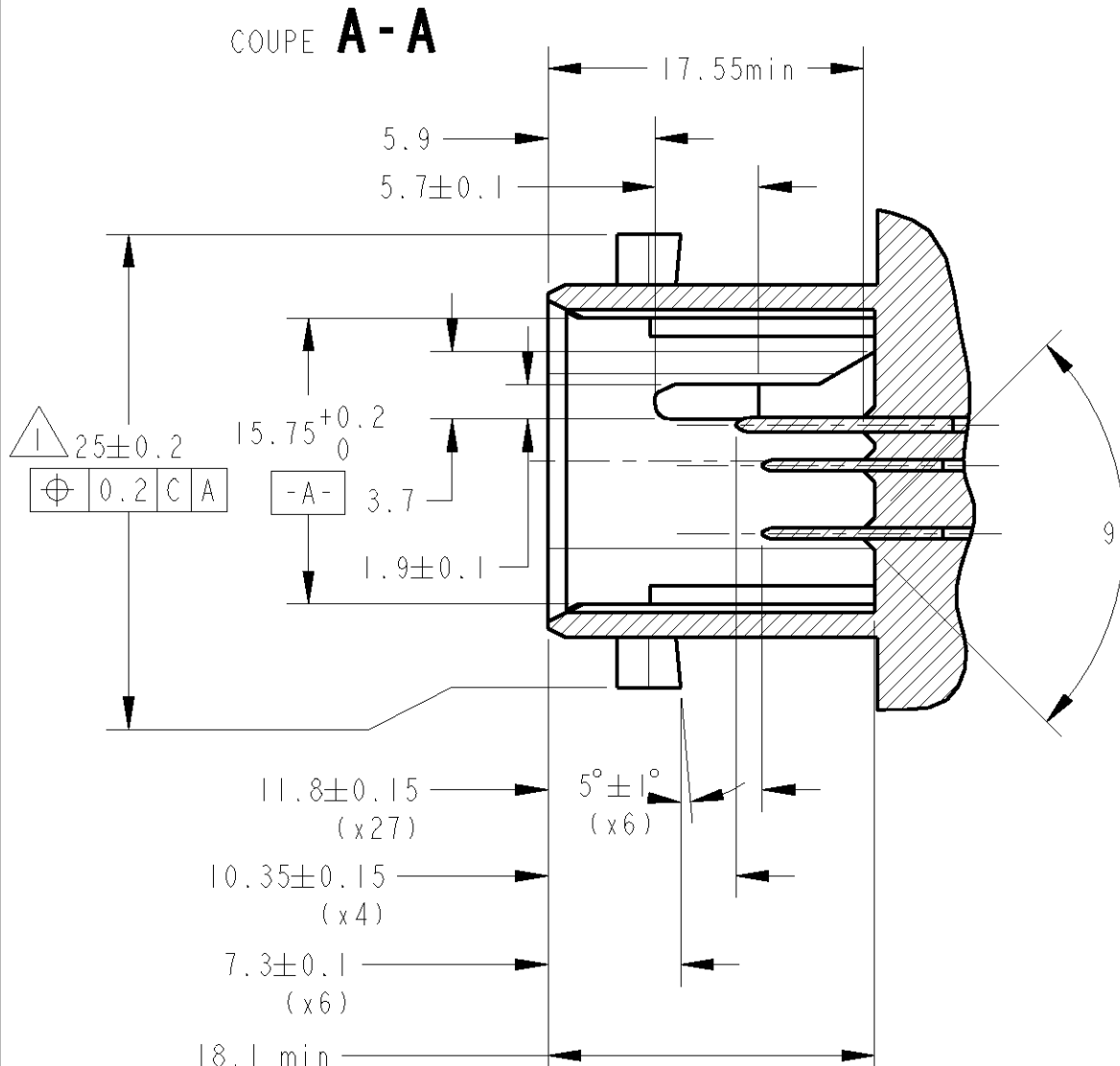
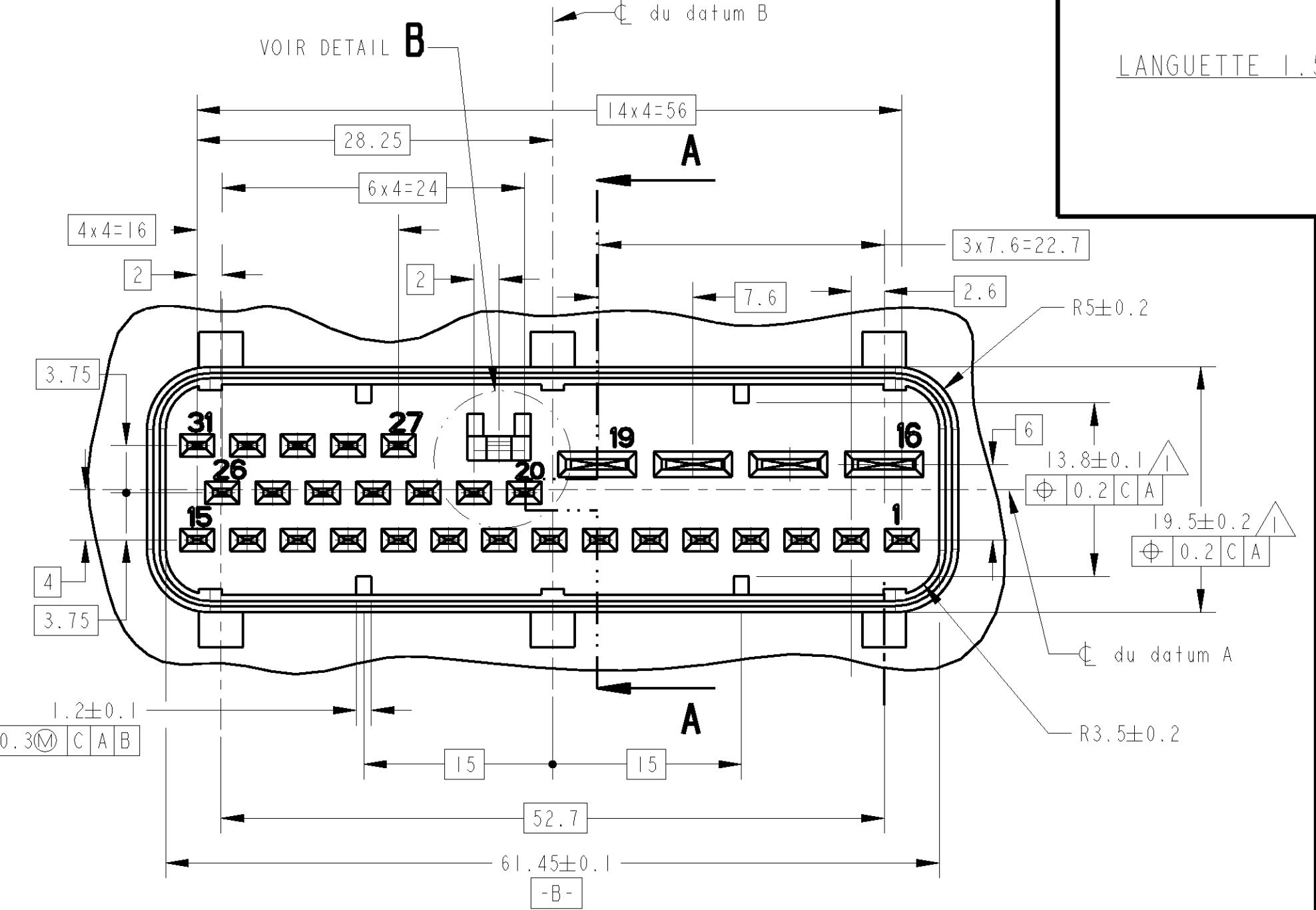
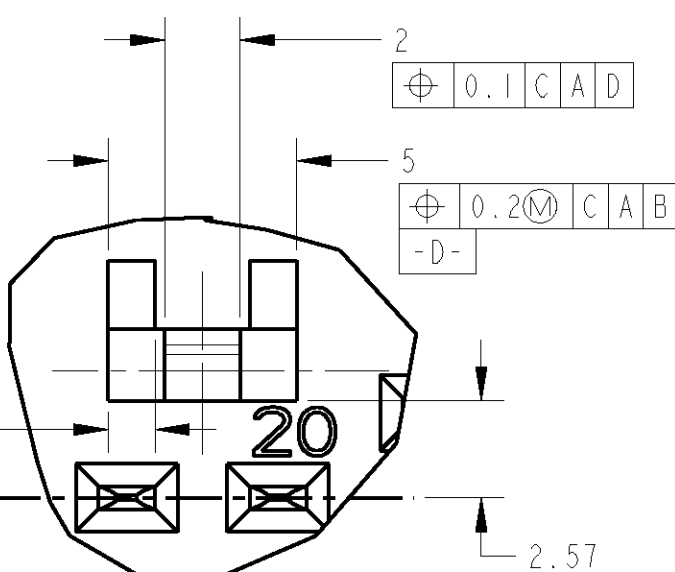
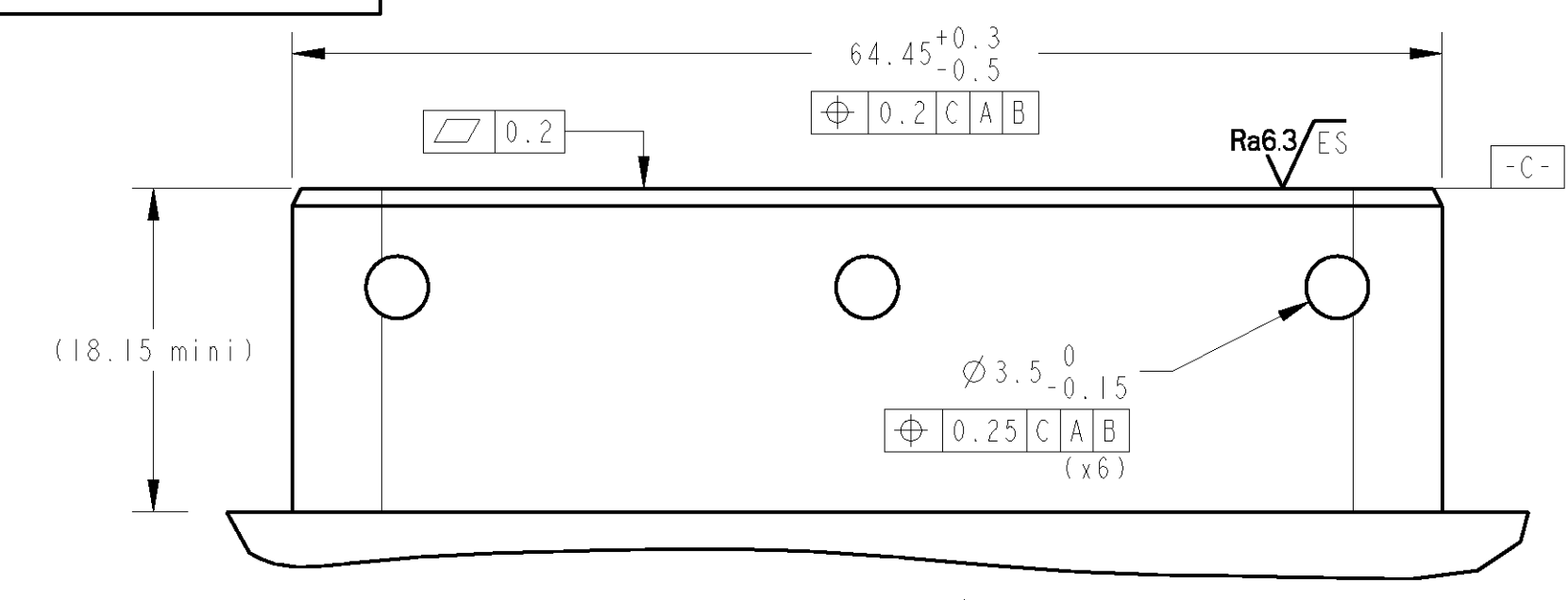
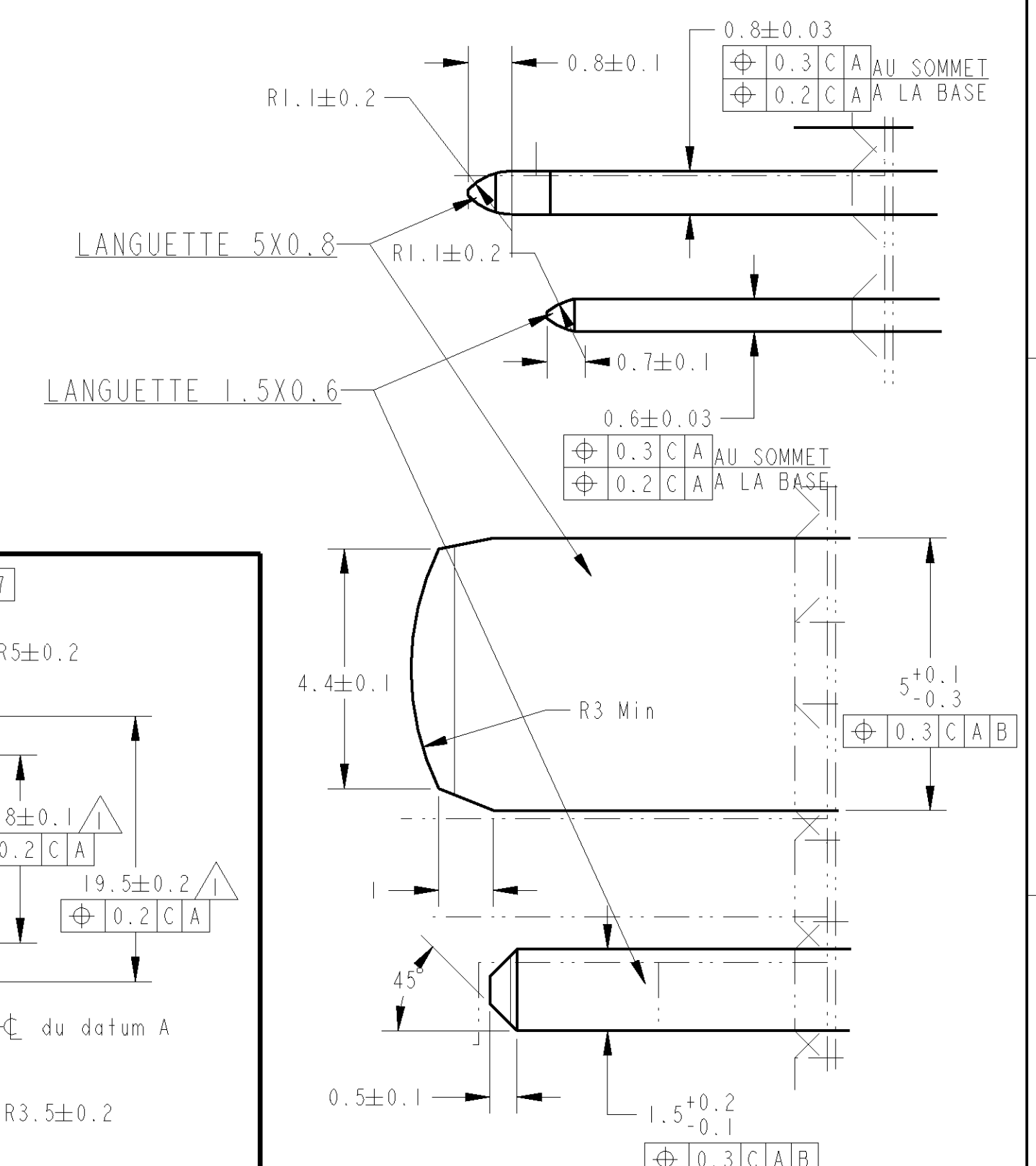


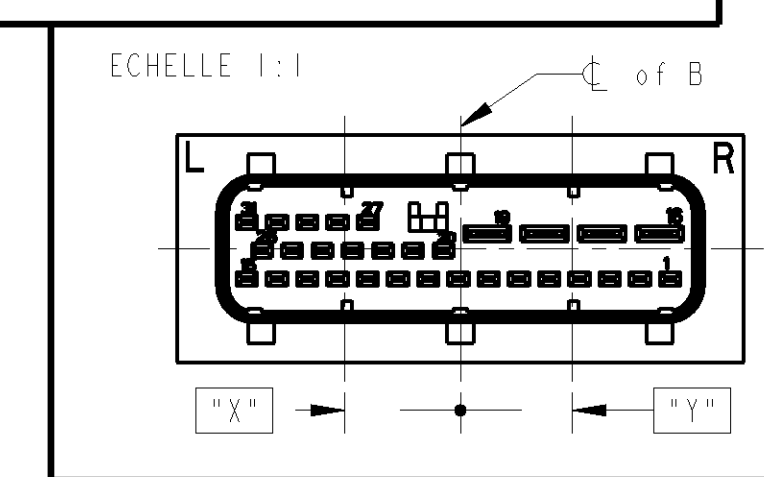
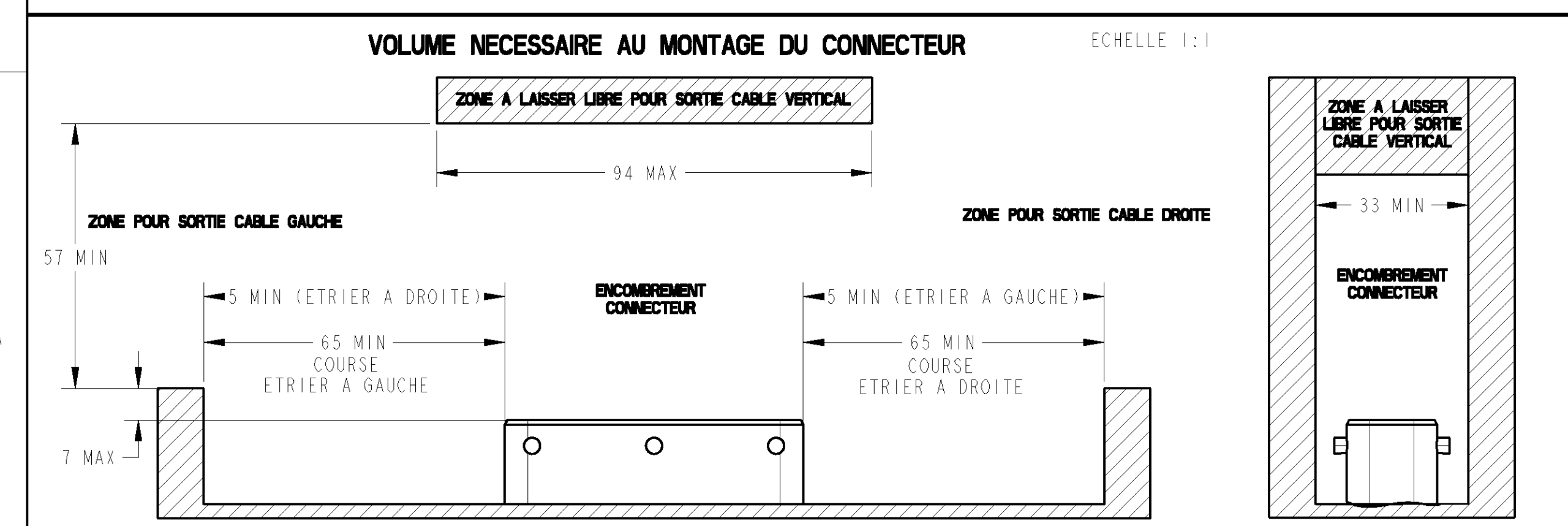
REVISONS		DATE	DWN DESS.	APVD APP.
P	LTR			
A1	REVISED PER ECO-11-005150	28APR11	RK	HMR

DETAIL DES LANGUETTES



TABEAU DES CODAGES

NUMERO	DIM*X"	DIM*Y"
NUMERO 8	14.1	10.65
NUMERO 7	14.1	12.95
NUMERO 6	14.1	15.25
NUMERO 5	14.1	17.55
NUMERO 4	16.4	10.65
NUMERO 3	16.4	12.95
NUMERO 2	16.4	15.25
NUMERO 1	16.4	17.55
NUMERO 0	PAS DE DETROMPAGE	
CODAGE	DIM*X"	DIM*Y"



DIMENSIONS: mm	TOLERANCES UNLESS OTHERWISE SPECIFIED: TOLERANCES NON SPECIFIEES (S'ILY A DE DECIMALES)	DWN / DESSINE: 12-Jan-98 A. DUPUIS	TE Connectivity
MATERIAL MATIERE: PBT 30% FV Alliage Cuivreux	ANGLES FINISH FINITION: ±0.5°	CHK / VERIFIE: J.P. PICAUD APVD / APPROUVE: J.J. REVII	
INTERFACE POUR CONNECTIQUE 31 VOIES TIMER HYBRIDE		PRODUCT SPEC SPEC. PRODUIT: N.A.	NAME TITRE:
CUSTOMER DRAWING / PLAN CLIENT		APPLICATION SPEC SPEC. APPLICATION: N.A.	SIZE FORMAT: A2
SCALE ECHELLE: ()		WEIGHT MASSE APPROX.: N.A.	DRAWING NO No PLAN: C-1801240
SHEET FEUILLE: OF DE:		CAGE CODE: 00779	RESTRICTED TO RESERVE A: -
REV: A1			

△ DEFORMATION DE 0.2 PERMISE

Mouser Electronics

Authorized Distributor

Click to View Pricing, Inventory, Delivery & Lifecycle Information:

[TE Connectivity:](#)

[953042-6](#)